

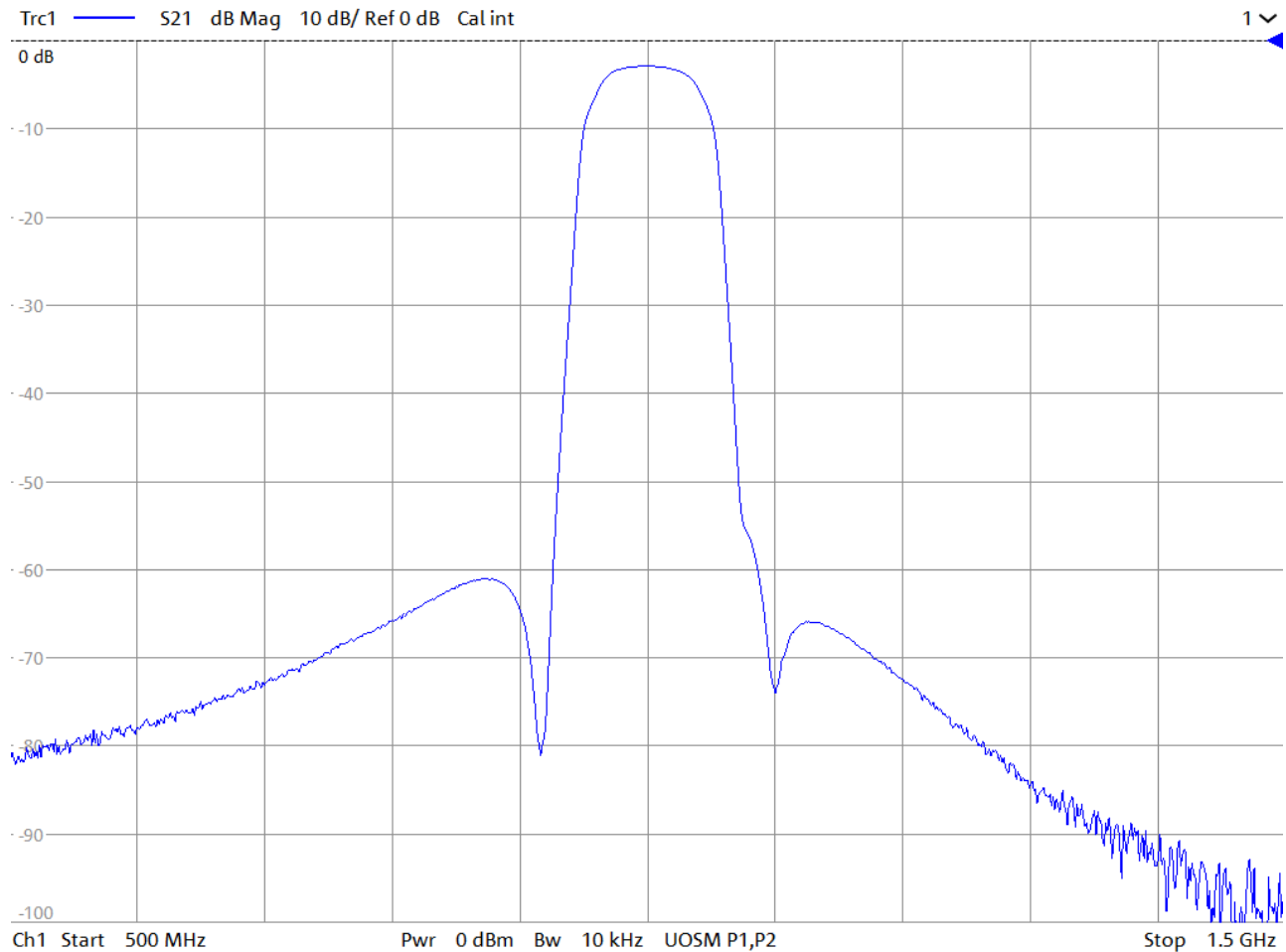
General Description

KR Electronics part number 3450-SMA is a 1000 MHz band-pass filter. The filter has a minimum 1 dB bandwidth of 50 MHz. Other center frequencies and bandwidths are available. Please consult the factory.

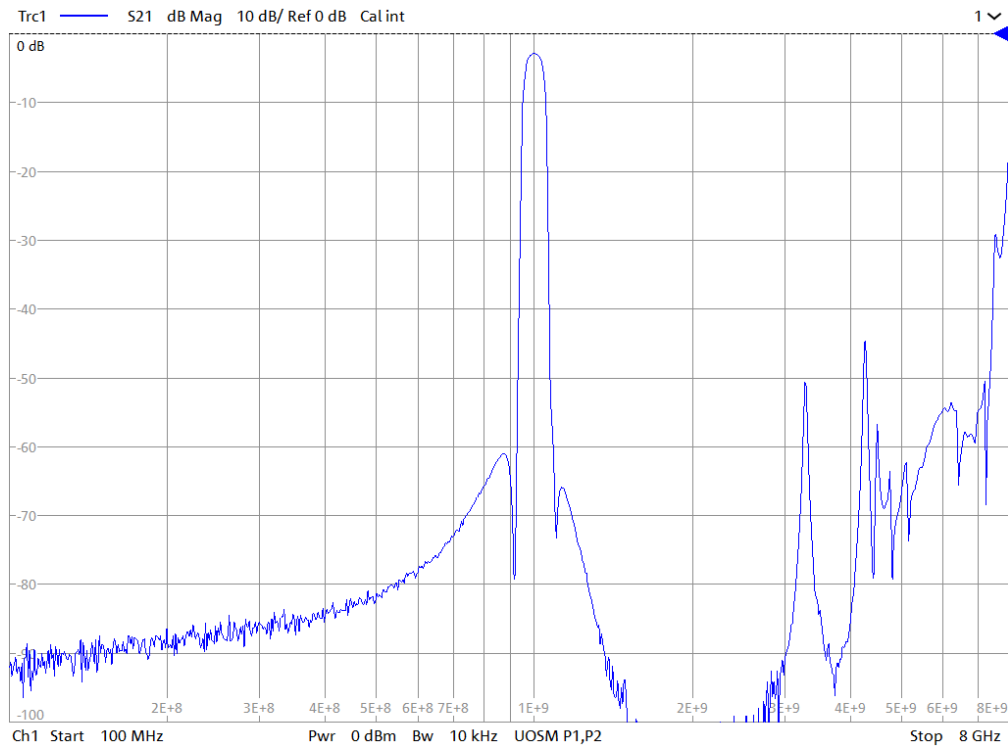
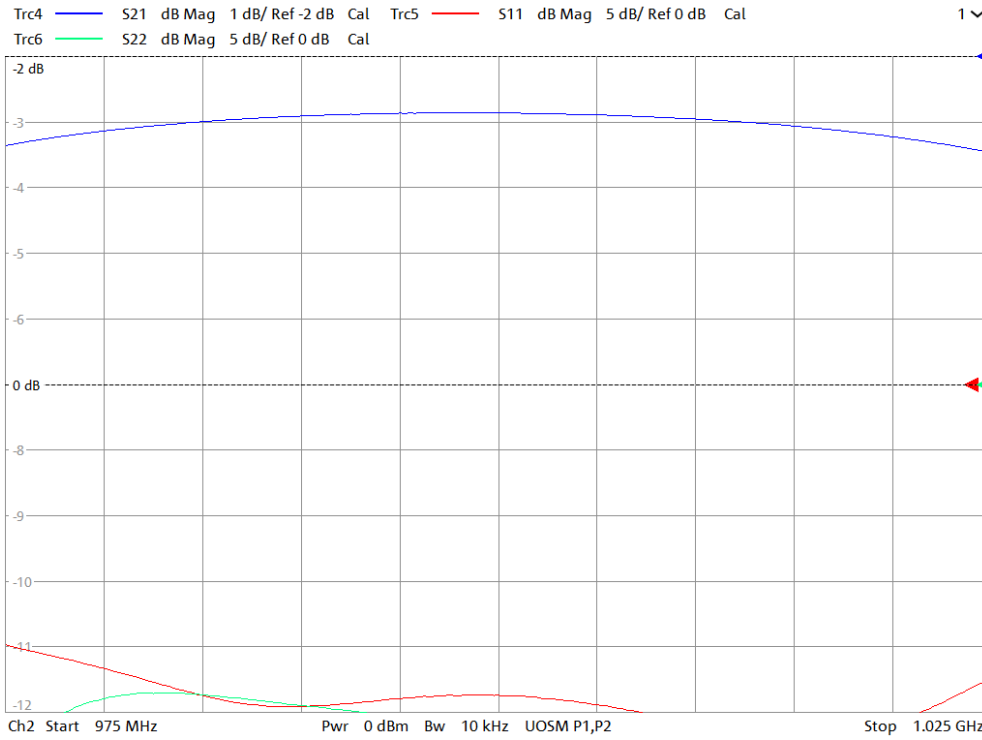
Features

- 1000 MHz Bandpass Filter
- Highly Selective Elliptic Type Filter
- 1 dB Bandwidth 50 MHz min
- 50 dB Bandwidth 145 MHz typical
- 50 Ω Source and Load
- SMA Connectors
- Surface Mount also available

Typical Performance



KR Electronics 3450-SMA

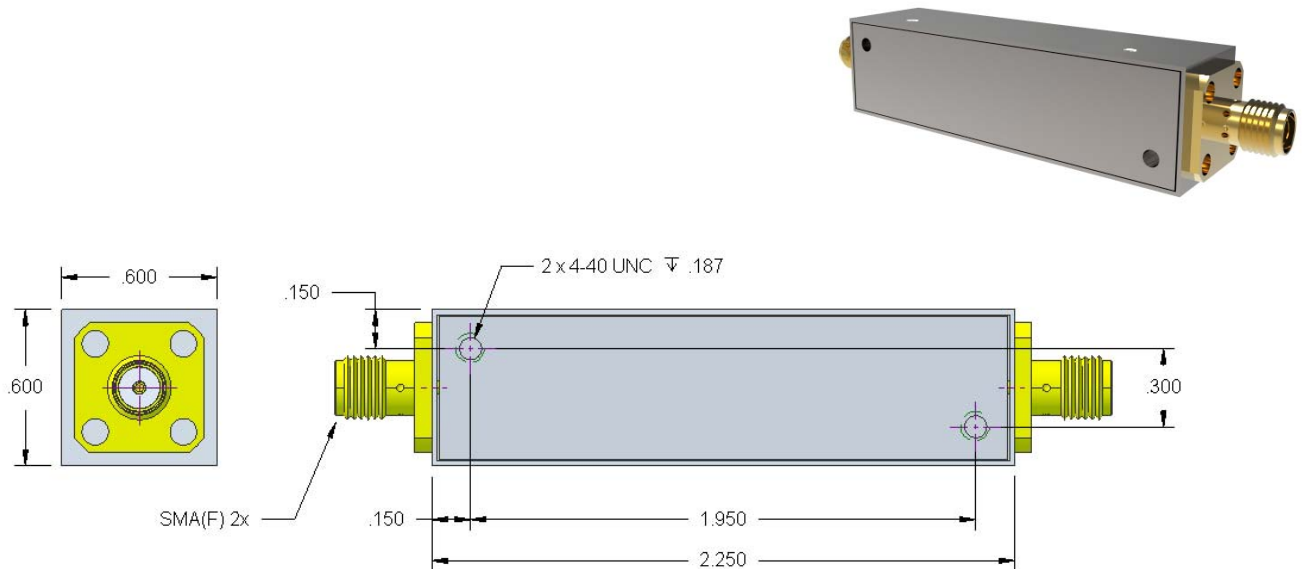


KR Electronics 3450-SMA

Specifications

Parameter	Specification	Notes
Filter type	Bandpass	
Center Frequency	1000 MHz	
Insertion Loss	3.5 dBa max	2.9 dBa typical
1 dB Bandwidth	50 MHz min	61 MHz typical
3 dB Bandwidth	80 MHz typical	
35 dB Bandwidth	140 MHz max	131 MHz typical
40 dB Bandwidth	135 MHz typical	
50 dB Bandwidth	144 MHz typical	
Source and Load	50 Ω	

Physical Dimensions



Notes:

1. Dimensions in inches
2. Metal Case
3. SMA(F) Connectors