

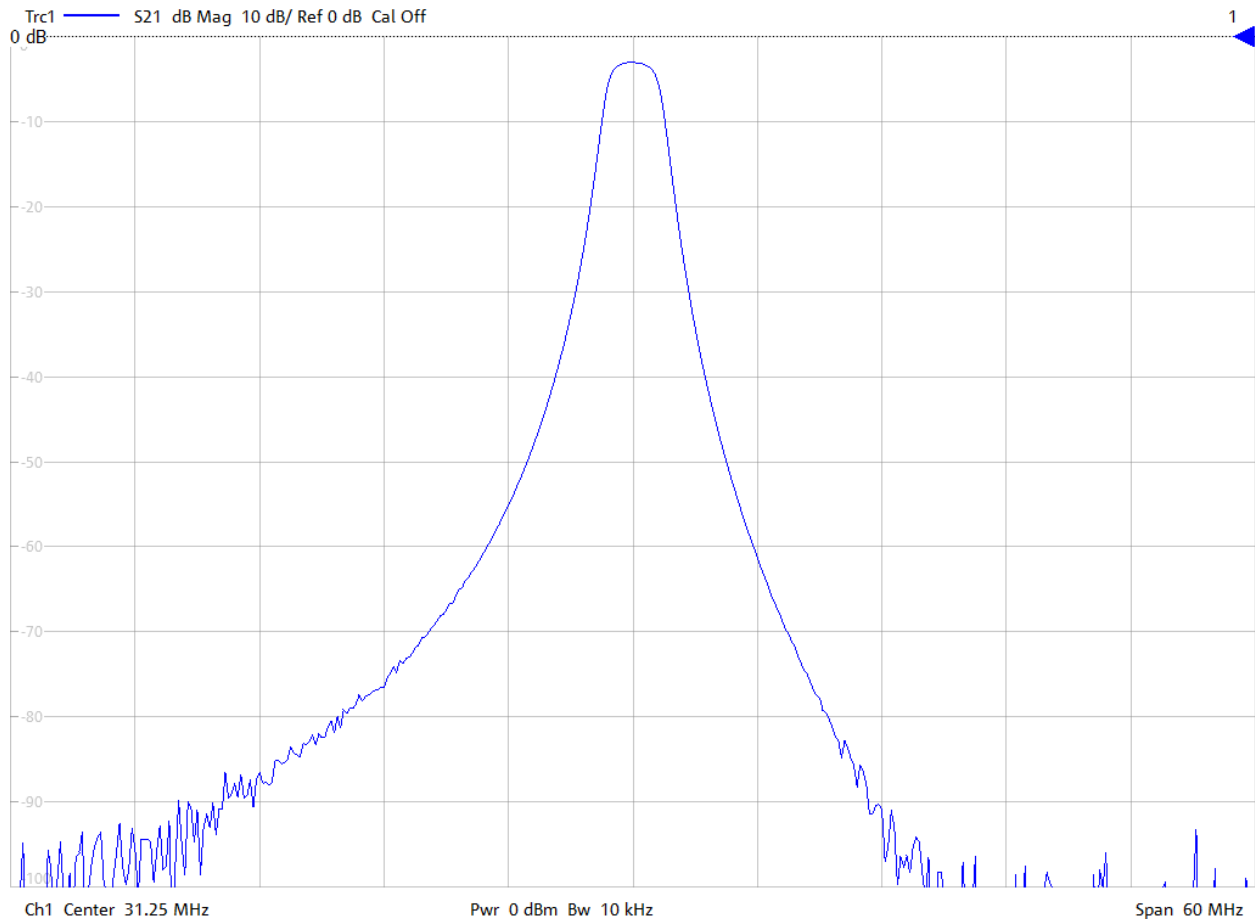
General Description

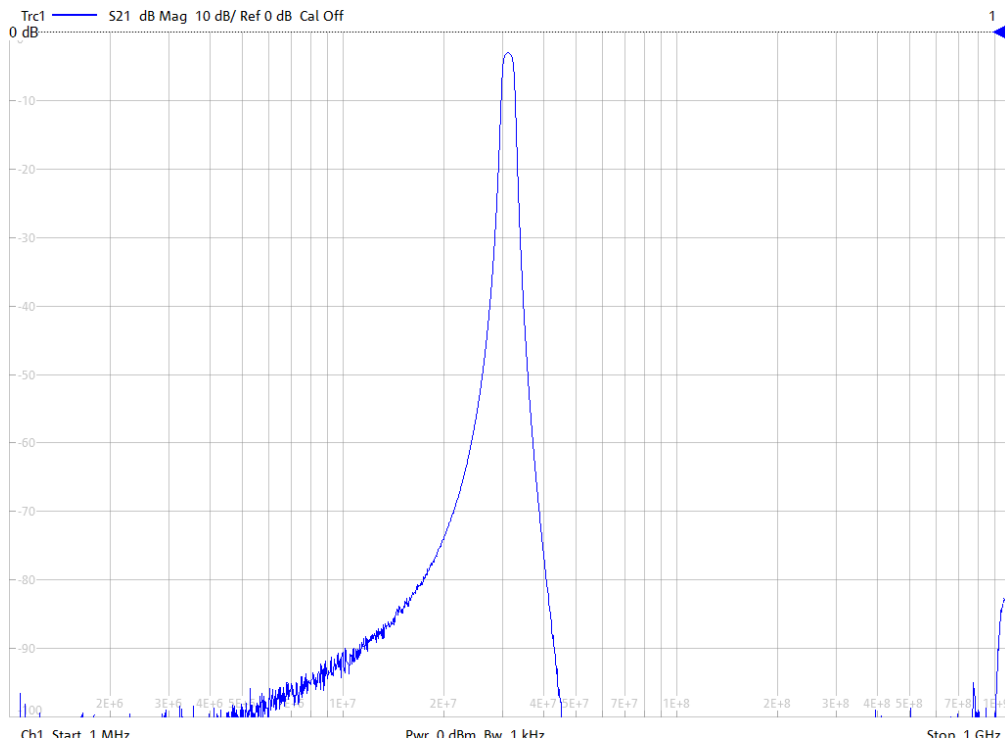
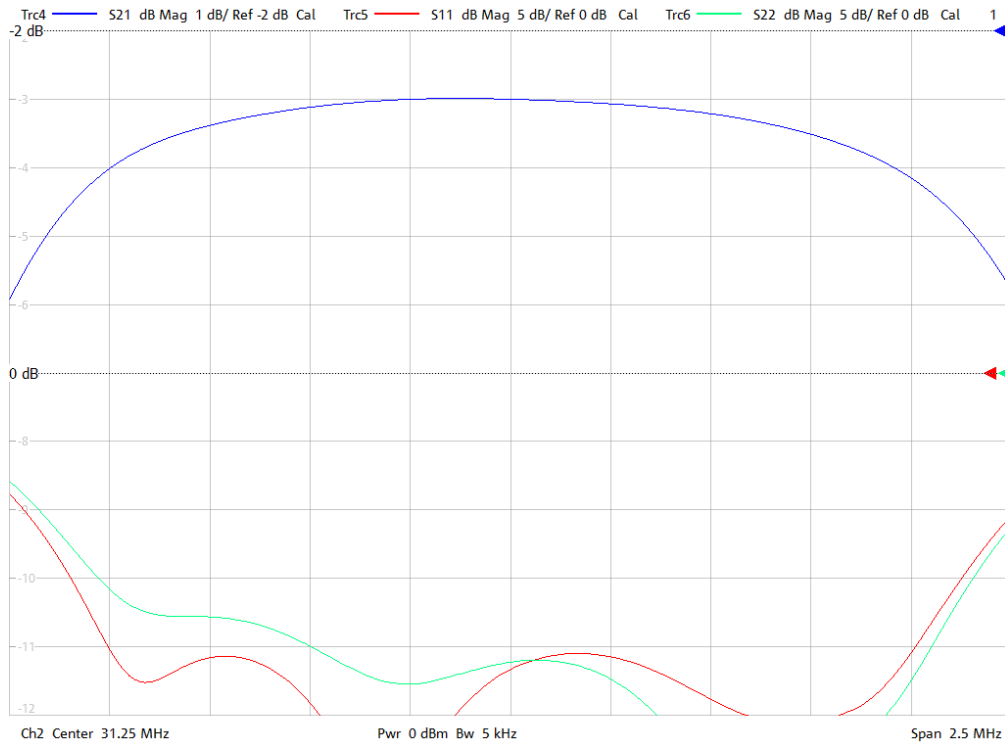
KR Electronics part number 3433-31.25-SMA is a 31.25 MHz bandpass filter. The filter has a typical 3 dB bandwidth of 2.5 MHz. Other center frequencies and are bandwidths available. Please consult the factory.

Features

- 31.25 MHz Bandpass
- 3 dB Bandwidth 2 MHz min
- 50 Ω Source and Load
- SMA Connectors

Typical Performance





KR Electronics, Inc.
91 Avenel Street
Avenel, NJ 07001

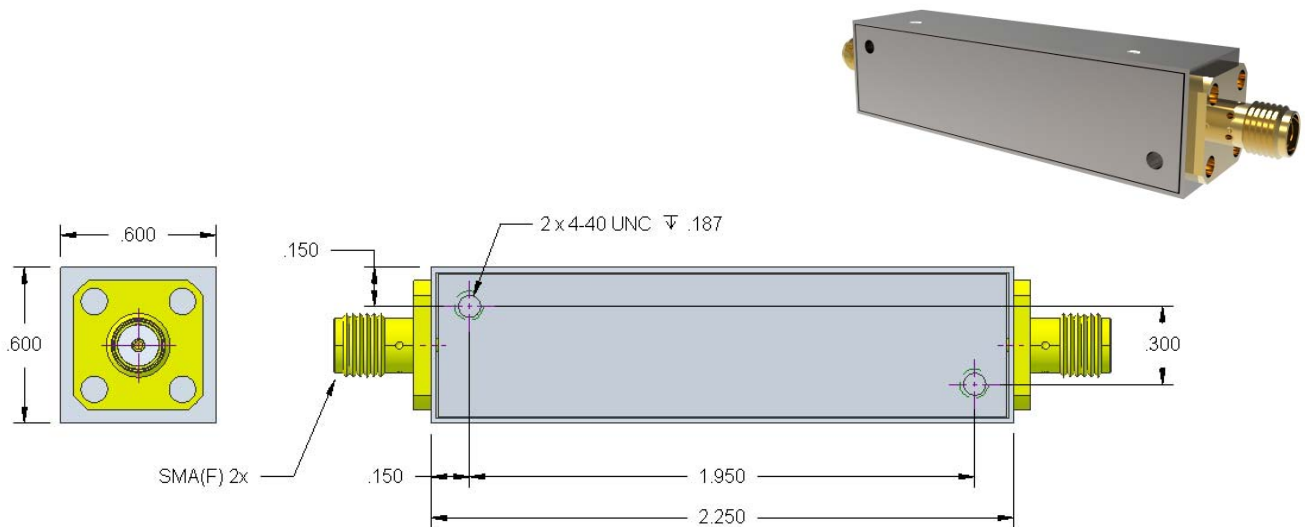
sales@krfilters.com
www.krfilters.com
(732) 636-1900

KR Electronics 3433-31.25-SMA

Specifications

Parameter	Specification	
Filter type	Bandpass	
Center Frequency	31.25 MHz	
Insertion Loss	3.25 dB max	
1 dB Bandwidth	1.9 MHz typical	
3 dB Bandwidth	2 MHz min	2.5 MHz typical
20 dB Bandwidth	4.5 MHz typical	
40 dB Bandwidth	7.9 MHz typical	
60 dB Bandwidth	14 MHz typical	
Source and Load	50 Ω	

Physical Dimensions



Notes:

1. Dimensions in inches
2. Metal Case
3. SMA(F) Connectors