

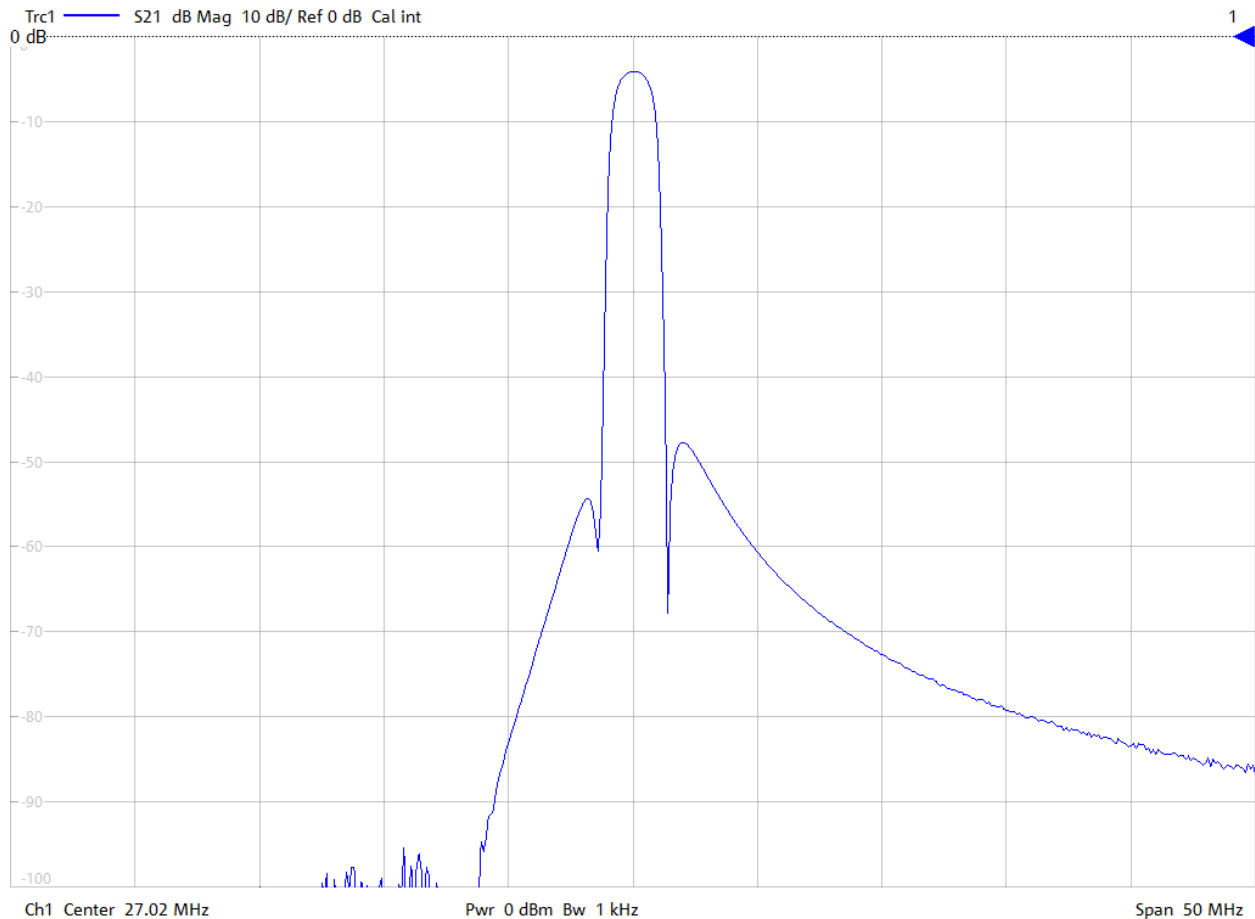
General Description

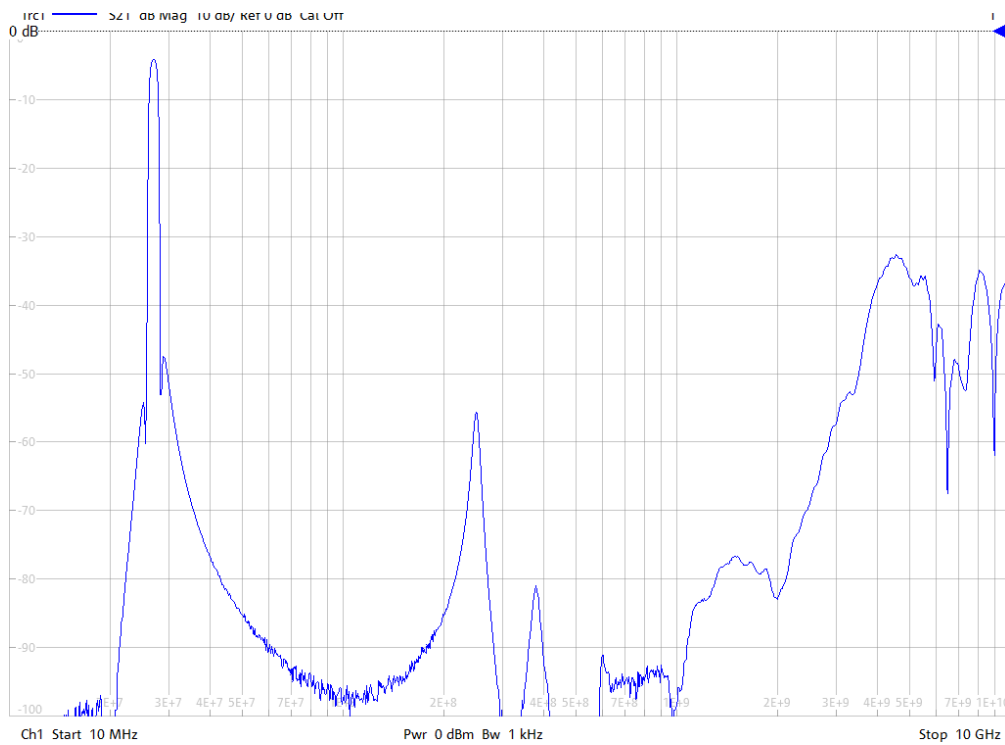
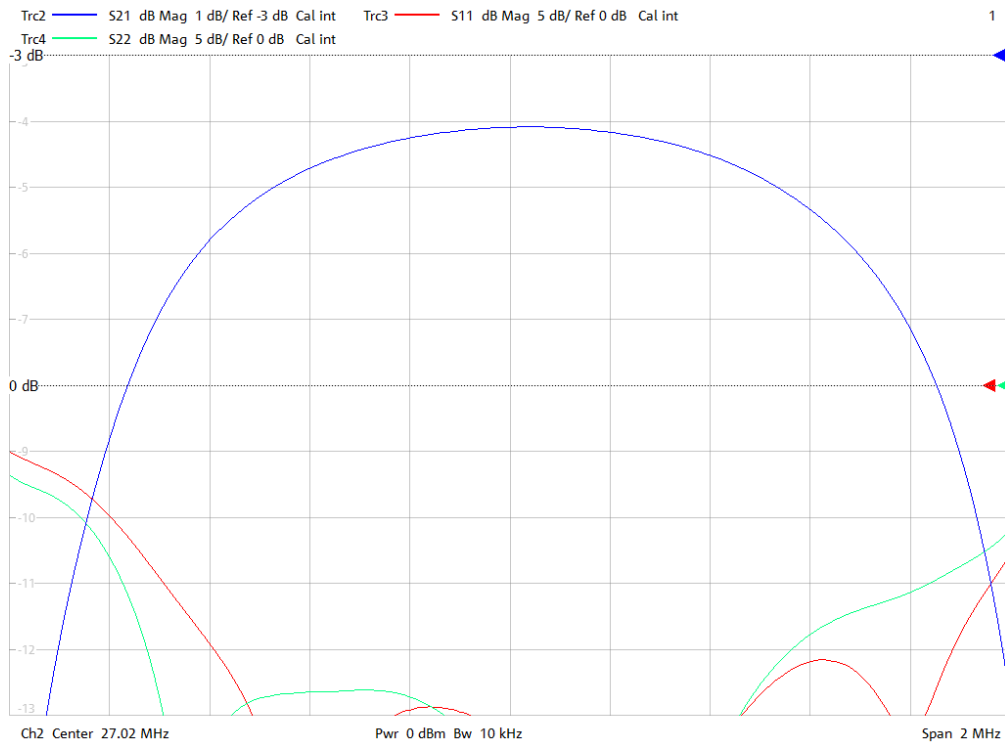
KR Electronics part number 3424-27-SMA is a 27 MHz band-pass filter. The filter has a typical 3 dB bandwidth of 1.5 MHz. Other center frequencies and are bandwidths available. Please consult the factory.

Features

- 27 MHz Bandpass
- 3 dB Bandwidth 1.5 MHz typical
- Selective Elliptic Type Design
- 50 Ω Source and Load
- SMA Connectors
- Surface Mount Available

Typical Performance



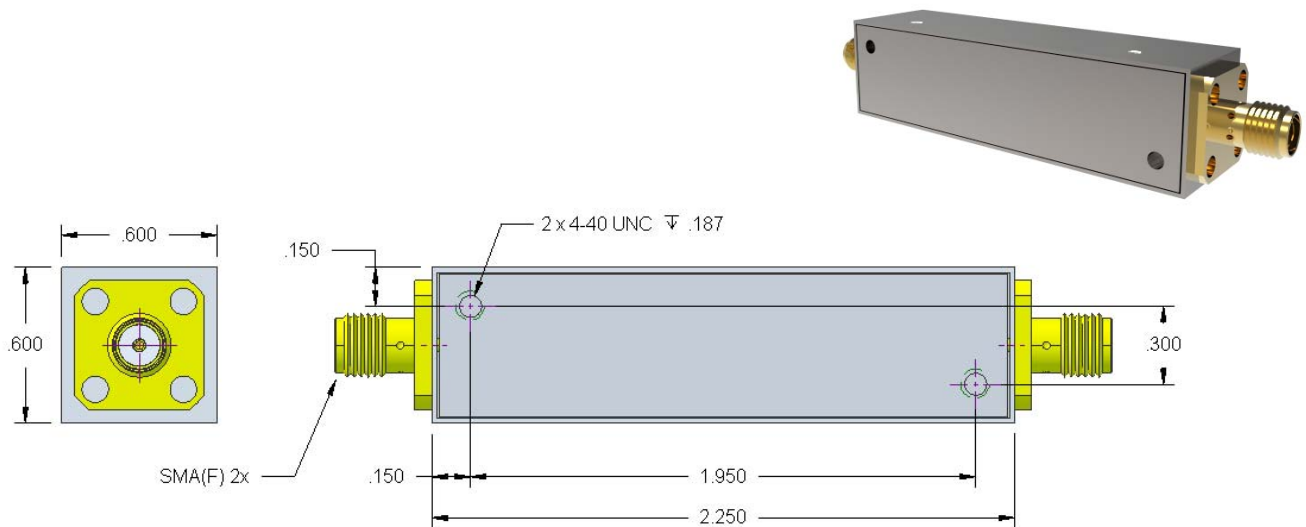


KR Electronics 3424-27-SMA

Specifications

Parameter	Specification
Filter type	Bandpass
Center Frequency	27 MHz
Insertion Loss	4.2 dB typical
1 dB Bandwidth	1 MHz typical
3 dB Bandwidth	1.5 MHz typical
20 dB Bandwidth	2.2 MHz typical
40 dB Bandwidth	2.5 MHz typical
40 dB Rejection maintained to	2 GHz min
Source and Load	50 Ω

Physical Dimensions



Notes:

1. Dimensions in inches
2. Metal Case
3. SMA(F) Connectors