

# KR Electronics, Inc.

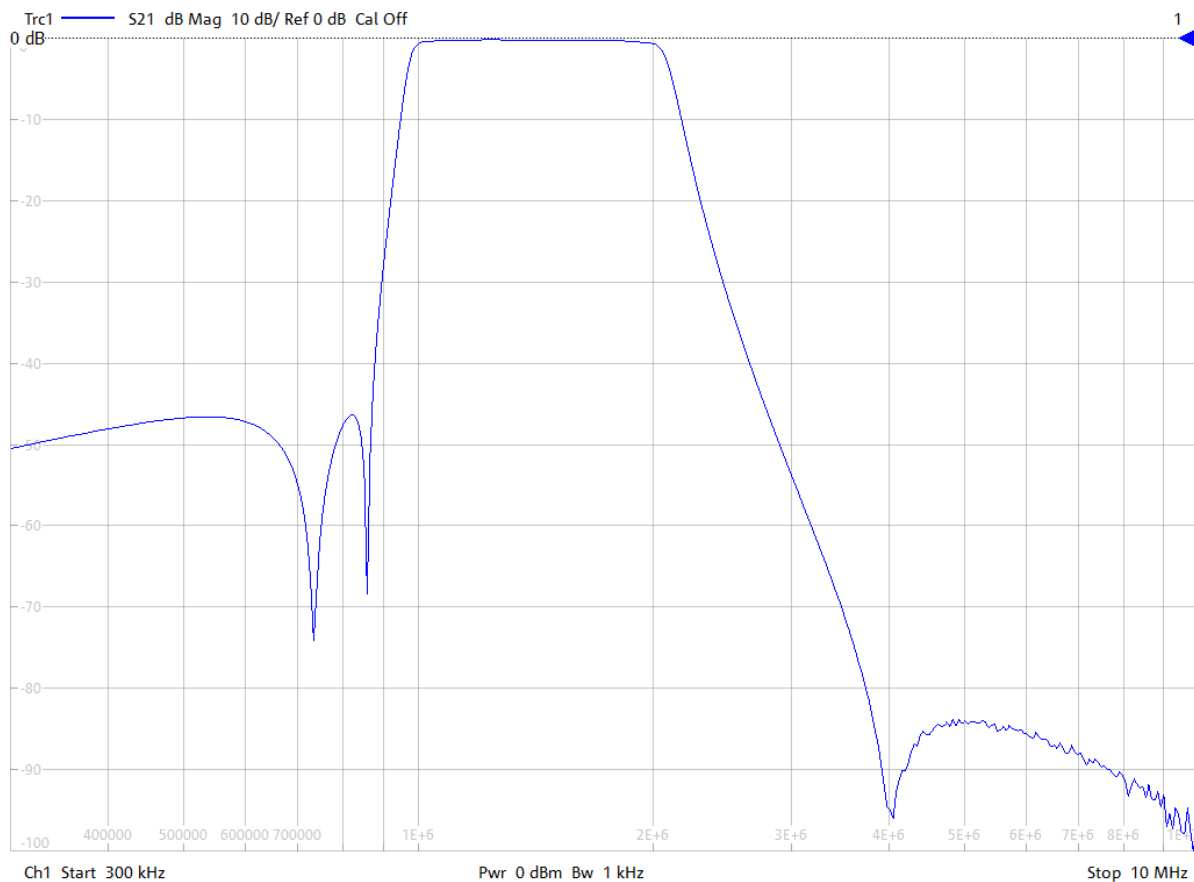
## General Description

KR Electronics part number 3423-1.5-BNC is a 1.5 MHz band-pass filter. The filter has a 1 MHz bandwidth and sharp transition to the stopband. Other frequencies are available. Please consult the factory.

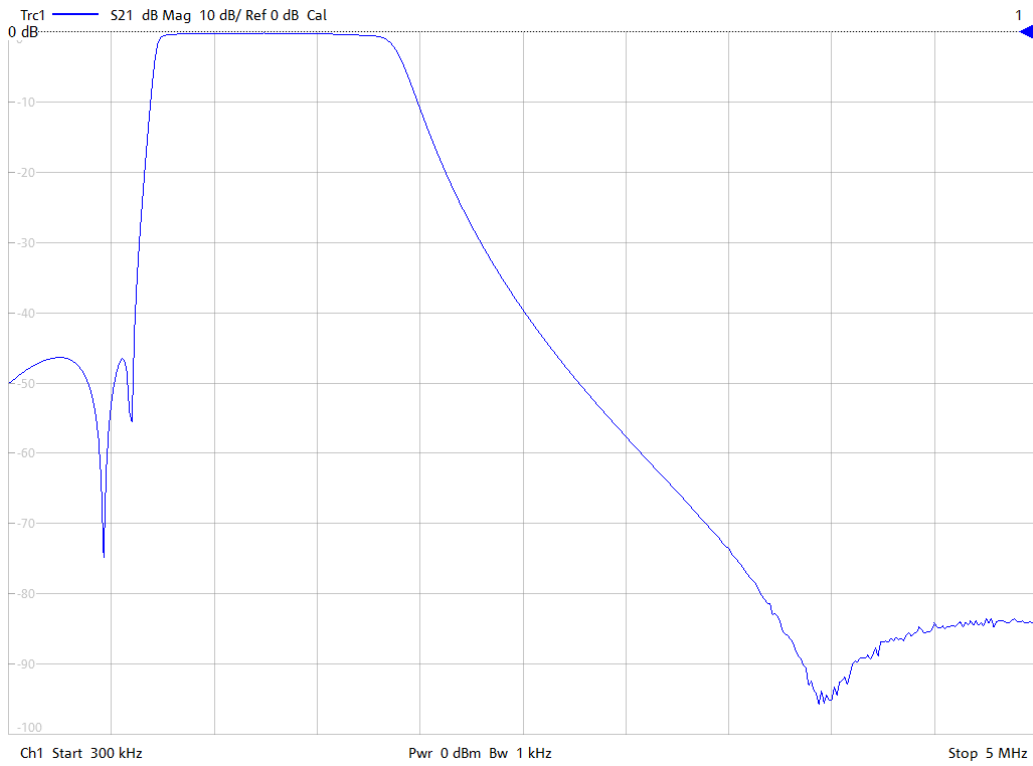
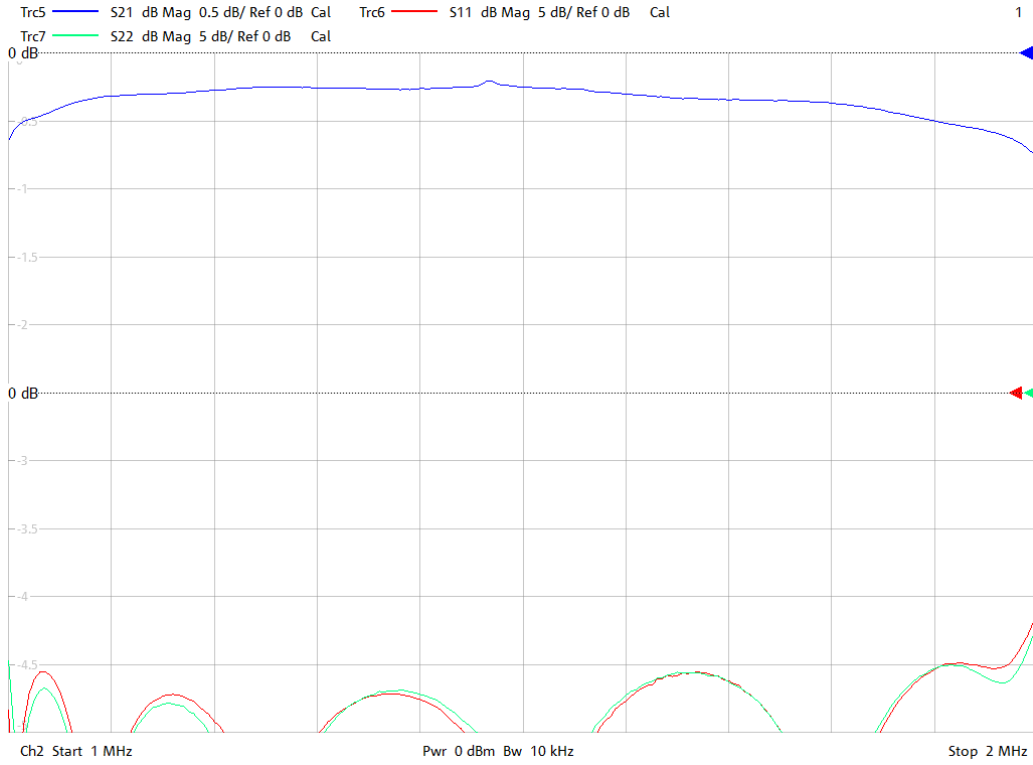
## Features

- 1.5 MHz Bandpass Filter
- 1.5 dB Bandwidth 1 MHz min
- 40 dB min at 870 KHz
- 60 dB min at 4 MHz
- Sharp Elliptic Type Filter
- 50  $\Omega$  Source and Load
- BNC Connectors In/Out

## Typical Performance



# KR Electronics 3423-1.5-BNC

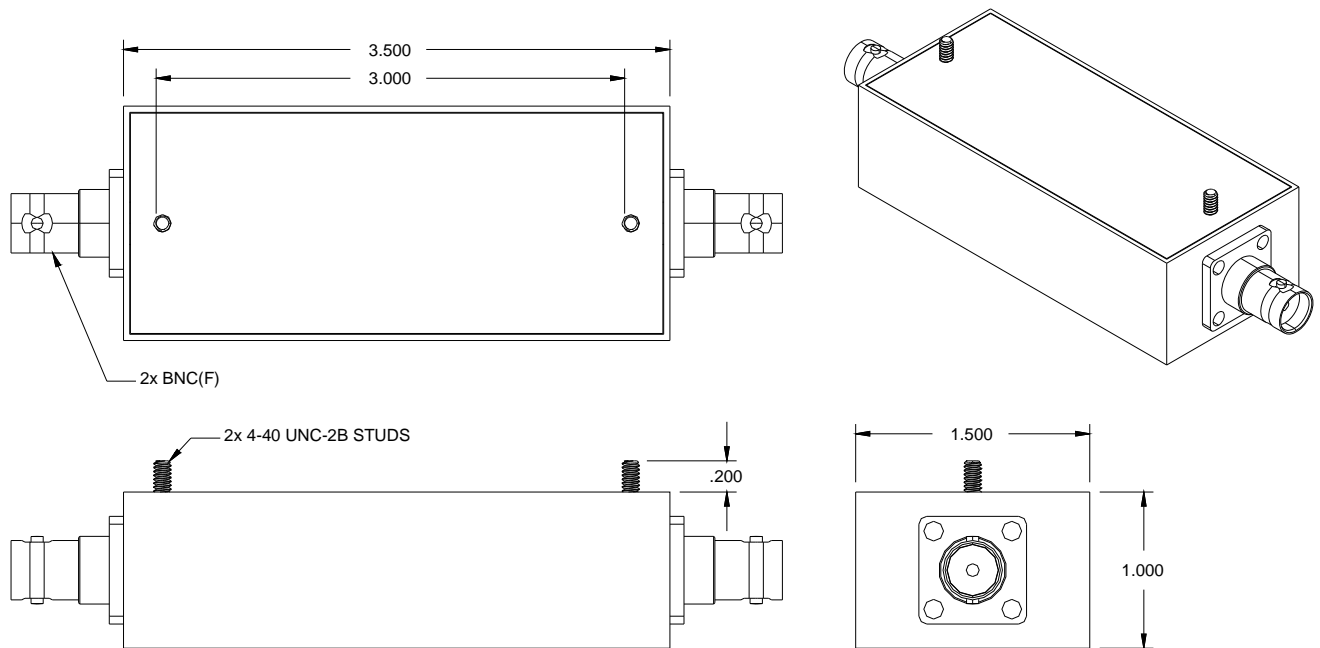


# KR Electronics 3423-1.5-BNC

## Specifications

Parameter	Specification
Filter type	Bandpass
Center Frequency (Fc)	1.5 MHz
Insertion Loss 1 to 2 MHz	1.5 dB max 0.7 dB typical
Rejection DC to 0.87 MHz	40 dB min
Rejection 4 MHz to 20 MHz	60 dB min 60 dB typical to 40 MHz
Source and Load	50 Ω

## Physical Dimensions



**Notes:**

1. Dimensions in inches