

KR Electronics, Inc.

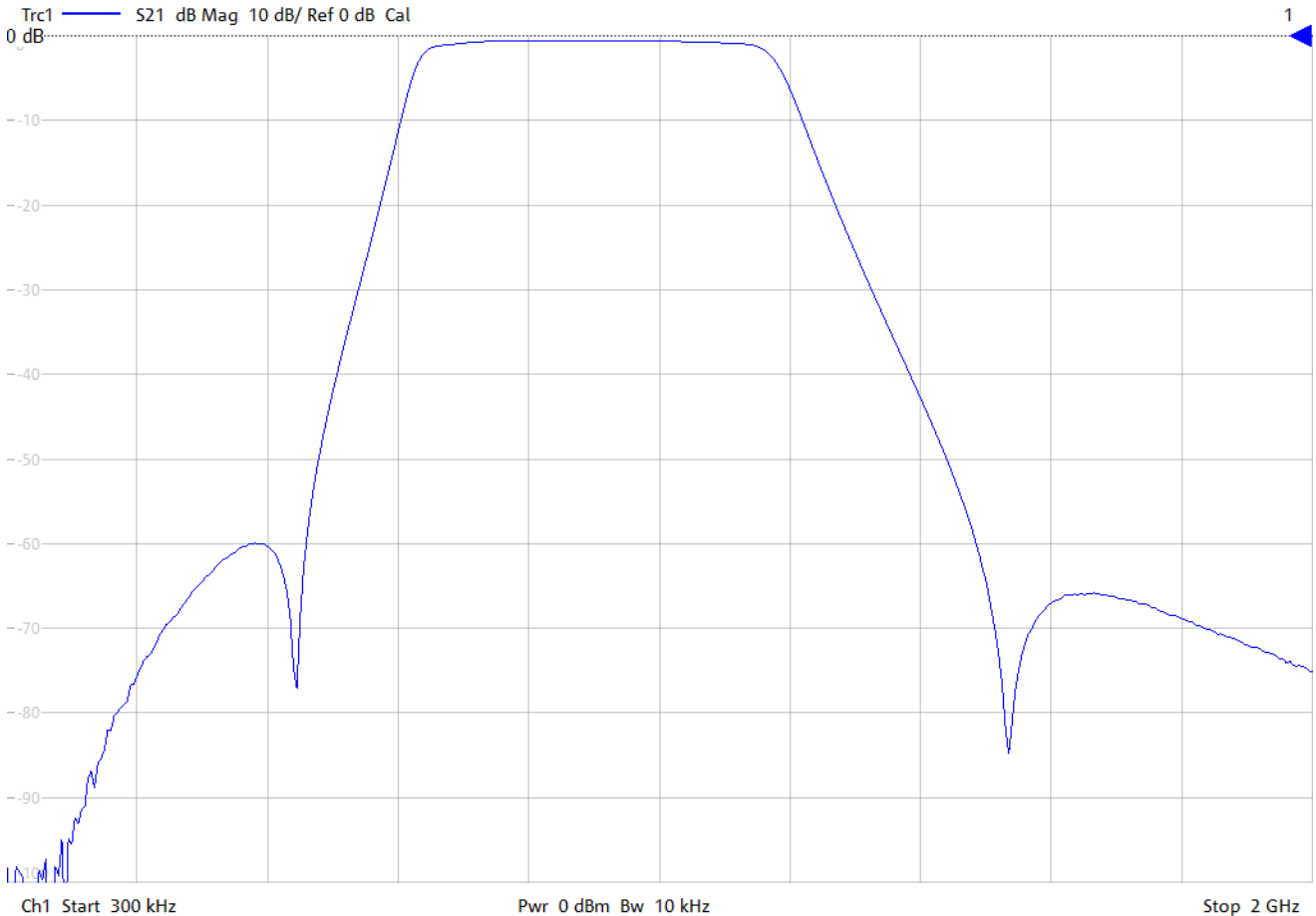
General Description

KR Electronics part number 3415-895 is a 895 MHz Bandpass filter. The filter has a typical 3 dB bandwidth of 554 MHz. Other center frequencies and bandwidths are available. Please consult the factory.

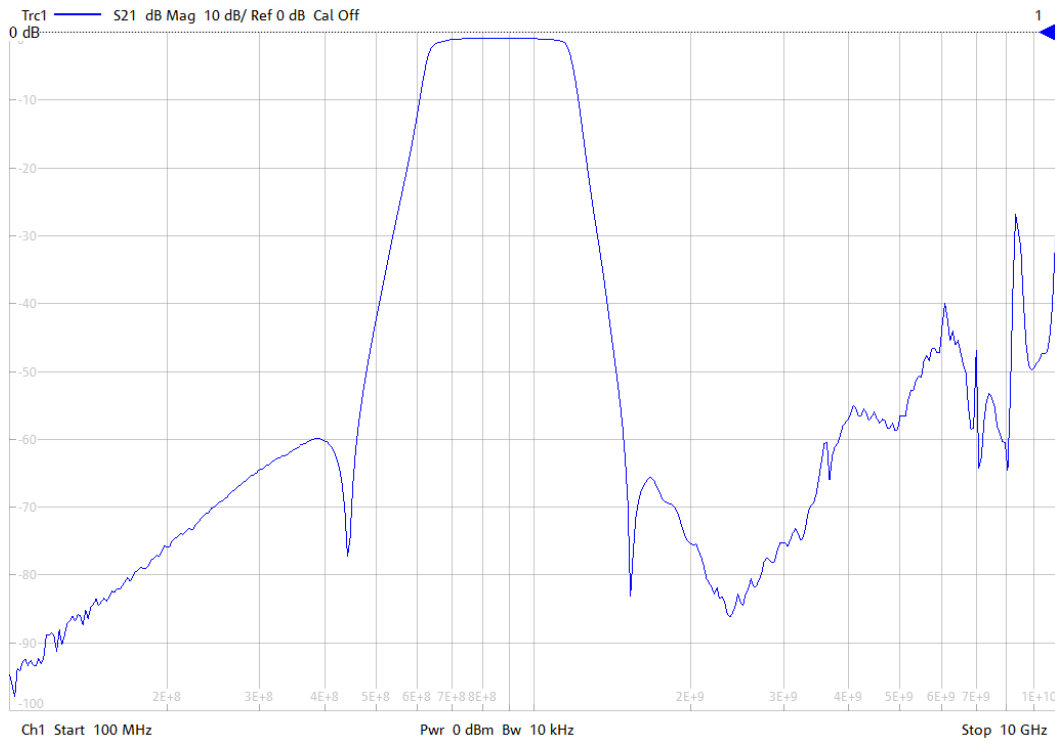
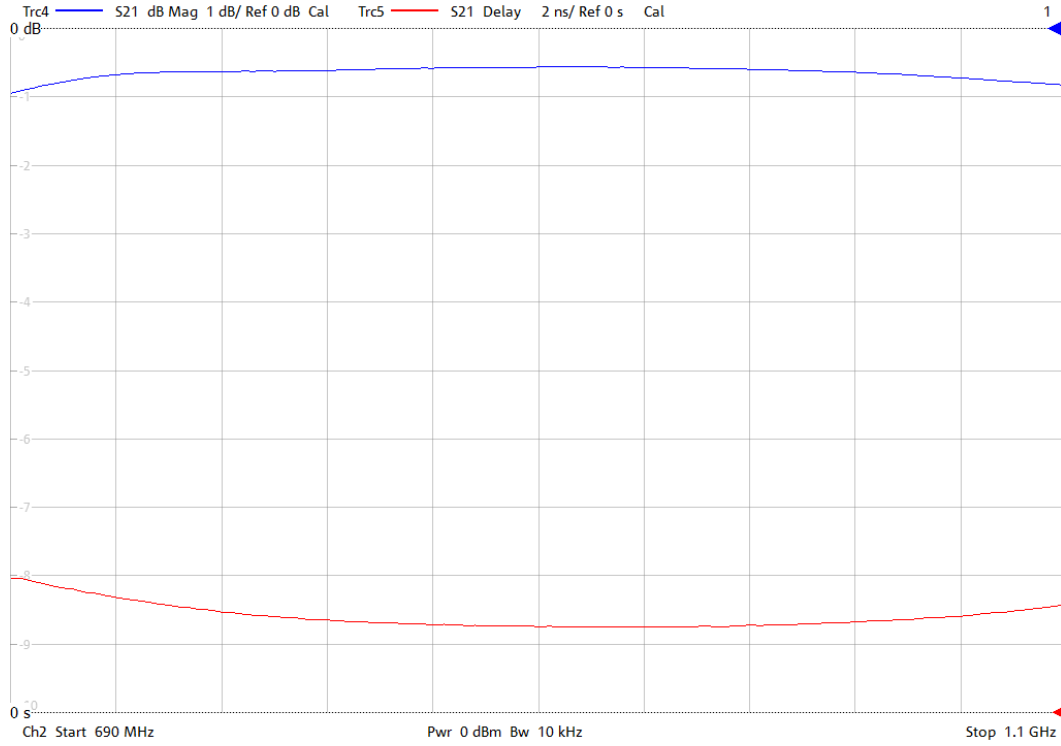
Features

- 895 MHz Bandpass Filter
- Selective Elliptic Type Filter
- 3 dB Bandwidth: 554 MHz typical
- 50 dB Bandwidth: 966 MHz typical
- 50 Ω Source and Load
- Surface Mount

Typical Performance



KR Electronics 3415-895



KR Electronics, Inc.
91 Avenel Street
Avenel, NJ 07001

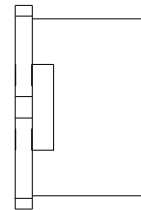
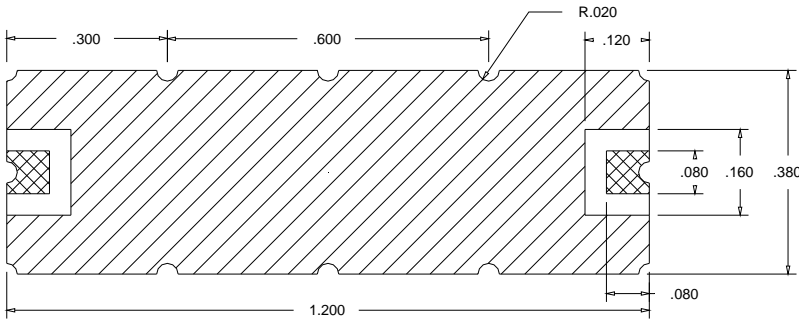
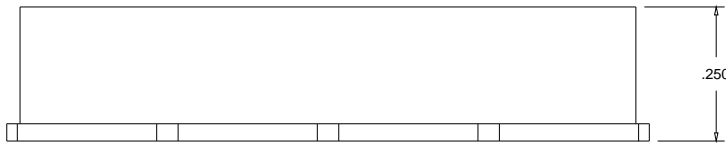
Web www.krfilters.com
Email sales@krfilters.com
Phone (732) 636-1900
Fax (732) 636-1982

KR Electronics 3415-895

Specifications

Parameter	Specification	Notes
Filter type	Bandpass	
Center Frequency	895 MHz	
Insertion Loss at Fc	1 dBa max	0.6 dBa typical
1 dBc Bandwidth	512 MHz typical	
3 dBc Bandwidth	554 MHz typical	
50 dBc Bandwidth	966 MHz typical	
50 dBc min rejection to	4 GHz	
Source and Load	50 Ω	

Physical Dimensions



Notes:

1. Surface mount package
2. Dimensions in inches
3. Max reflow temperature 230° C for 10 sec
4. If boards are cleaned after installation units must be completely dried