

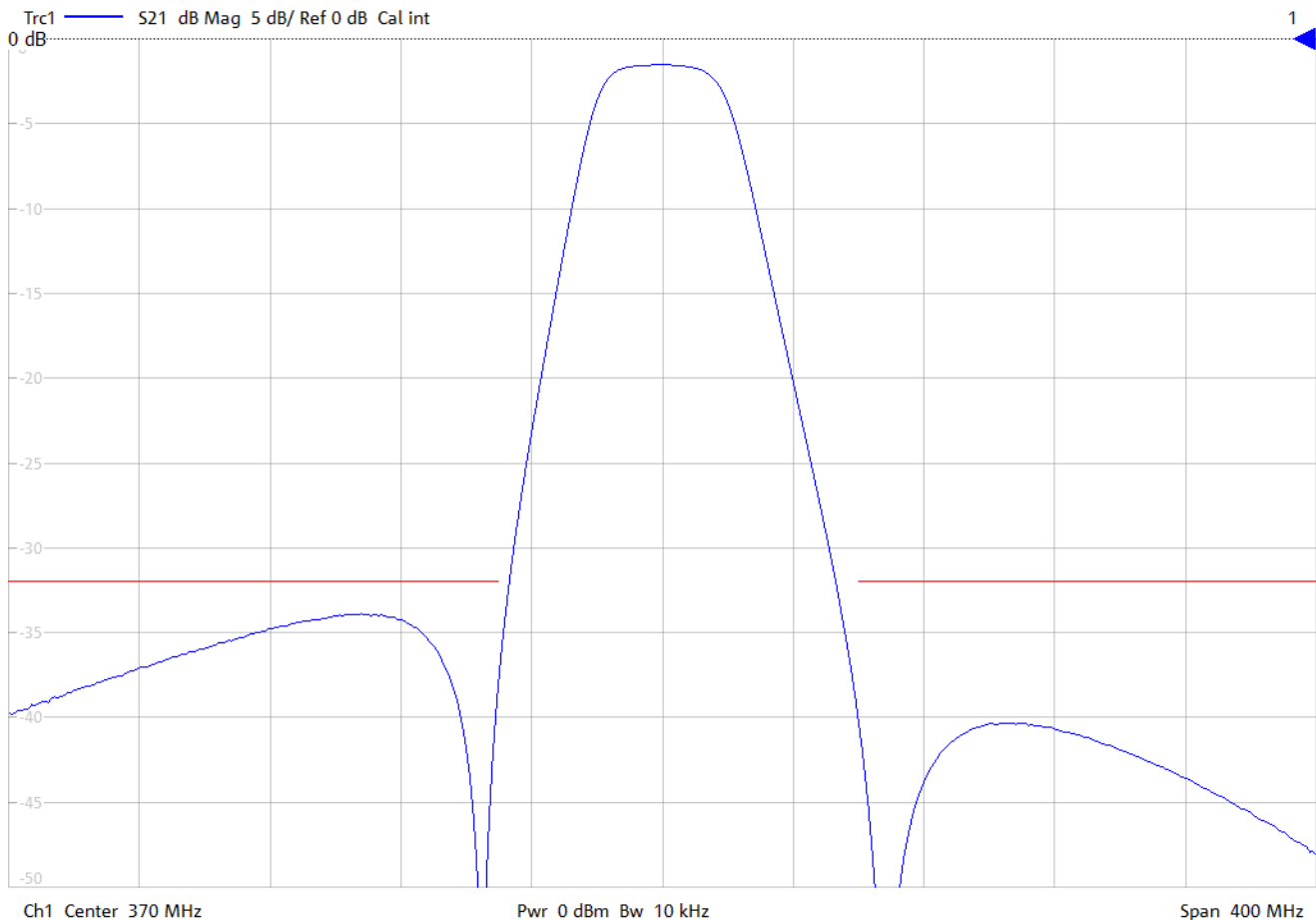
## General Description

KR Electronics part number 3413-370+ is a 370 MHz Bandpass filter. The filter has a typical 1 dB bandwidth of 33 MHz. Other center frequencies and bandwidths are available. Please consult the factory.

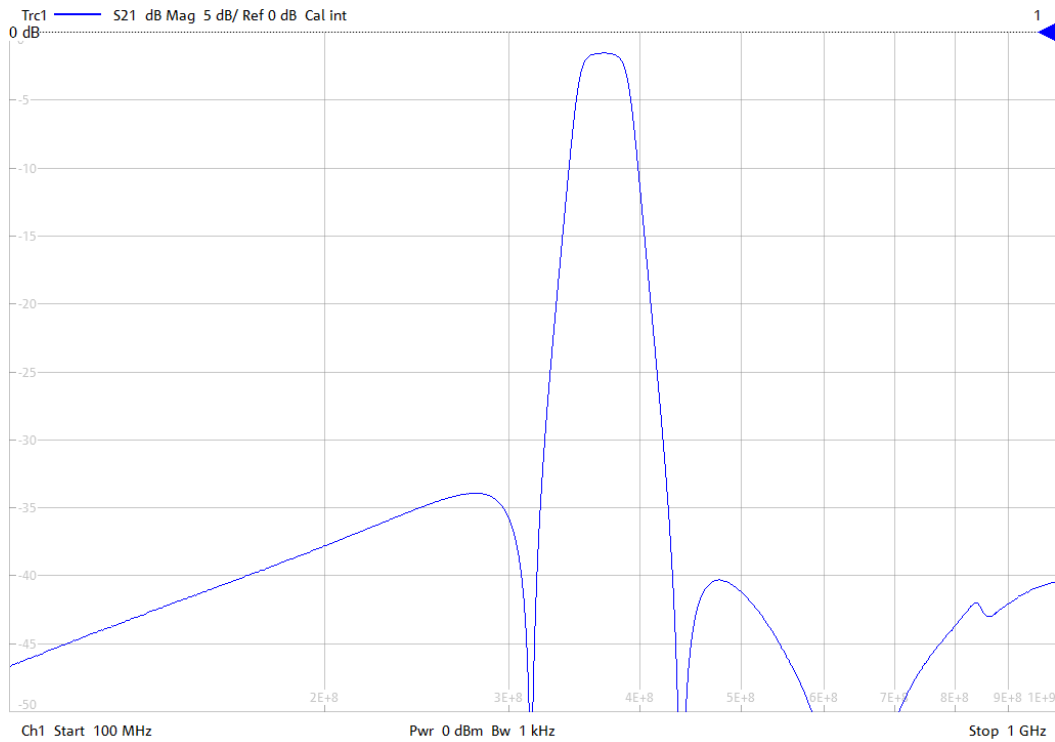
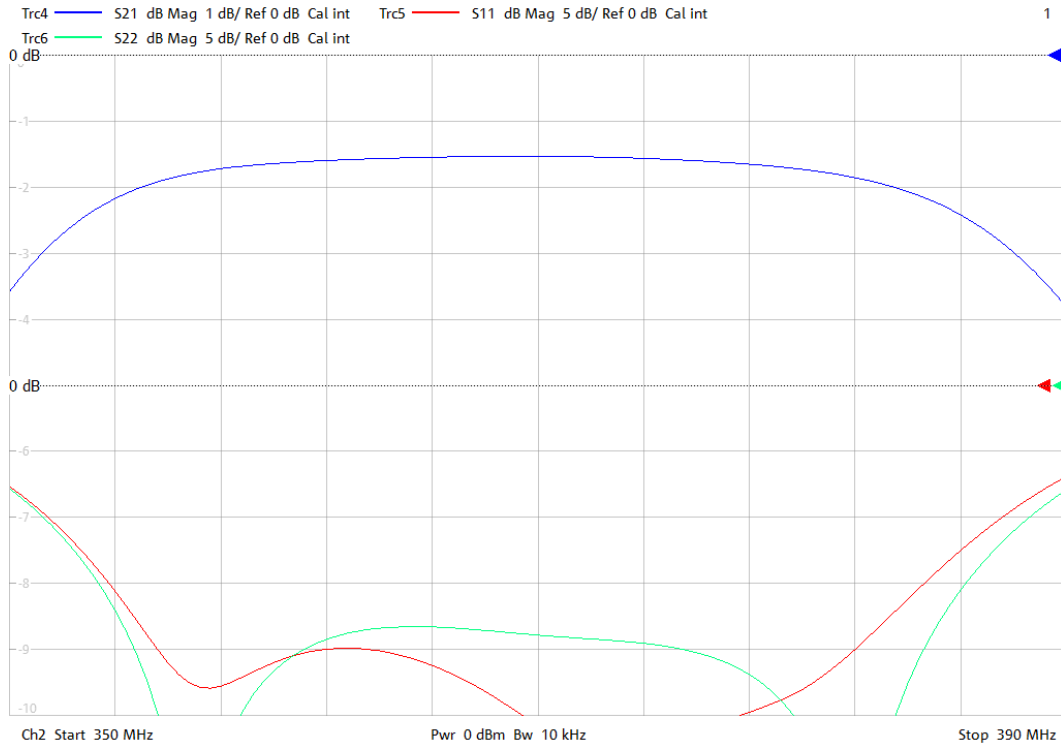
## Features

- 370 MHz Bandpass Filter
- Selective Elliptic Type Filter
- 1 dB Bandwidth: 33 MHz typical
- 30 dB Bandwidth: 100 MHz typical
- 50  $\Omega$  Source and Load
- Surface Mount

## Typical Performance



# KR Electronics 3413-370+



KR Electronics, Inc.  
 91 Avenel Street  
 Avenel, NJ 07001

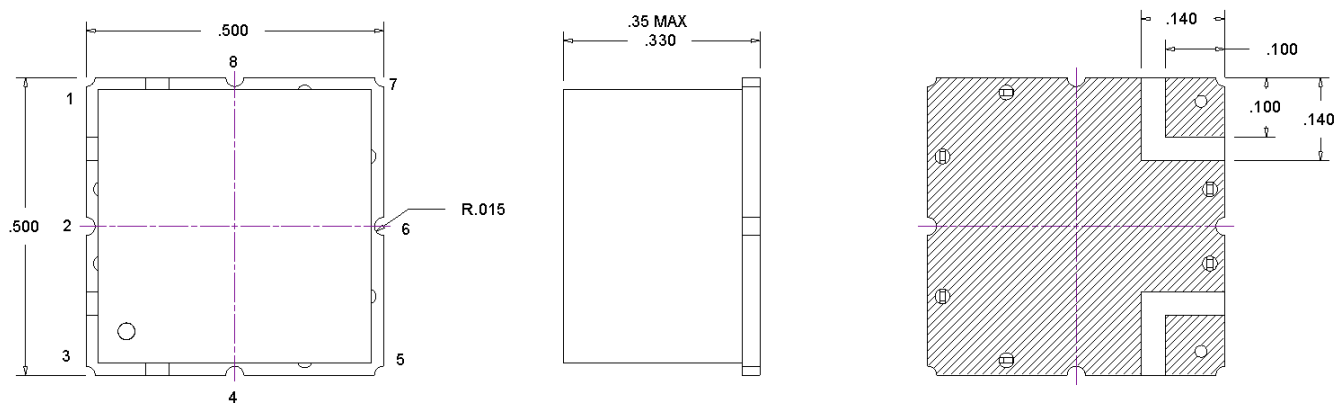
Web [www.krfilters.com](http://www.krfilters.com)  
 Email [sales@krfilters.com](mailto:sales@krfilters.com)  
 Phone (732) 636-1900  
 Fax (732) 636-1982

# KR Electronics 3413-370+

## Specifications

Parameter	Specification	Notes
Filter type	Bandpass	
Center Frequency	370 MHz	
Insertion Loss at Fc	2 dBa max	1.5 dBa typical
1 dBc Bandwidth	33 MHz typical	
1.5 dBc Bandwidth	20 MHz min	36 MHz typical
3 dBc Bandwidth	42 MHz typical	
30 dBc Bandwidth	110 MHz max	99 MHz typical
Maximum Input Power 360 to 380 MHz	2 Watts	
Source and Load	50 $\Omega$	

## Physical Dimensions



PIN	
1	IN/OUT
3	IN/OUT
2,4,5,6,7,8	GROUND

### Notes:

1. Surface mount package
2. Dimensions in inches
3. Tolerance on outside dimensions  $\pm 0.020$  unless noted
4. Max reflow temperature 230° C for 10 sec
5. If boards are cleaned after installation units must be completely dried

KR Electronics, Inc.  
91 Avenel Street  
Avenel, NJ 07001

Web [www.krfilters.com](http://www.krfilters.com)  
Email [sales@krfilters.com](mailto:sales@krfilters.com)  
Phone (732) 636-1900  
Fax (732) 636-1982