

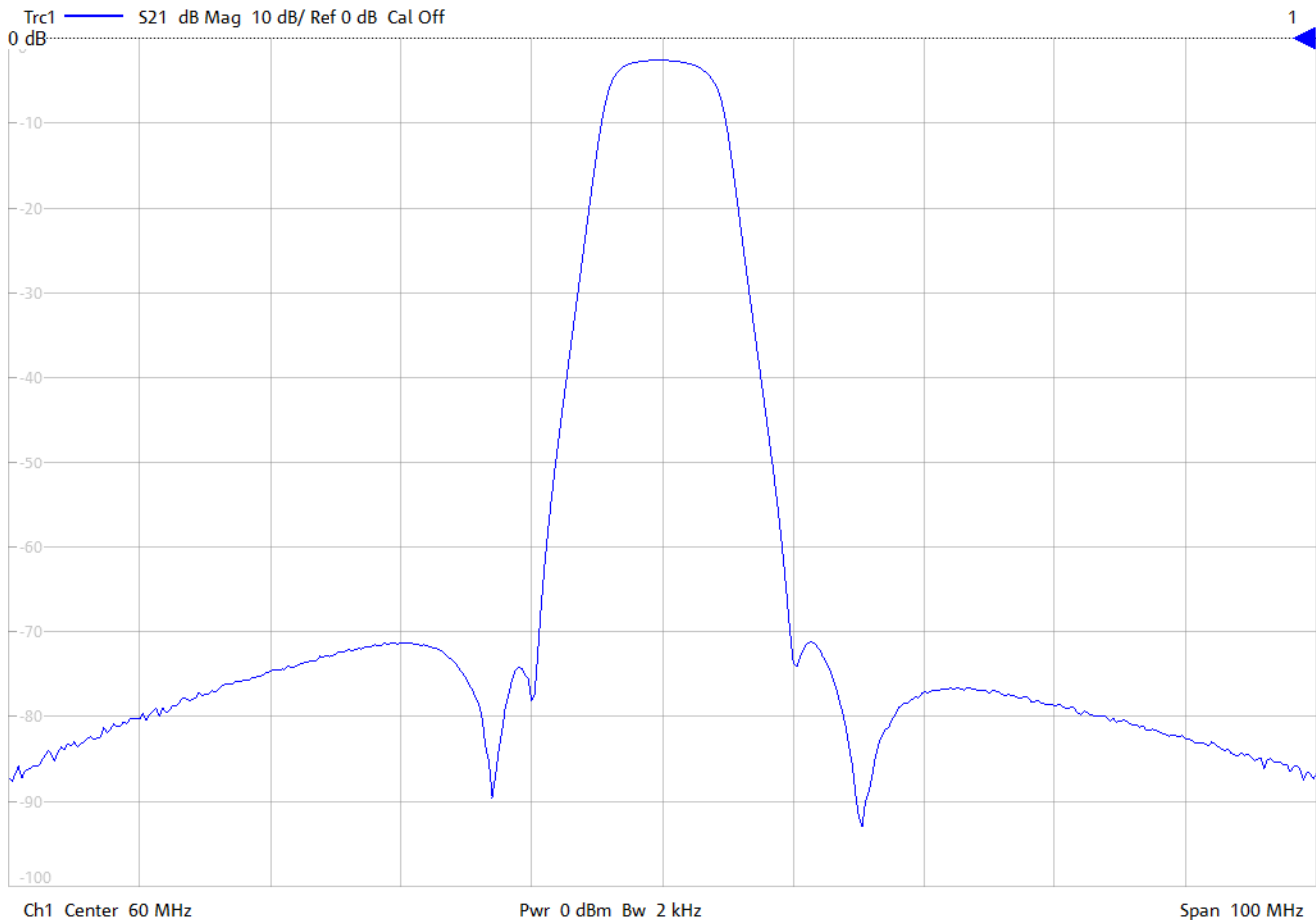
## General Description

KR Electronics part number 3401+ is a 60 MHz Bandpass filter. The filter has a typical 3 dB bandwidth of 8 MHz. Other center frequencies and bandwidths are available. Please consult the factory.

## Features

- 60 MHz Bandpass Filter
- Selective Elliptic Type Filter
- 3 dB Bandwidth: 8 MHz typical
- 40 dB Bandwidth: 15.3 MHz typical
- 60 dB Bandwidth: 18.3 MHz typical
- 50  $\Omega$  Source and Load
- Surface Mount
- Available with SMA Connectors

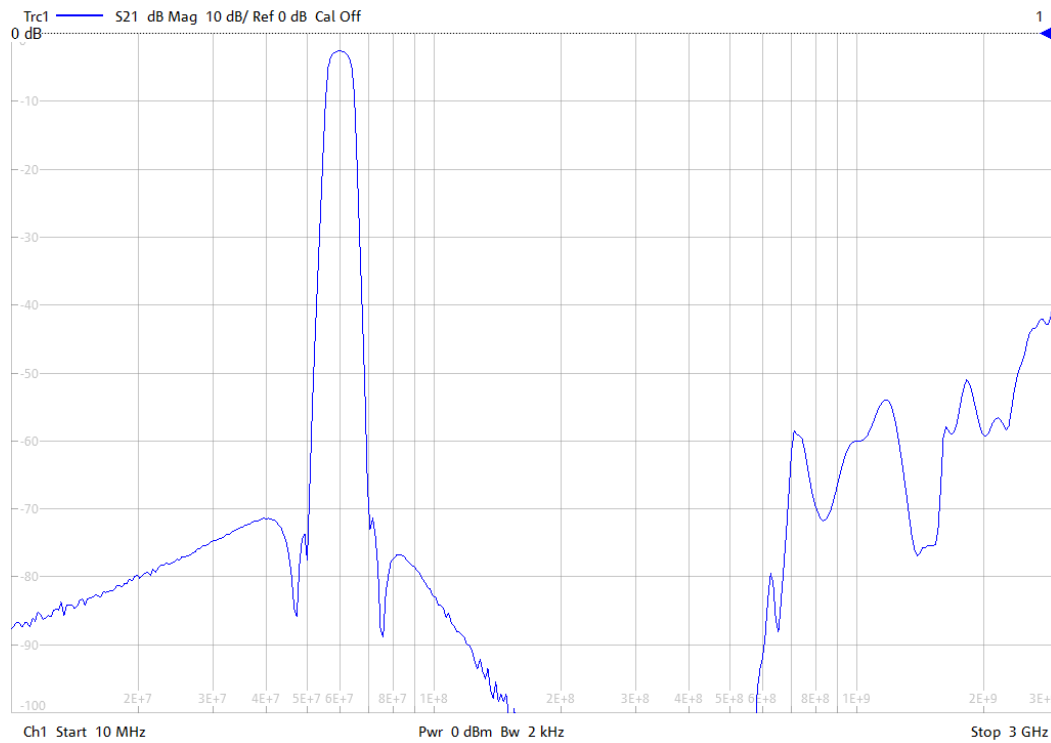
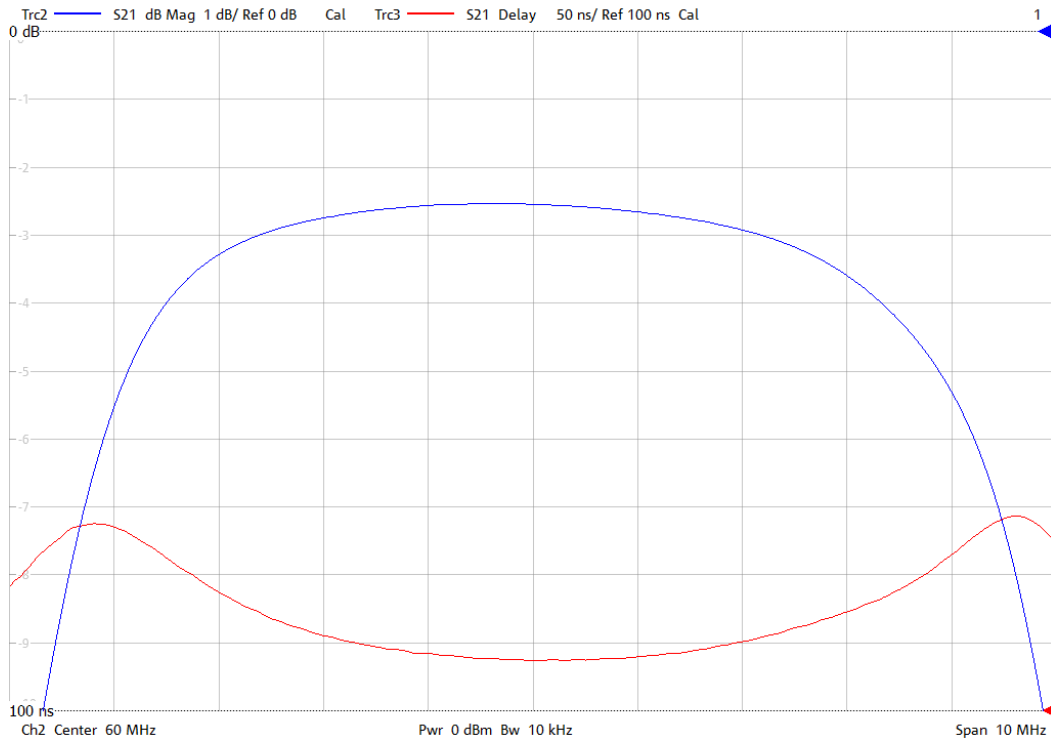
## Typical Performance



KR Electronics, Inc.  
91 Avenel Street  
Avenel, NJ 07001

Web [www.krfilters.com](http://www.krfilters.com)  
Email [sales@krfilters.com](mailto:sales@krfilters.com)  
Phone (732) 636-1900  
Fax (732) 636-1982

# KR Electronics 3401+



KR Electronics, Inc.  
 91 Avenel Street  
 Avenel, NJ 07001

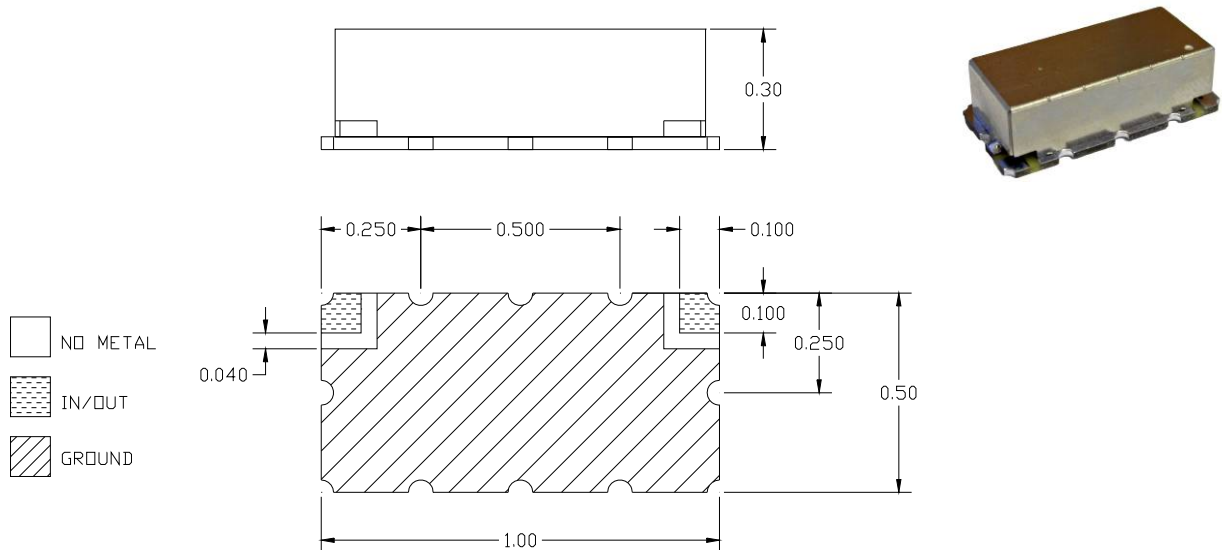
Web [www.krfilters.com](http://www.krfilters.com)  
 Email [sales@krfilters.com](mailto:sales@krfilters.com)  
 Phone (732) 636-1900  
 Fax (732) 636-1982

# KR Electronics 3401+

## Specifications

Parameter	Specification	Notes
Filter type	Bandpass	
Center Frequency	60 MHz	
Insertion Loss at Fc	4 dBa max	2.5 dBa typical
1 dBc Bandwidth	6.2 MHz typical	
3 dBc Bandwidth	8.2 MHz $\pm$ 1.2 MHz	
40 dBc Bandwidth	15.3 MHz typical	
50 dBc Bandwidth	17.0 MHz typical	
60 dBc Bandwidth	18.3 MHz typical	
Source and Load	50 $\Omega$	

## Physical Dimensions



**Notes:**

1. Surface mount package
2. Dimensions in inches
3. Max reflow temperature 230° C for 10 sec
4. If boards are cleaned after installation units must be completely dried

KR Electronics, Inc.  
 91 Avenel Street  
 Avenel, NJ 07001

Web [www.krfilters.com](http://www.krfilters.com)  
 Email [sales@krfilters.com](mailto:sales@krfilters.com)  
 Phone (732) 636-1900  
 Fax (732) 636-1982