

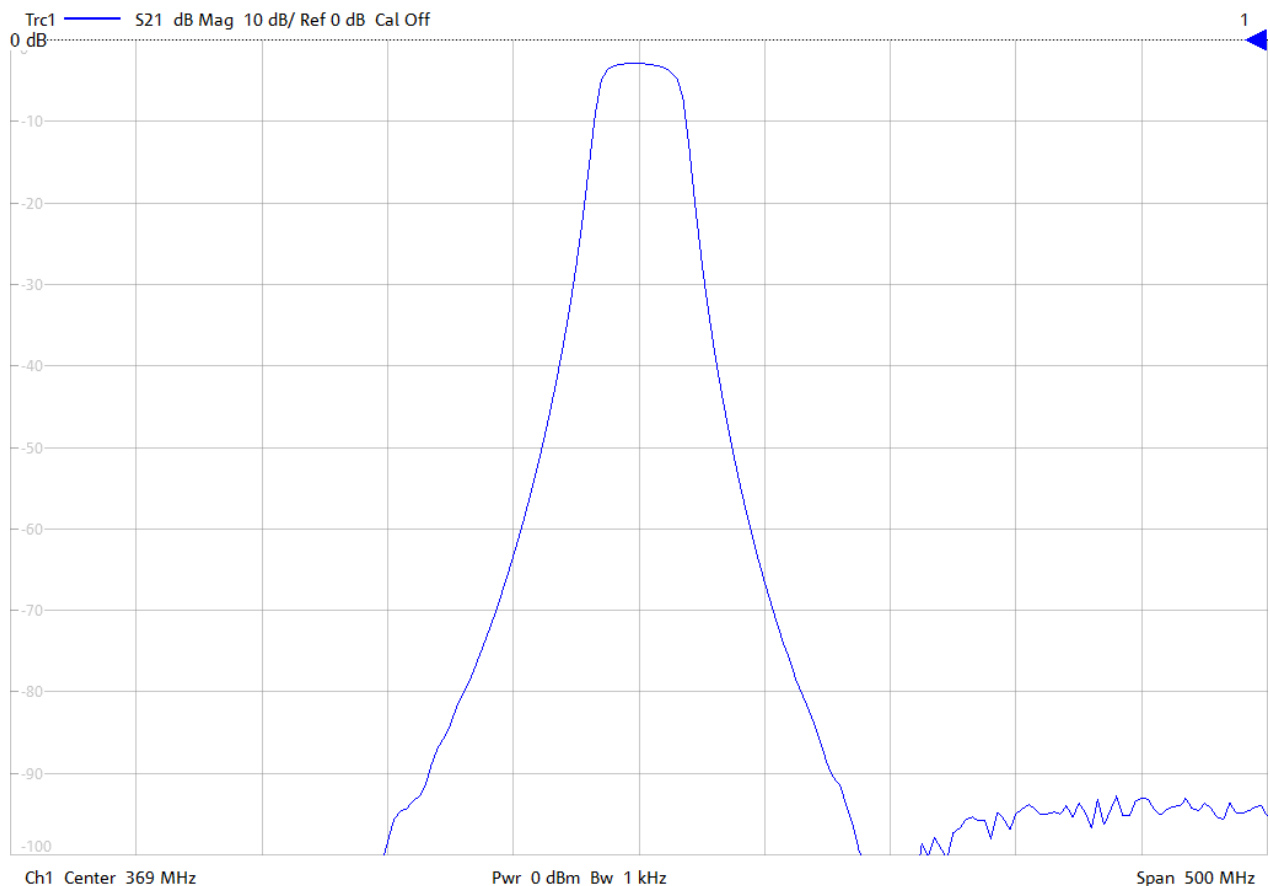
General Description

KR Electronics part number 3397-SMA is a 369 MHz bandpass filter. The filter has a typical 1 dB bandwidth of 25 MHz. Other center frequencies and bandwidths are available. Please consult the factory.

Features

- 369 MHz Bandpass Filter
- 25 MHz typical 1 dB Bandwidth
- 50 Ω Source and Load
- SMA Connectors

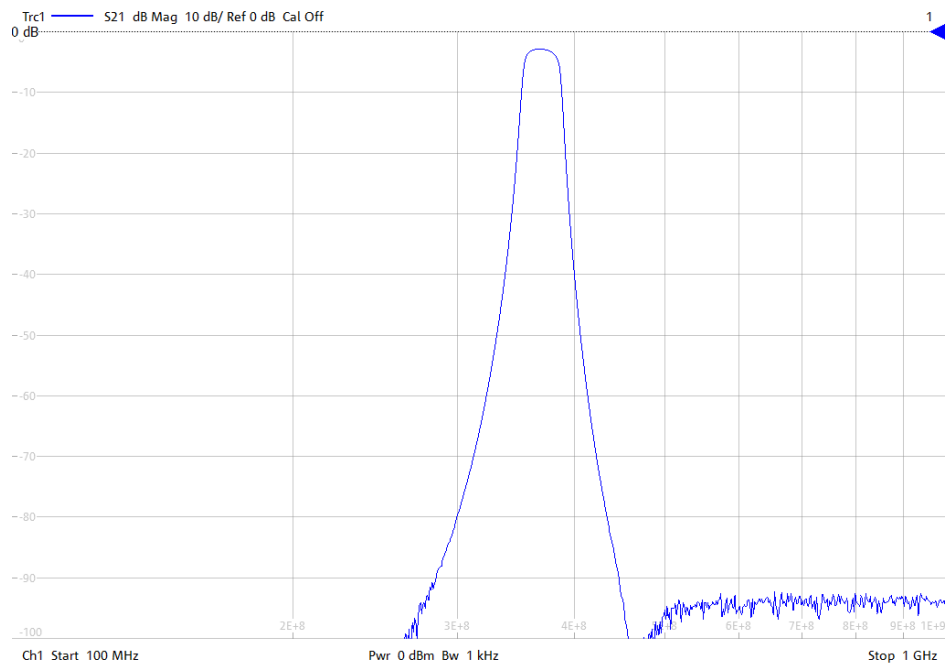
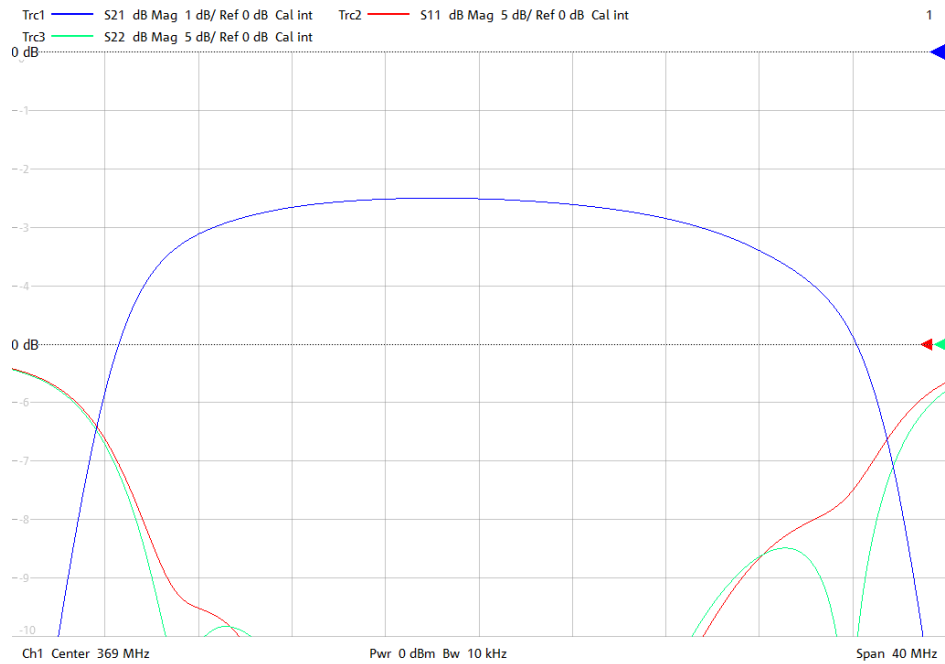
Typical Performance



KR Electronics, Inc.
91 Avenel Street
Avenel, NJ 07001

Web www.krfilters.com
Email sales@krfilters.com
Phone (732) 636-1900
Fax (732) 636-1982

Typical Performance



KR Electronics, Inc.
91 Avenel Street
Avenel, NJ 07001

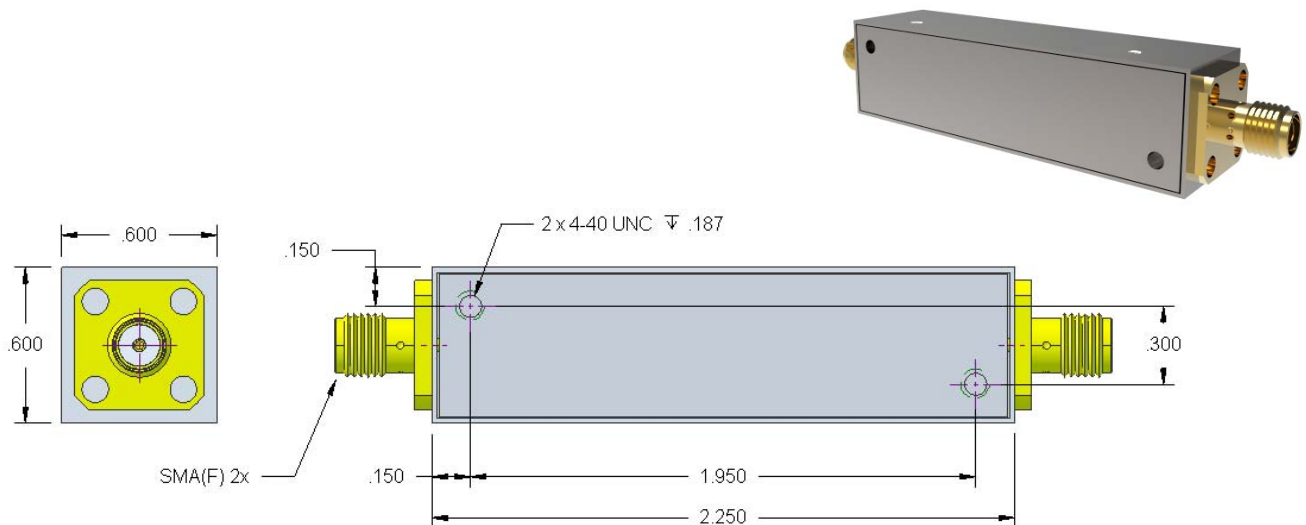
Web www.krfilters.com
Email sales@krfilters.com
Phone (732) 636-1900
Fax (732) 636-1982

KR Electronics 3397-SMA

Specifications

Parameter	Specification	Notes
Filter type	Bandpass	
Center Frequency (Fc)	369 MHz	
Insertion Loss	5.6 dBa max	2.6 dB typical
1 dBc Bandwidth	25 MHz ±10%	
3 dBc Bandwidth	32 MHz typical	
40 dBc Bandwidth	66 MHz typical	
60 dBc Bandwidth	97 MHz typical	
Source and Load	50 Ω	
Maximum Input Power at 369 MHz	2 Watts max	@ Fc only

Physical Dimensions



Notes:

1. Dimensions in inches
2. Metal Case
3. SMA(F) Connectors

KR Electronics, Inc.
91 Avenel Street
Avenel, NJ 07001

Web www.krfilters.com
Email sales@krfilters.com
Phone (732) 636-1900
Fax (732) 636-1982