

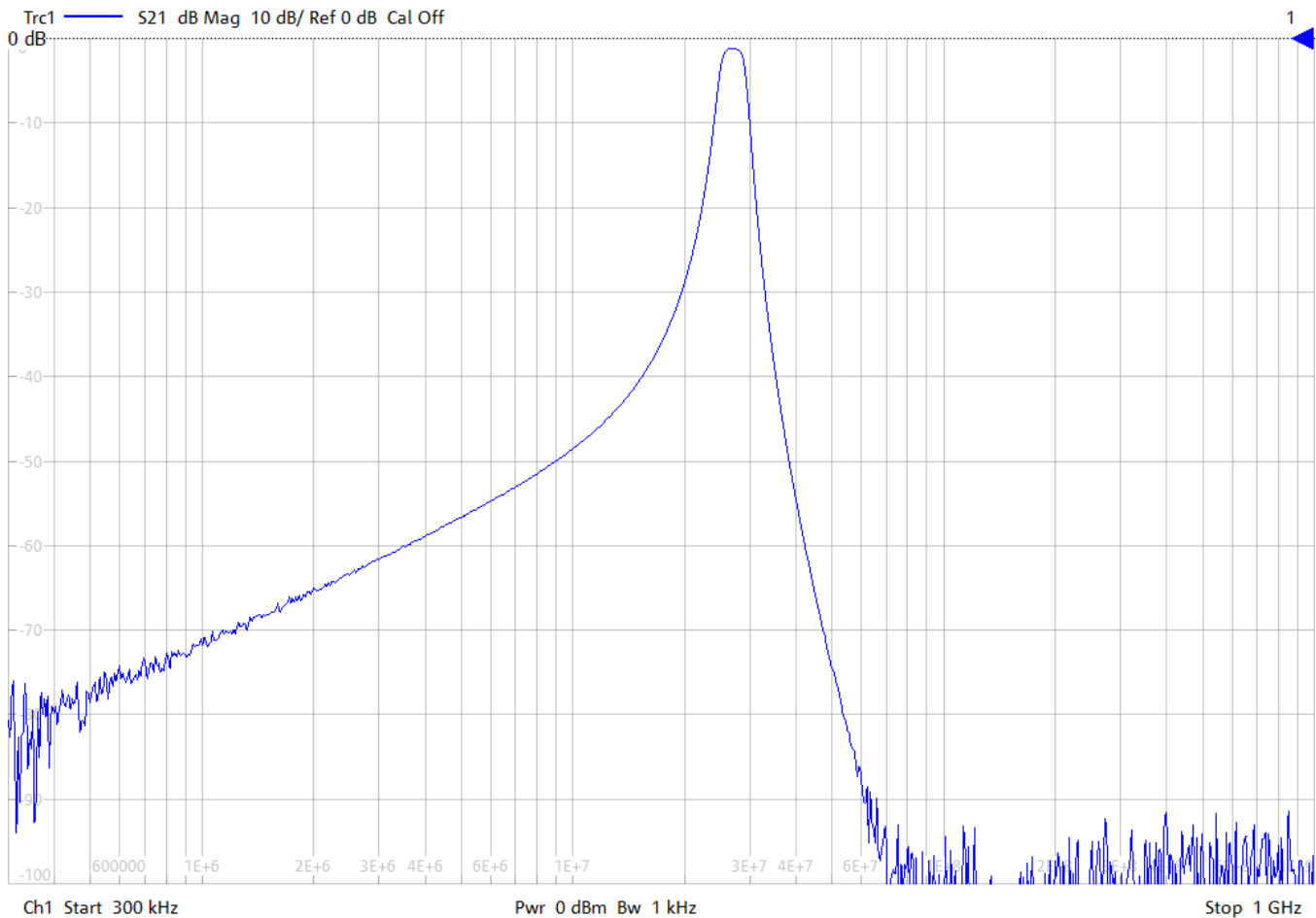
## General Description

KR Electronics part number 3396-27.02-SMA is a 27.02 MHz bandpass filter. The filter has a typical 3 dB bandwidth of 4.3 MHz. Other center frequencies and are bandwidths available. Please consult the factory.

### Features

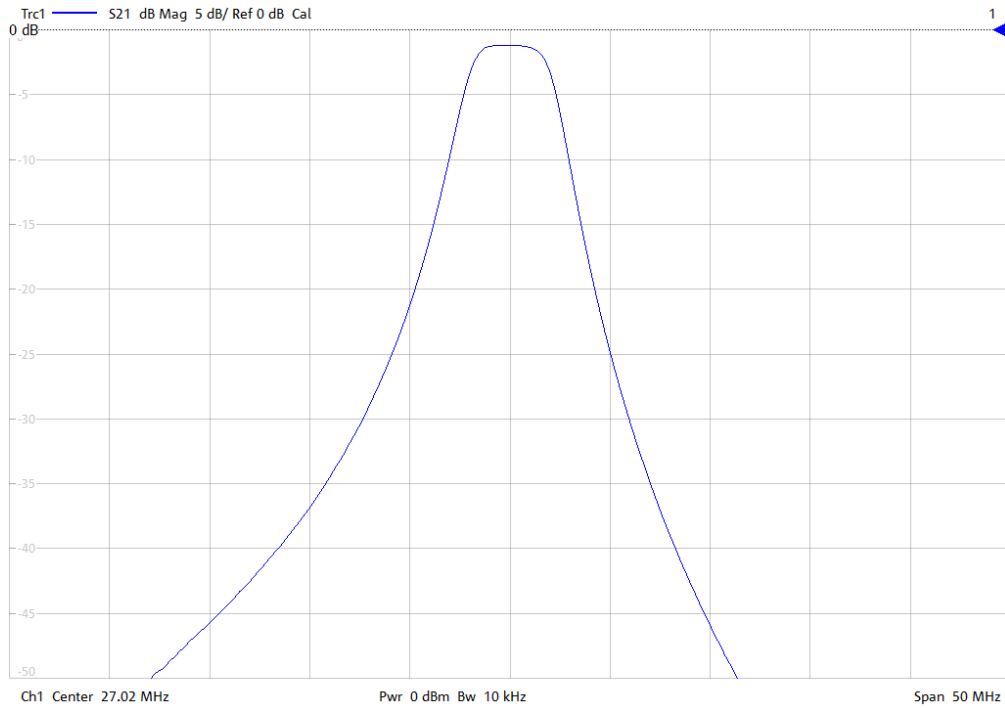
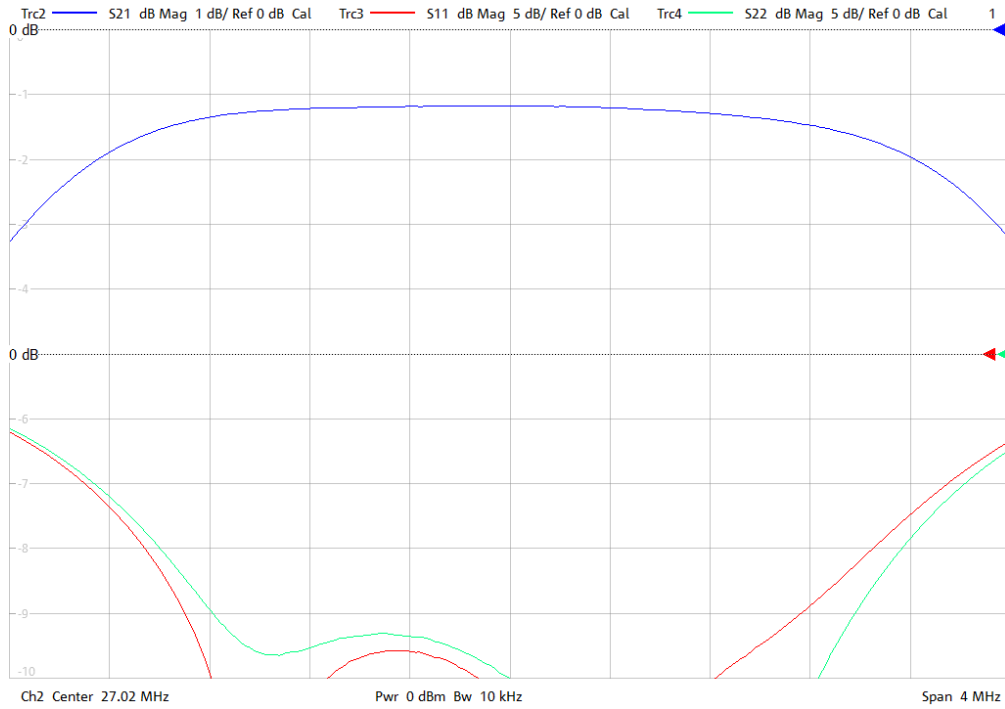
- 27.02 MHz Bandpass
- 3 dB Bandwidth 4.3 MHz typical
- 50  $\Omega$  Source and Load
- SMA Connectors
- Surface Mount Available

## Typical Performance



KR Electronics, Inc.  
91 Avenel Street  
Avenel, NJ 07001

Web [www.krfilters.com](http://www.krfilters.com)  
Email [sales@krfilters.com](mailto:sales@krfilters.com)  
Phone (732) 636-1900  
Fax (732) 636-1982



KR Electronics, Inc.  
91 Avenel Street  
Avenel, NJ 07001

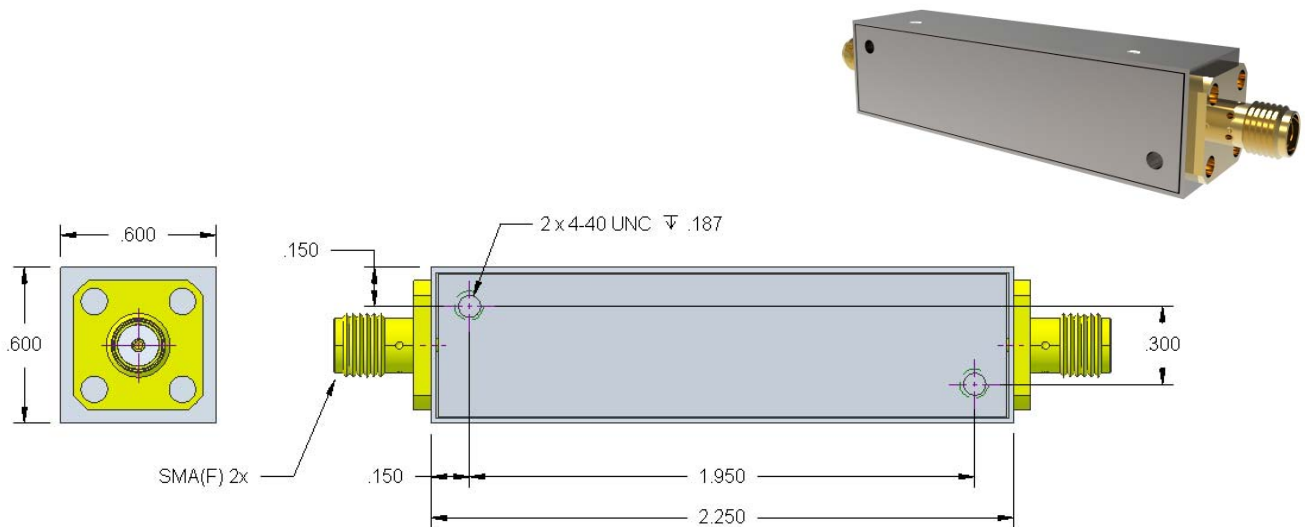
Web                      www.krfilters.com  
Email                    sales@krfilters.com  
Phone                    (732) 636-1900  
Fax                        (732) 636-1982

# KR Electronics 3396-27.02-SMA

## Specifications

Parameter	Specification	
Filter type	Bandpass	
Center Frequency	27.02 MHz	
Insertion Loss	3 dB max	1.2 dB typical
1 dB Bandwidth	3.4 MHz typical	
3 dB Bandwidth	4.3 MHz typical	
40 dB Bandwidth	21 MHz typical	
60 dB Bandwidth	40 MHz typical	
Source and Load	50 $\Omega$	

## Physical Dimensions



### Notes:

1. Dimensions in inches
2. Metal Case
3. SMA(F) Connectors

KR Electronics, Inc.  
91 Avenel Street  
Avenel, NJ 07001

Web [www.krfilters.com](http://www.krfilters.com)  
Email [sales@krfilters.com](mailto:sales@krfilters.com)  
Phone (732) 636-1900  
Fax (732) 636-1982