

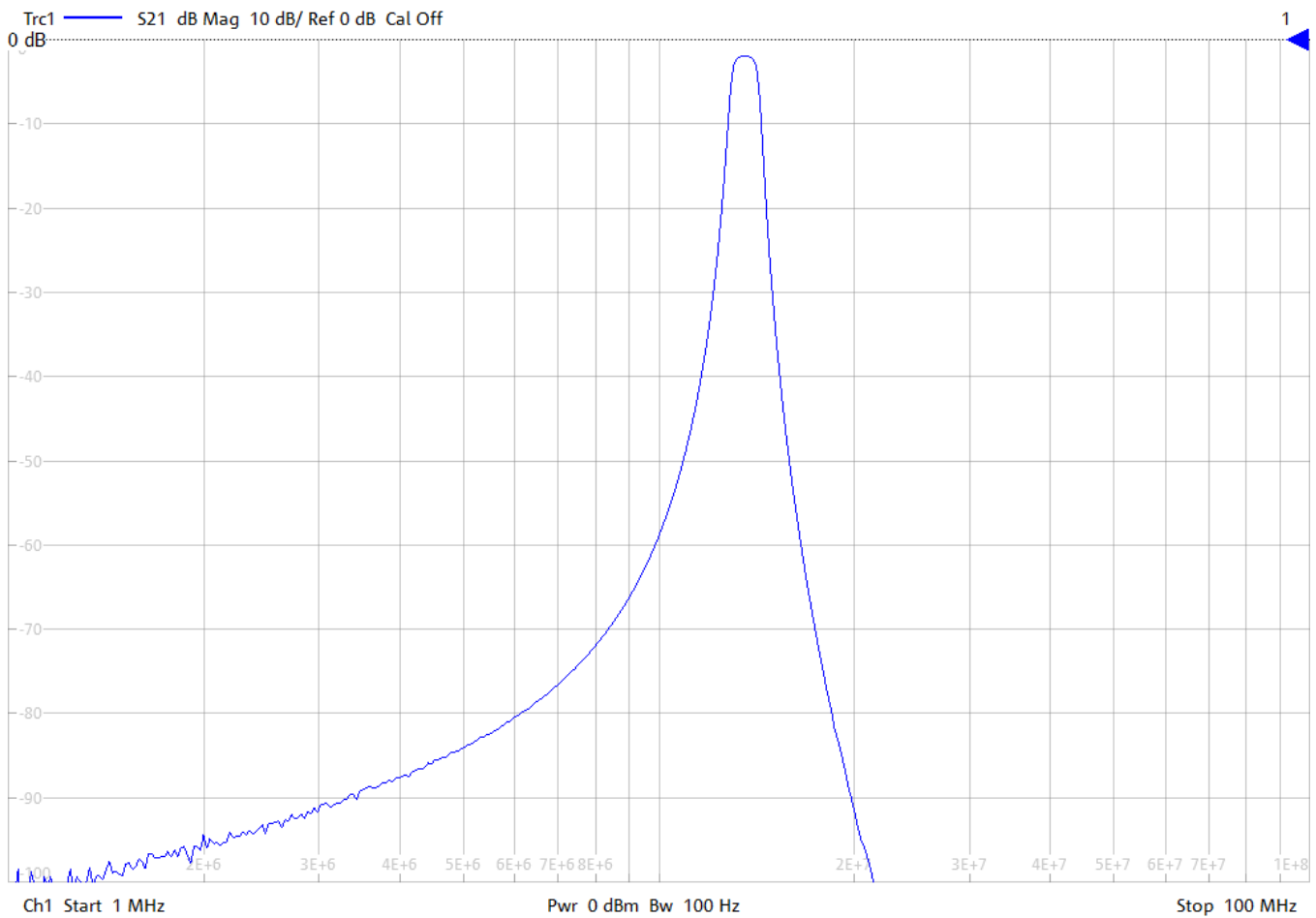
General Description

KR Electronics part number 3396-13.56-SMA is a 13.56 MHz bandpass filter. The filter has a typical 3 dB bandwidth of 1.28 MHz. Other center frequencies and are bandwidths available. Please consult the factory.

Features

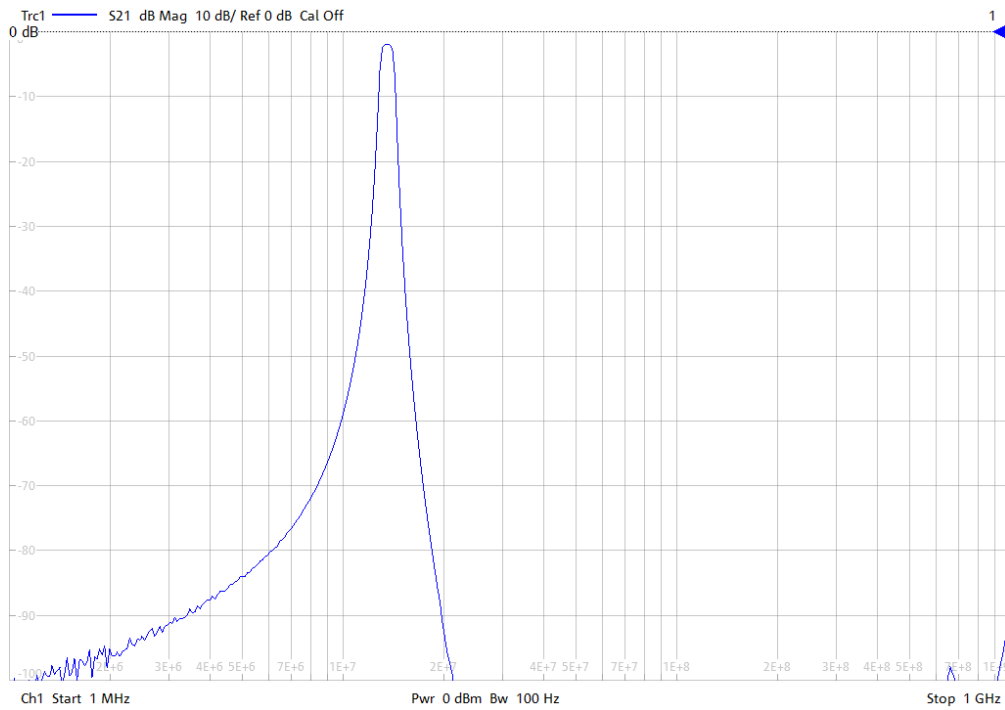
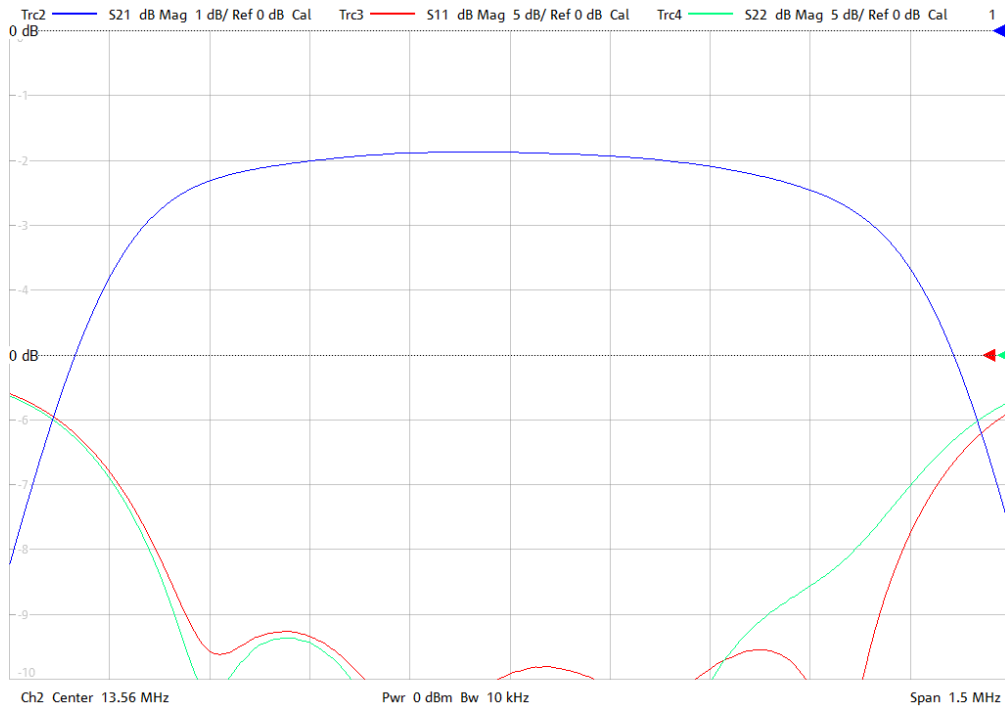
- 13.56 MHz Bandpass
- 3 dB Bandwidth 1.28 MHz typical
- 50 Ω Source and Load
- SMA Connectors
- Surface Mount Available

Typical Performance



KR Electronics, Inc.
91 Avenel Street
Avenel, NJ 07001

Web www.krfilters.com
Email sales@krfilters.com
Phone (732) 636-1900
Fax (732) 636-1982



KR Electronics, Inc.
 91 Avenel Street
 Avenel, NJ 07001

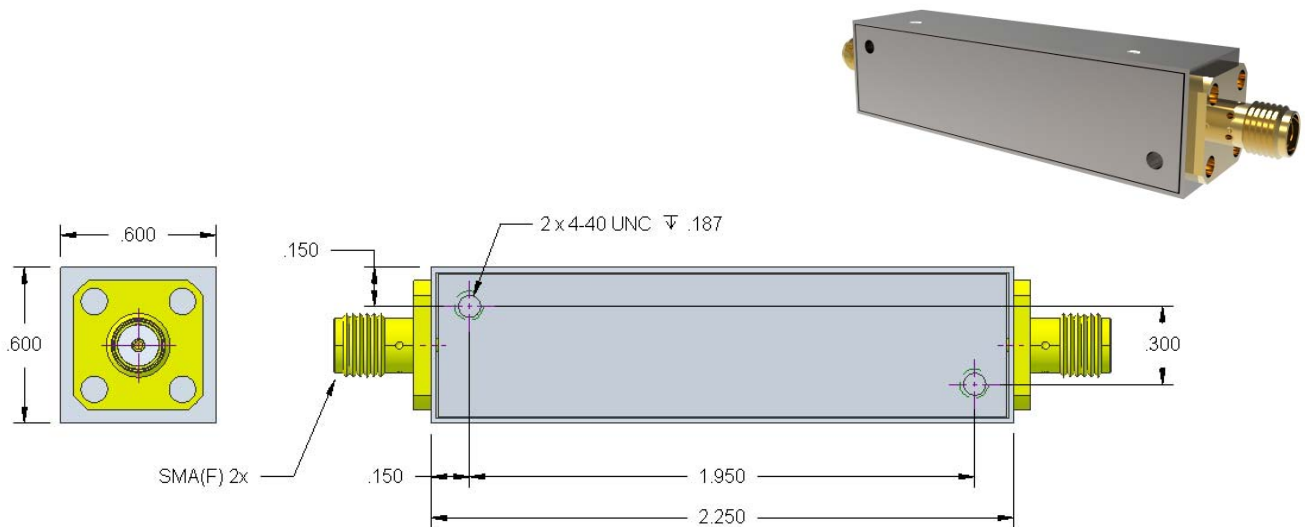
Web www.krfilters.com
 Email sales@krfilters.com
 Phone (732) 636-1900
 Fax (732) 636-1982

KR Electronics 3396-13.56-SMA

Specifications

Parameter	Specification	
Filter type	Bandpass	
Center Frequency	13.56 MHz	
Insertion Loss	4 dB max	2 dB typical
1 dB Bandwidth	1.00 MHz typical	
3 dB Bandwidth	1.28 MHz typical	
40 dB Bandwidth	3.9 MHz typical	
60 dB Bandwidth	7.0 MHz typical	
Source and Load	50 Ω	

Physical Dimensions



Notes:

1. Dimensions in inches
2. Metal Case
3. SMA(F) Connectors

KR Electronics, Inc.
91 Avenel Street
Avenel, NJ 07001

Web www.krfilters.com
Email sales@krfilters.com
Phone (732) 636-1900
Fax (732) 636-1982