

# KR Electronics, Inc.

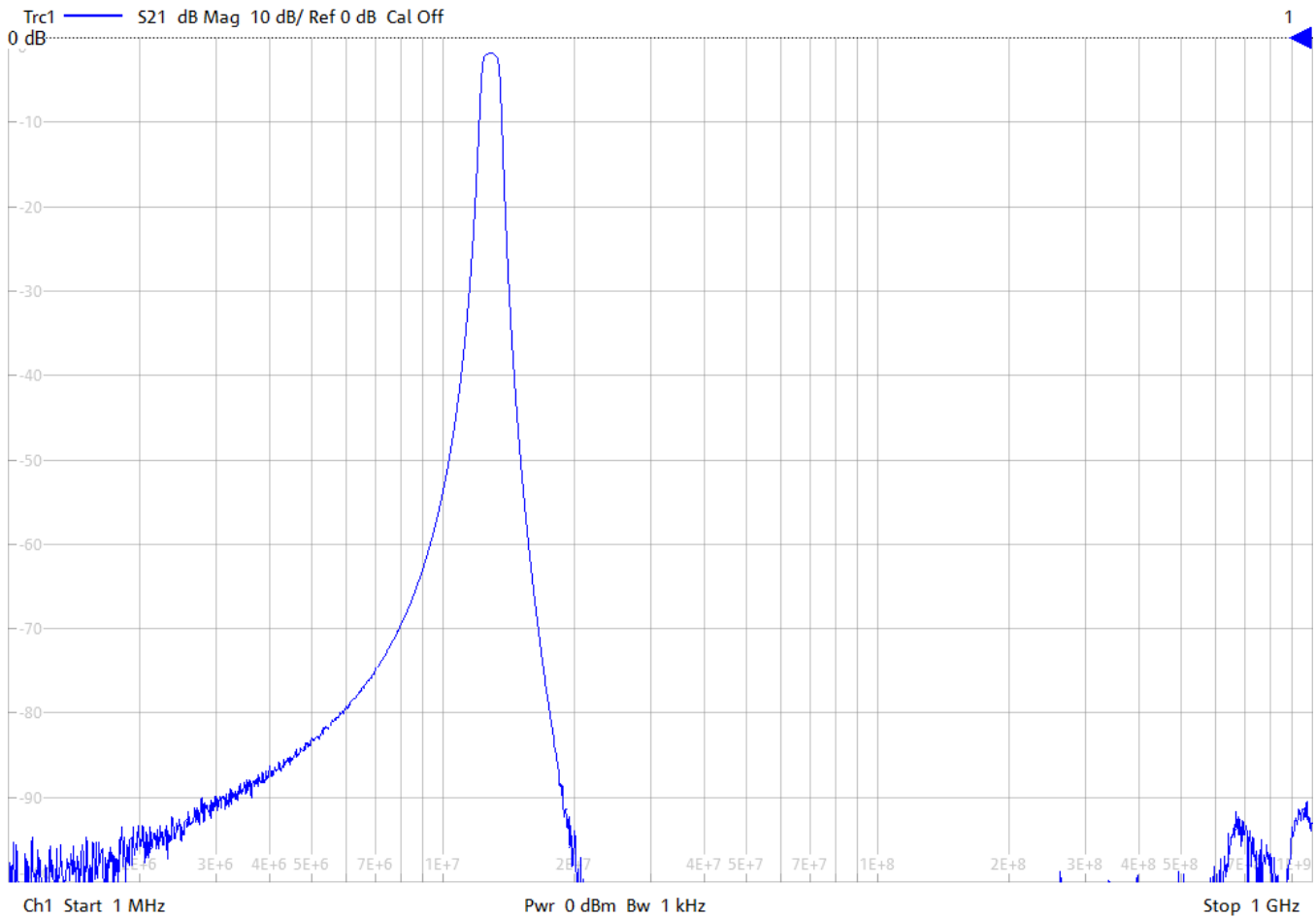
## General Description

KR Electronics part number 3396-12.88-SMA is a 12.88 MHz bandpass filter. The filter has a typical 3 dB bandwidth of 1.24 MHz. Other center frequencies and are bandwidths available. Please consult the factory.

### Features

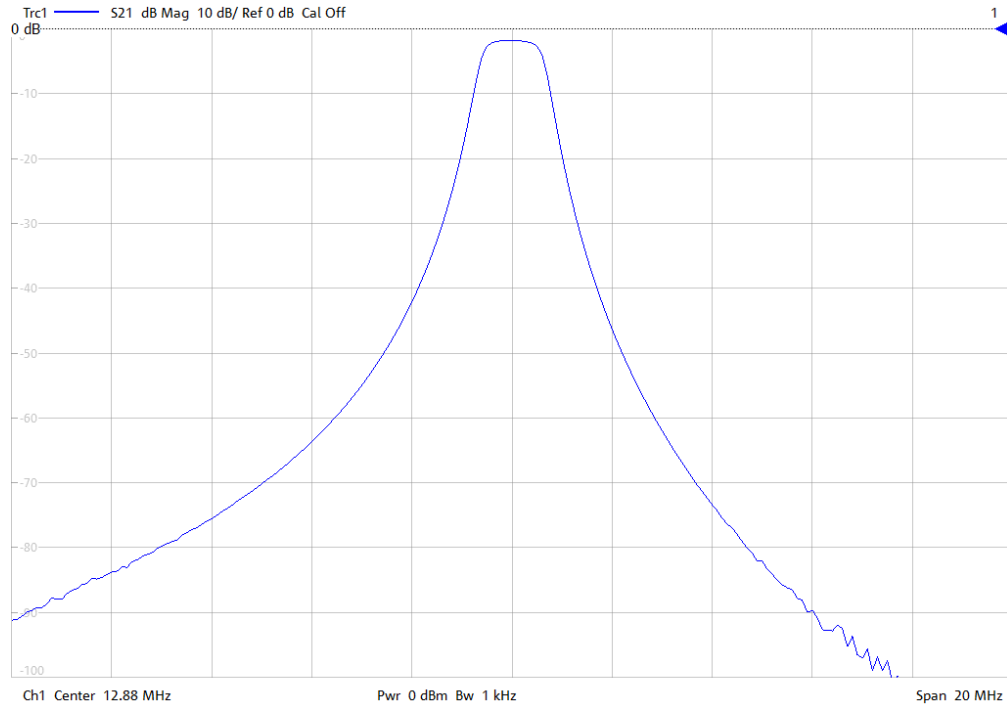
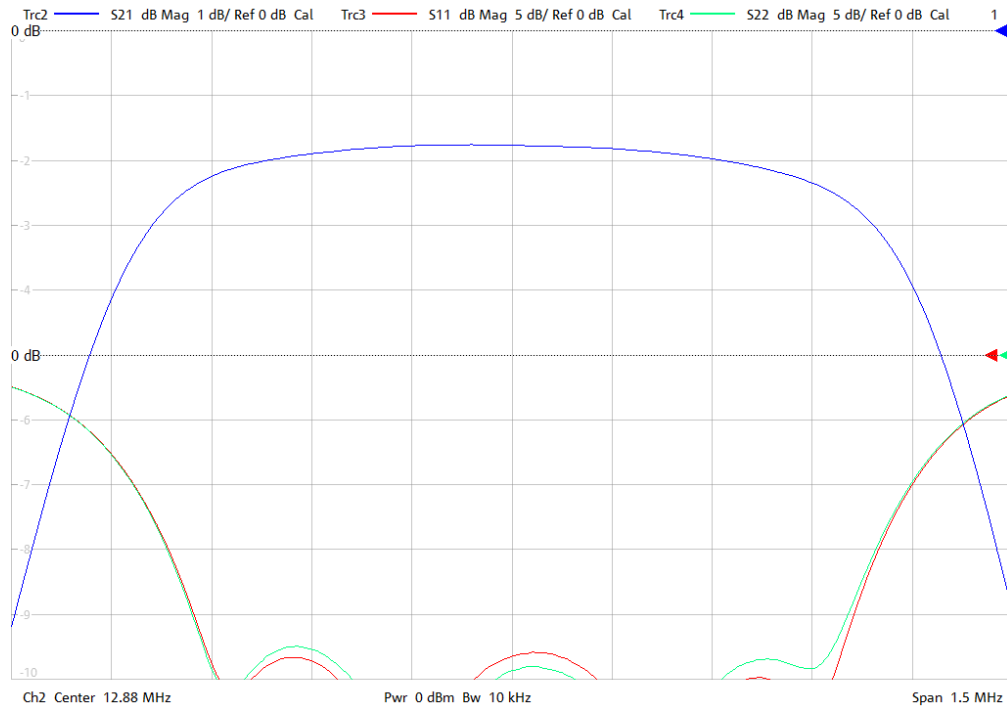
- 12.88 MHz Bandpass
- 3 dB Bandwidth 1.24 MHz typical
- 50  $\Omega$  Source and Load
- SMA Connectors
- Surface Mount Available

## Typical Performance



KR Electronics, Inc.  
91 Avenel Street  
Avenel, NJ 07001

Web [www.krfilters.com](http://www.krfilters.com)  
Email [sales@krfilters.com](mailto:sales@krfilters.com)  
Phone (732) 636-1900  
Fax (732) 636-1982



KR Electronics, Inc.  
 91 Avenel Street  
 Avenel, NJ 07001

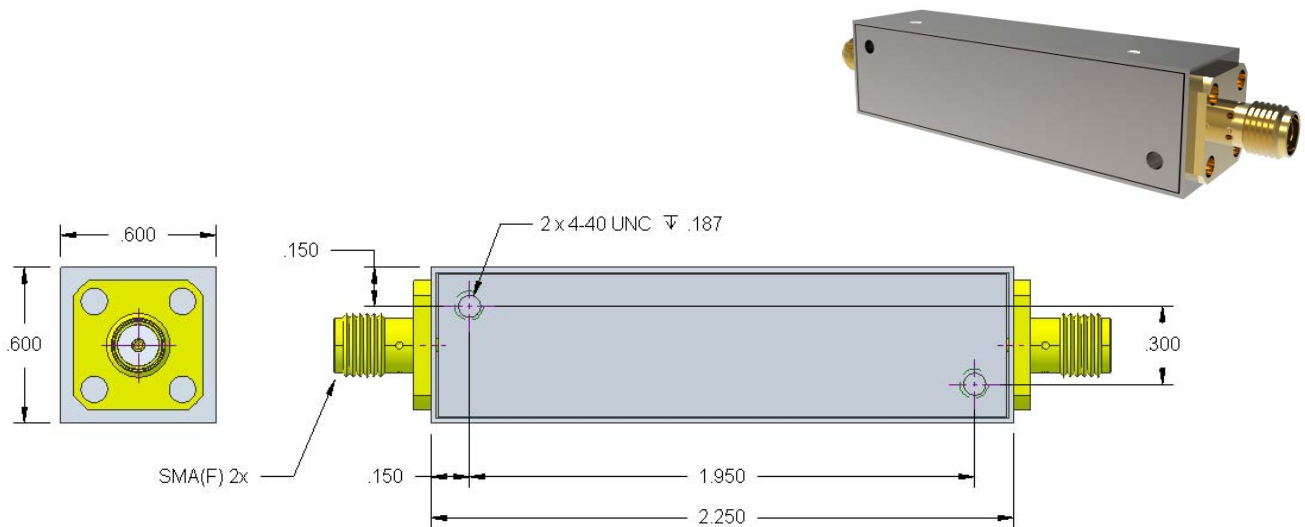
Web www.krfilters.com  
 Email sales@krfilters.com  
 Phone (732) 636-1900  
 Fax (732) 636-1982

# KR Electronics 3396-12.88-SMA

## Specifications

Parameter	Specification	
Filter type	Bandpass	
Center Frequency	12.88 MHz	
Insertion Loss	4 dB max	1.8 dB typical
1 dB Bandwidth	1.03 MHz typical	
3 dB Bandwidth	1.24 MHz typical	
40 dB Bandwidth	3.75 MHz typical	
60 dB Bandwidth	6.70 MHz typical	
Source and Load	50 $\Omega$	

## Physical Dimensions



**Notes:**

1. Dimensions in inches
2. Metal Case
3. SMA(F) Connectors

KR Electronics, Inc.  
91 Avenel Street  
Avenel, NJ 07001

Web [www.krfilters.com](http://www.krfilters.com)  
Email [sales@krfilters.com](mailto:sales@krfilters.com)  
Phone (732) 636-1900  
Fax (732) 636-1982