

## General Description

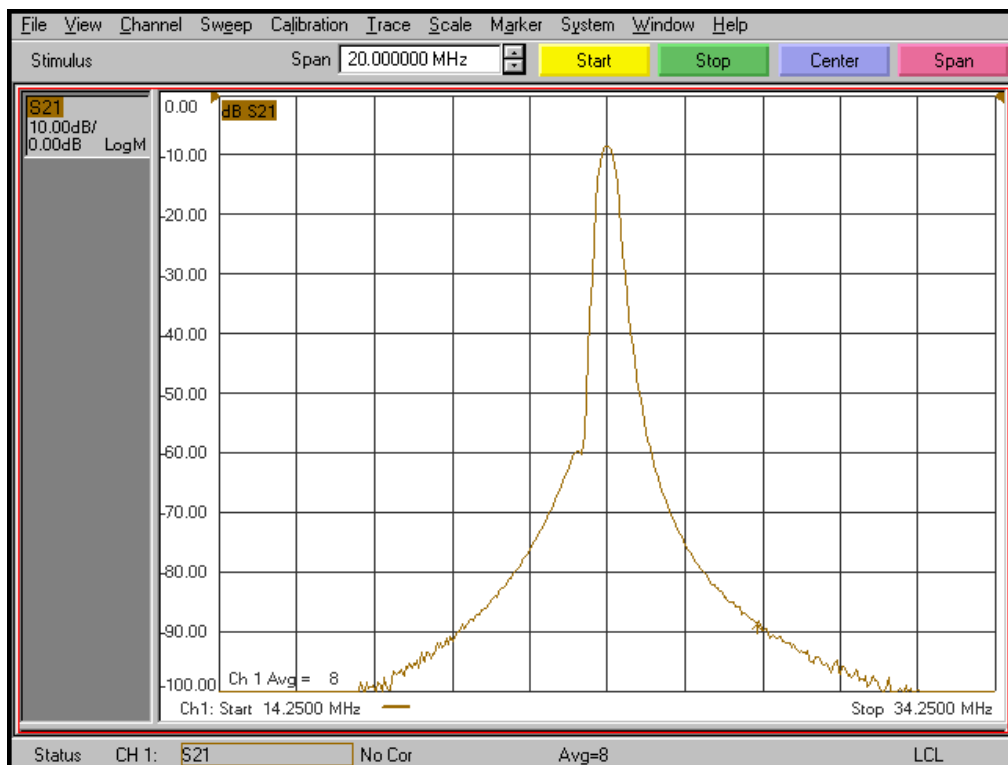
KR Electronics part number 3393-SMA is a 24.25 MHz band-pass filter. The filter has a typical 3 dB bandwidth of 400 KHz. Other center frequencies and bandwidths are available. Please consult the factory.

## Features

- 24.25 MHz Bandpass Filter
- 400 KHz typical 3 dB Bandwidth
- 50  $\Omega$  Source and Load
- Surface Mount
- Also available with SMA Connectors

## Typical Performance

### Overall Response (10 dB/div)

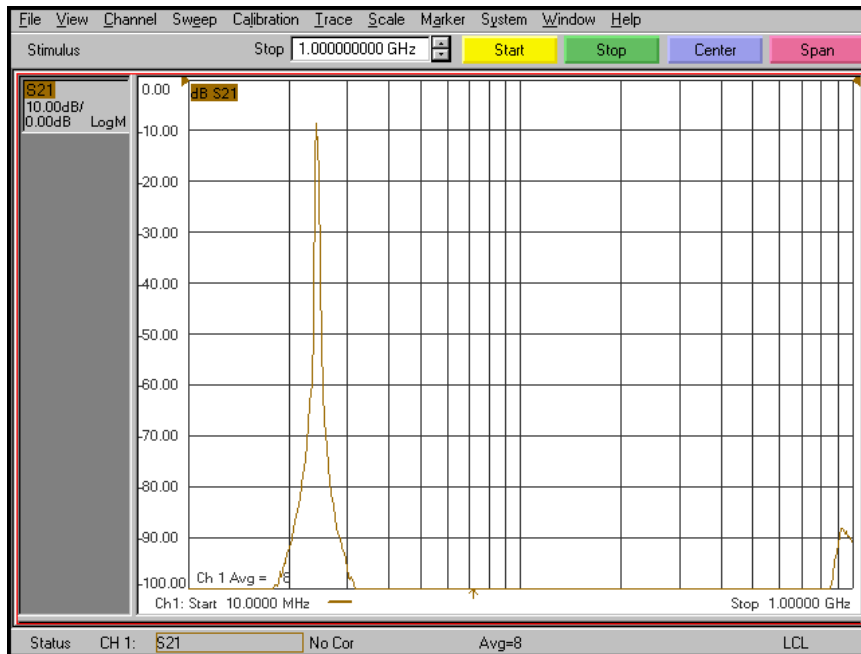


Typical Performance

**Passband Amplitude & Group Delay**  
(1 dB/div & 250 nsec/div)



**Overall Response**  
(10 dB/div)



KR Electronics, Inc.  
91 Avenel Street  
Avenel, NJ 07001

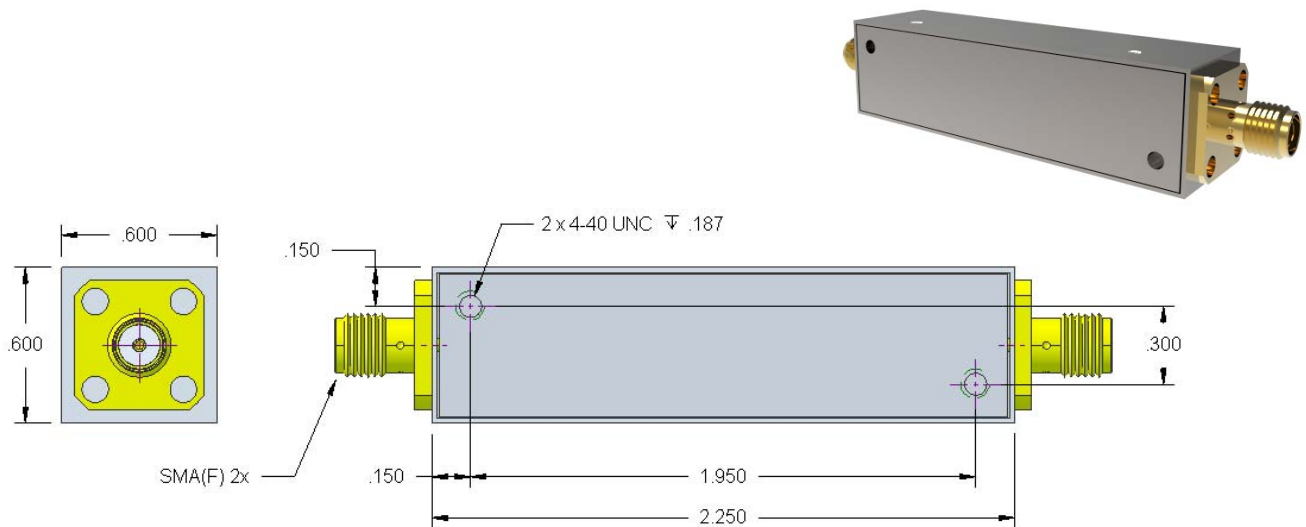
Web [www.krfilters.com](http://www.krfilters.com)  
Email [sales@krfilters.com](mailto:sales@krfilters.com)  
Phone (732) 636-1900  
Fax (732) 636-1982

# KR Electronics 3393-SMA

## Specifications

Parameter	Specification	Notes
Filter type	Bandpass	
Center Frequency	24.25 MHz	
Insertion Loss	10 dBa max	
1 dBc Bandwidth	260 KHz typical	
3 dBc Bandwidth	400 KHz typical	
20 dBc Bandwidth	815 KHz typical	
40 dBc Bandwidth	1320 KHz typical	
Source and Load	50 $\Omega$	

## Physical Dimensions



**Notes:**

1. Dimensions in inches
2. Metal Case
3. SMA(F) Connectors

KR Electronics, Inc.  
91 Avenel Street  
Avenel, NJ 07001

Web [www.krfilters.com](http://www.krfilters.com)  
Email [sales@krfilters.com](mailto:sales@krfilters.com)  
Phone (732) 636-1900  
Fax (732) 636-1982