

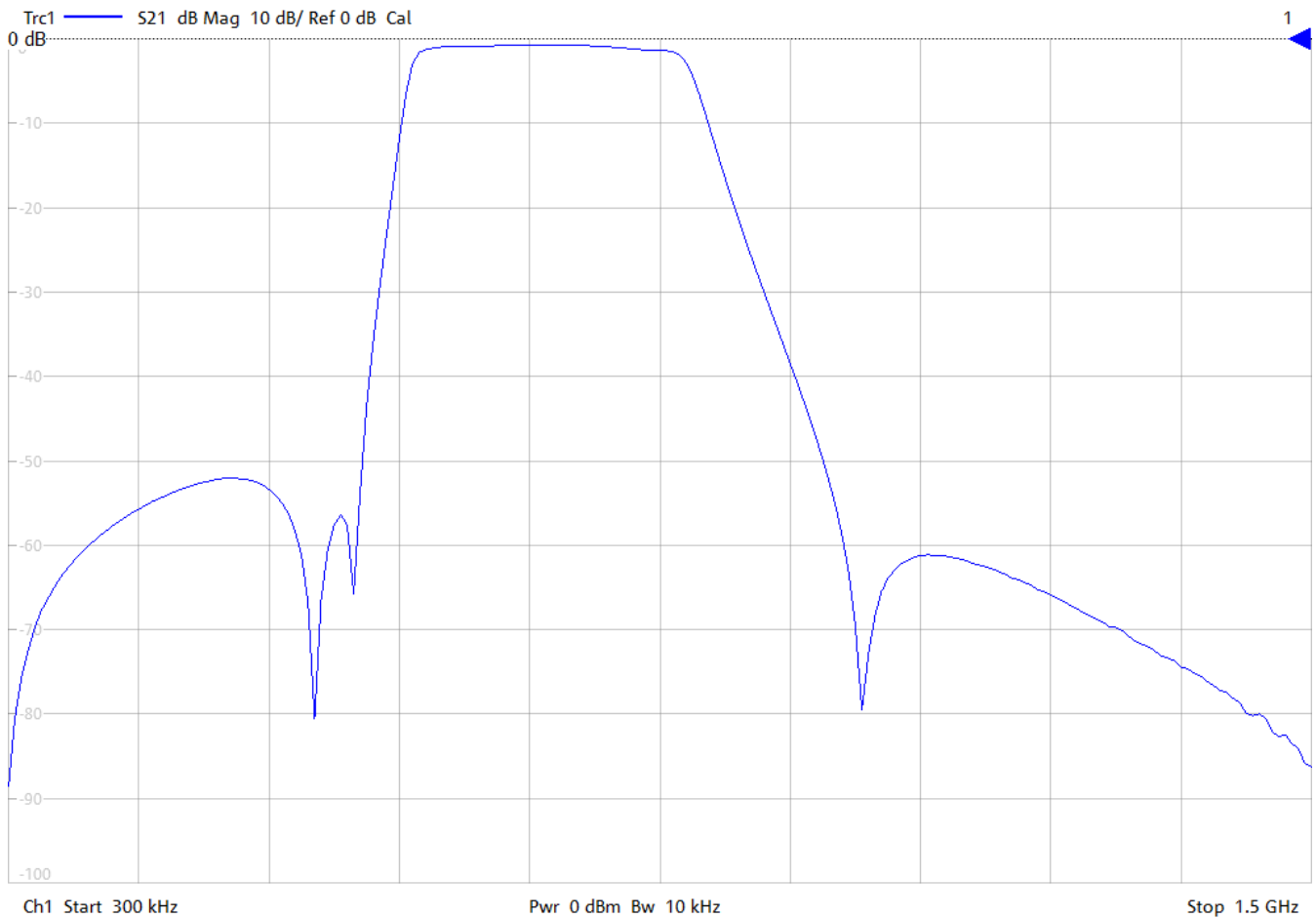
General Description

KR Electronics part number 3392-SMA is a 625 MHz Bandpass Filter. The filter has a minimum 3 dB bandwidth of 300 MHz. Other frequencies are available. Please consult the factory.

Features

- Bandpass Filter
- 625 MHz Center Frequency
- 3 dB Bandwidth: 300 MHz min
- Selective Elliptic Typed Design
- 50 Ω Source and Load
- SMA Connectors
- Surface Mount also available

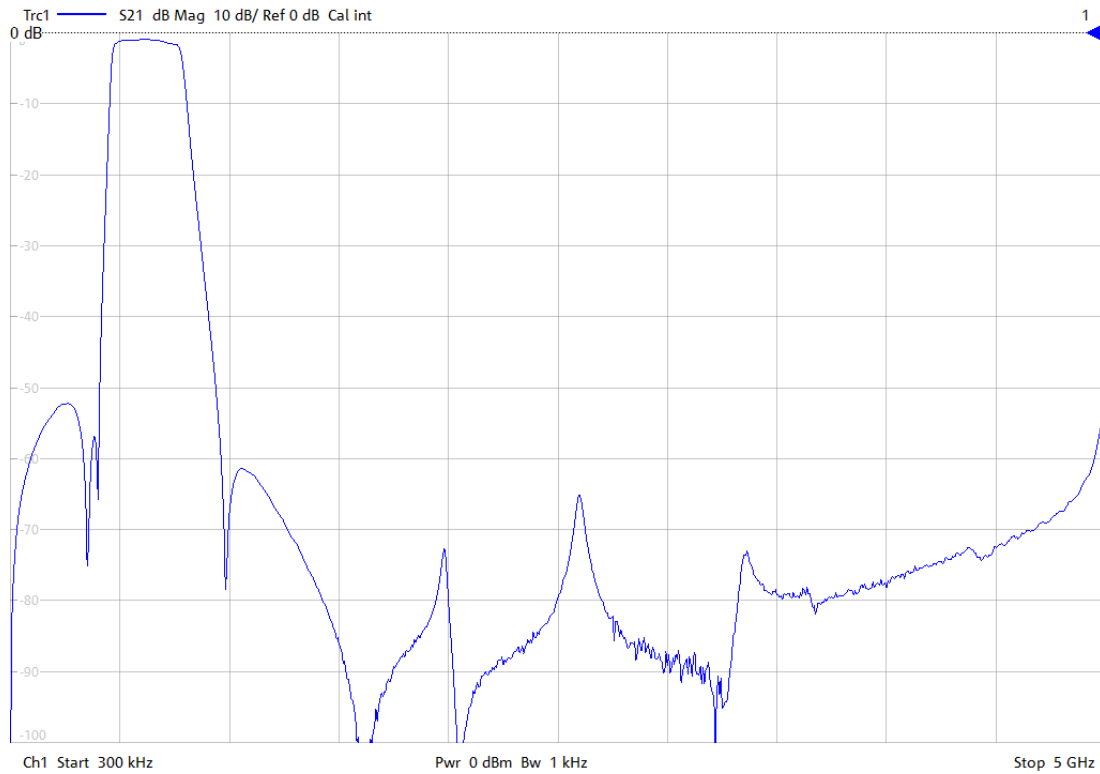
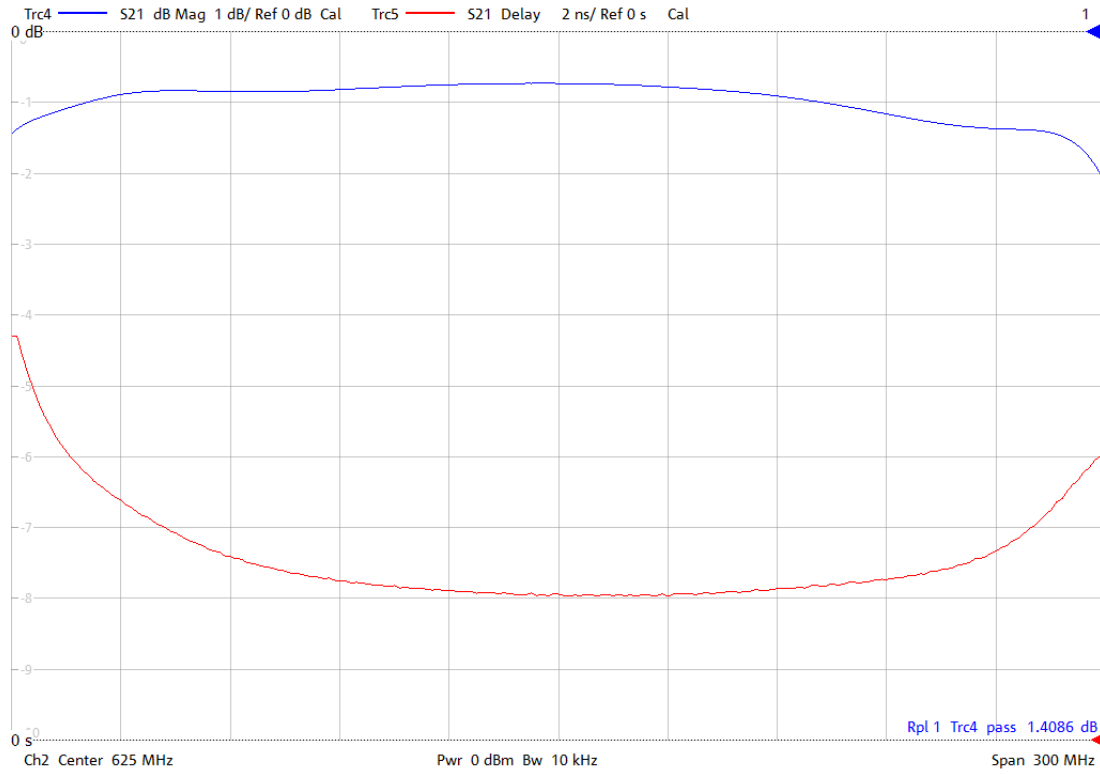
Typical Performance



KR Electronics, Inc.
91 Avenel Street
Avenel, NJ 07001

Web www.krfilters.com
Email sales@krfilters.com
Phone (732) 636-1900
Fax (732) 636-1982

KR Electronics 3392-SMA



KR Electronics, Inc.
91 Avenel Street
Avenel, NJ 07001

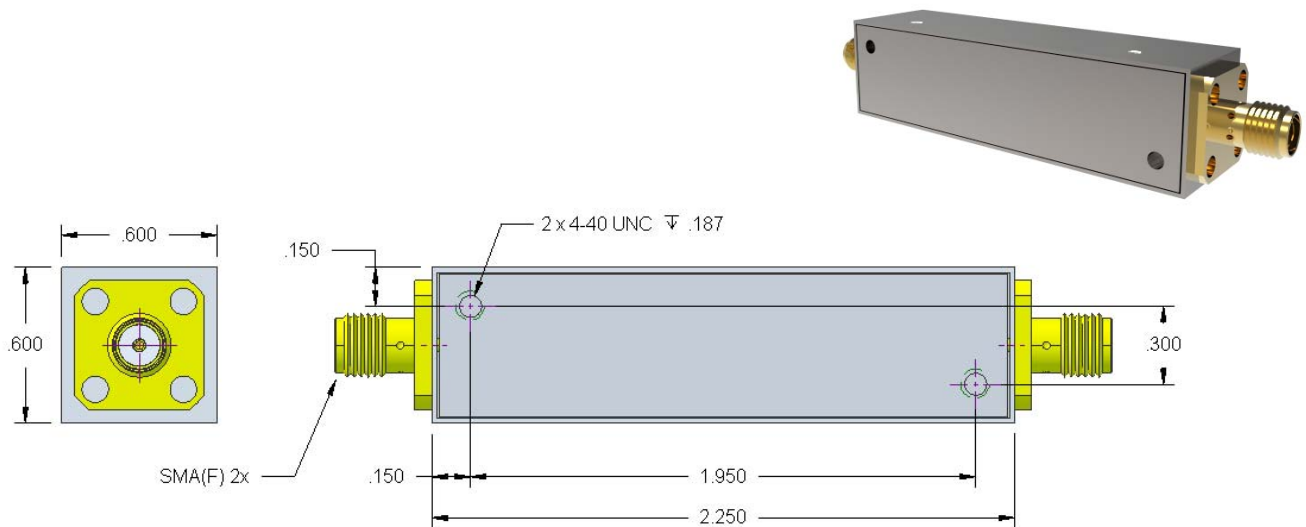
Web www.krfilters.com
Email sales@krfilters.com
Phone (732) 636-1900
Fax (732) 636-1982

KR Electronics 3392-SMA

Specifications

Parameter	Specification	
Filter type	Bandpass	
Frequency Band	625 MHz	
Insertion Loss at 625 MHz	2 dBa max	0.75 dBa typical
1 dBc Bandwidth	297 MHz typical	
3 dBc Bandwidth	300 MHz min	321 MHz typical
Rejection below 400 MHz	25 dBc min	50 dBc typical
Rejection 950 to 1500 MHz	30 dBc min	50 dBc typical to >3 GHz
Source and Load	50 Ω	

Physical Dimensions



Notes:

1. Dimensions in inches
2. Metal Case
3. SMA(F) Connectors

KR Electronics, Inc.
91 Avenel Street
Avenel, NJ 07001

Web www.krfilters.com
Email sales@krfilters.com
Phone (732) 636-1900
Fax (732) 636-1982