

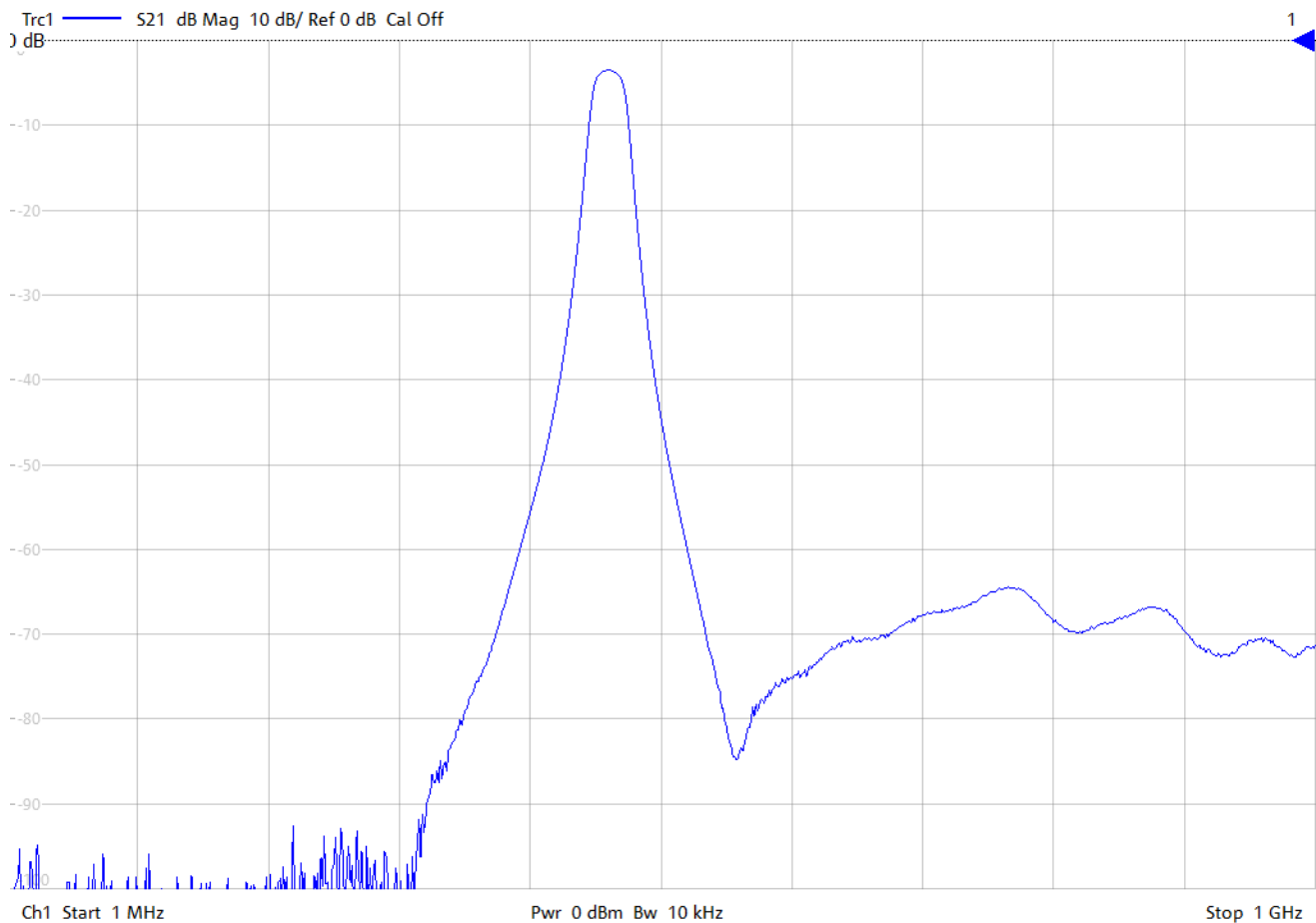
## General Description

KR Electronics part number 3387-460-2 is a 460 MHz Bandpass filter. The filter has a typical 3 dB bandwidth of 25 MHz. Other center frequencies and bandwidths are available. Please consult the factory.

## Features

- 460 MHz Bandpass Filter
- 3 dB Bandwidth: 25 MHz typical
- 40 dB Bandwidth: 81 MHz typical
- 50  $\Omega$  Source and Load
- Surface Mount
- Available with SMA Connectors
- Other frequencies available

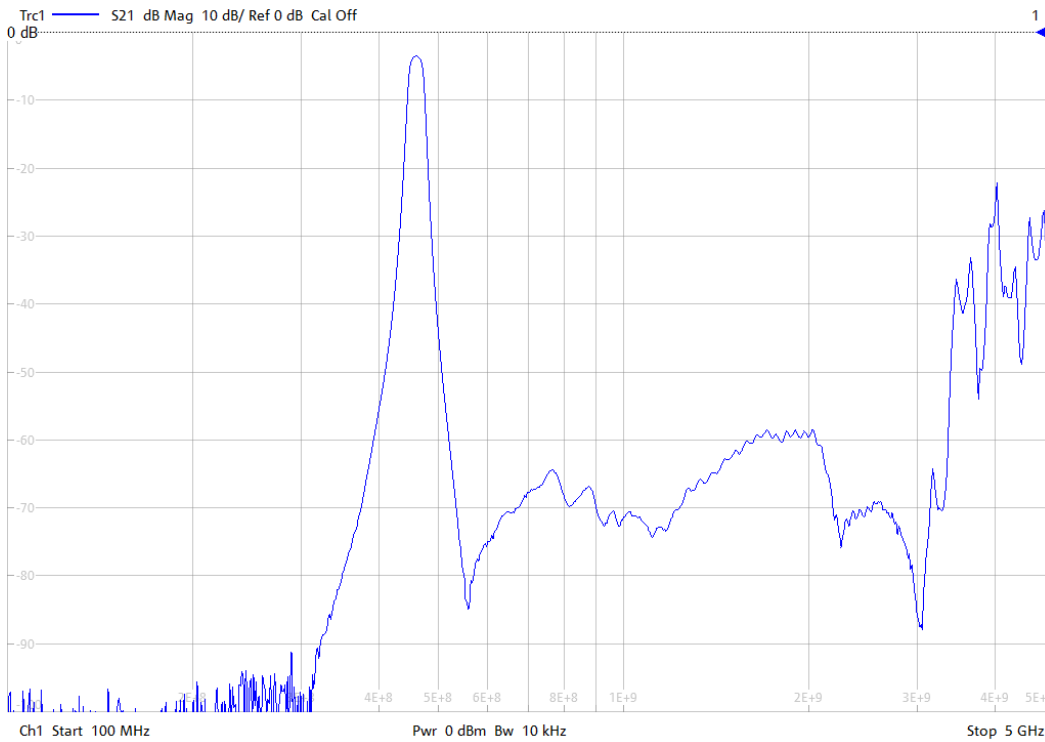
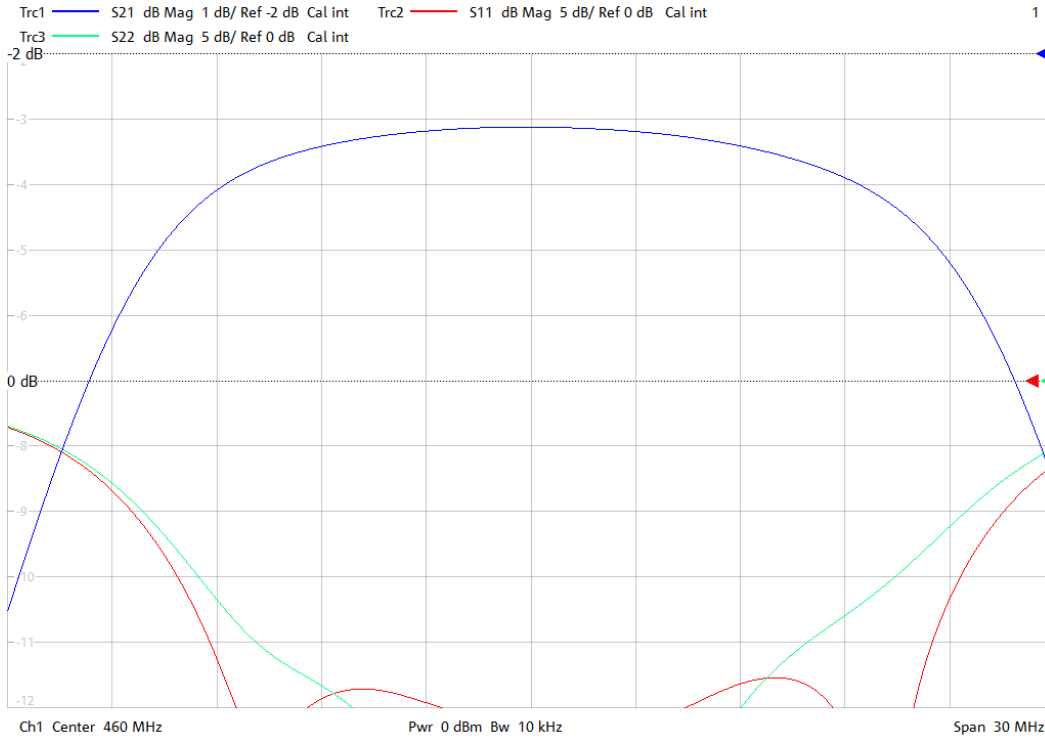
## Typical Performance



KR Electronics, Inc.  
91 Avenel Street  
Avenel, NJ 07001

Web [www.krfilters.com](http://www.krfilters.com)  
Email [sales@krfilters.com](mailto:sales@krfilters.com)  
Phone (732) 636-1900  
Fax (732) 636-1982

# KR Electronics 3387-460-2



KR Electronics, Inc.  
 91 Avenel Street  
 Avenel, NJ 07001

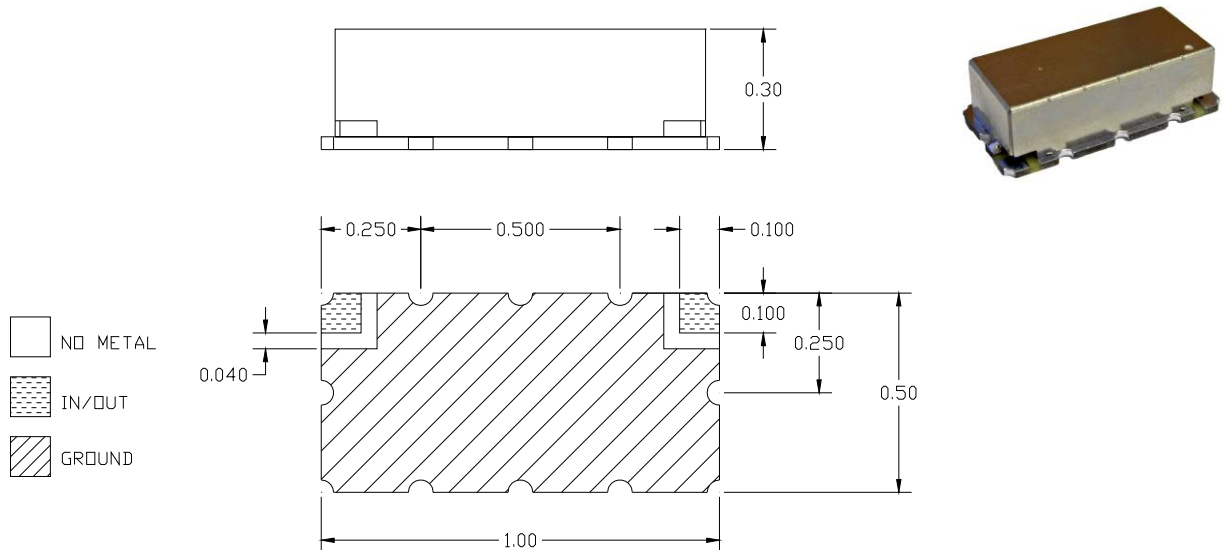
Web            www.krfilters.com  
 Email        sales@krfilters.com  
 Phone        (732) 636-1900  
 Fax            (732) 636-1982

# KR Electronics 3387-460-2

## Specifications

Parameter	Specification	Notes
Filter type	Bandpass	
Center Frequency	460 MHz	
Insertion Loss at Fc	5.5 dBa max	3.1 dBa typical
1 dBc Bandwidth	19 MHz typical	
3 dBc Bandwidth	25 MHz typical	20 MHz min 30 MHz max
40 dBc Bandwidth	81 MHz typical	
60 dBc Bandwidth	140 MHz typical	
Source and Load	50 Ω	

## Physical Dimensions



**Notes:**

1. Surface mount package
2. Dimensions in inches
3. Max reflow temperature 230° C for 10 sec
4. If boards are cleaned after installation units must be completely dried

KR Electronics, Inc.  
91 Avenel Street  
Avenel, NJ 07001

Web [www.krfilters.com](http://www.krfilters.com)  
Email [sales@krfilters.com](mailto:sales@krfilters.com)  
Phone (732) 636-1900  
Fax (732) 636-1982