

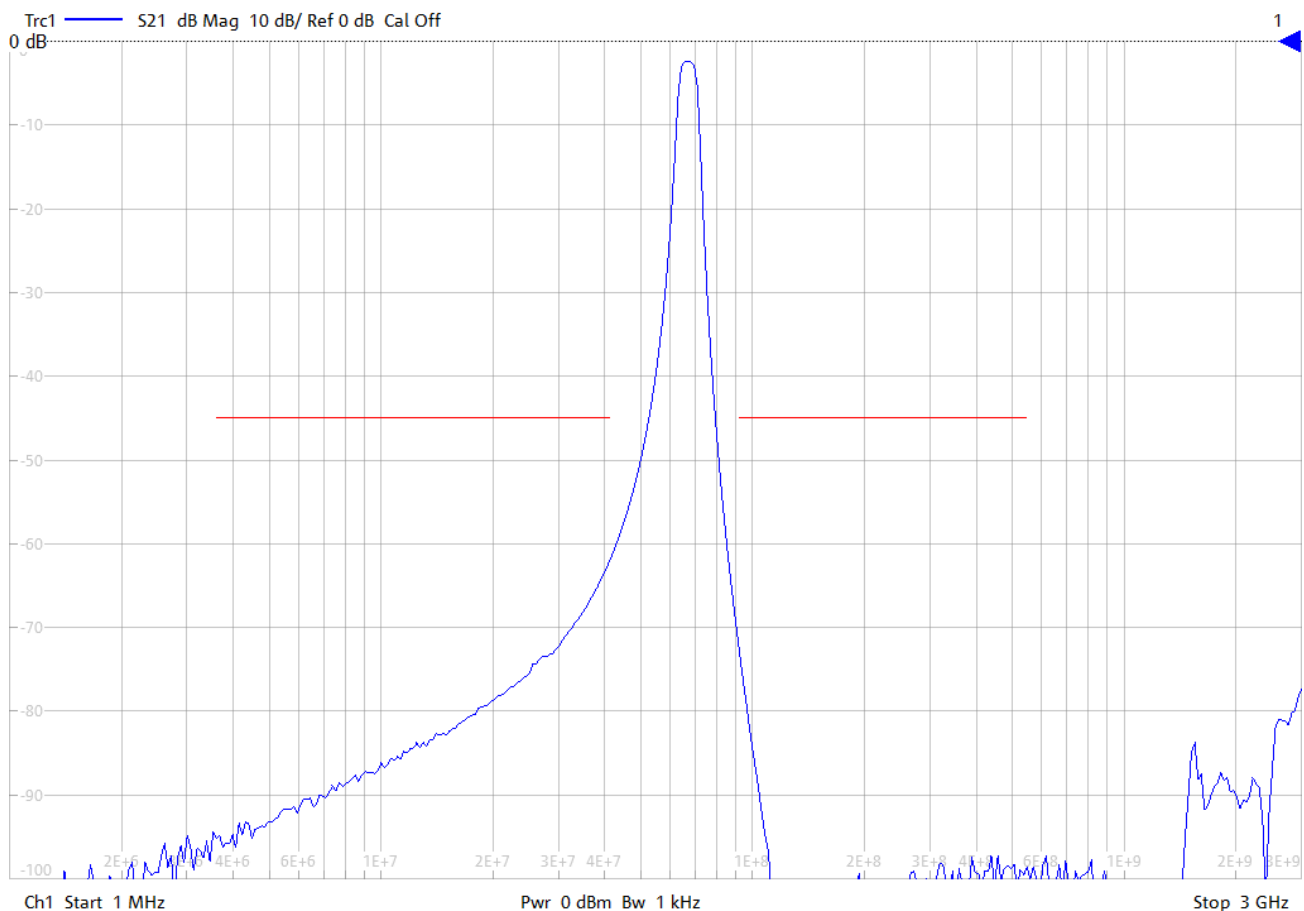
General Description

KR Electronics part number 3386-SMA is a 67 MHz Bandpass filter. The filter has a typical 3 dB bandwidth of 4 MHz. Other center frequencies and bandwidths are available. Please consult the factory.

Features

- 67 MHz Bandpass Filter
- 3 dB Bandwidth 4 MHz min
- 40 dB Bandwidth 25 MHz typical
- High Stopband Attenuation
- 50 Ω Source and Load
- SMA Connectors

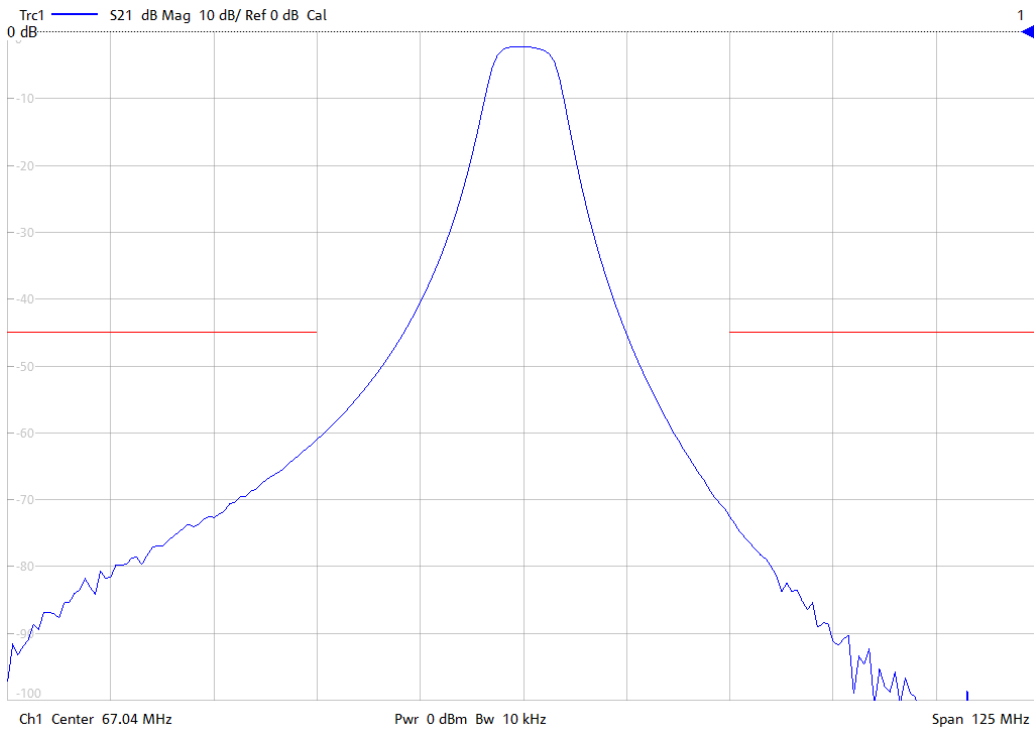
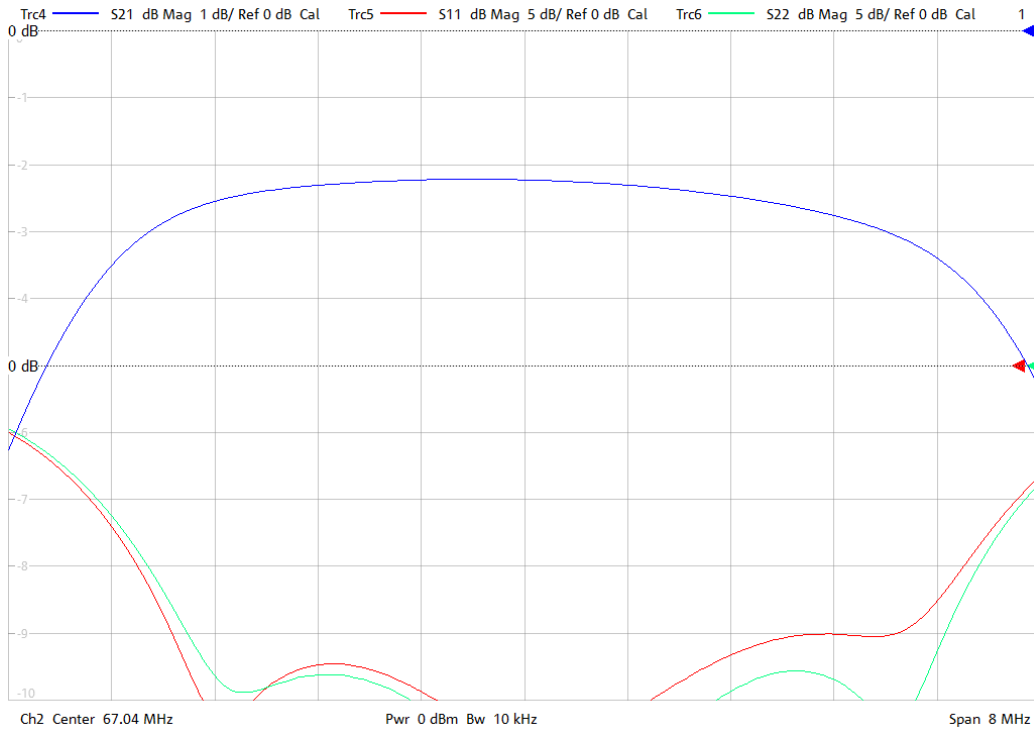
Typical Performance



KR Electronics, Inc.
91 Avenel Street
Avenel, NJ 07001

Web www.krfilters.com
Email sales@krfilters.com
Phone (732) 636-1900
Fax (732) 636-1982

KR Electronics 3386-SMA



KR Electronics, Inc.
91 Avenel Street
Avenel, NJ 07001

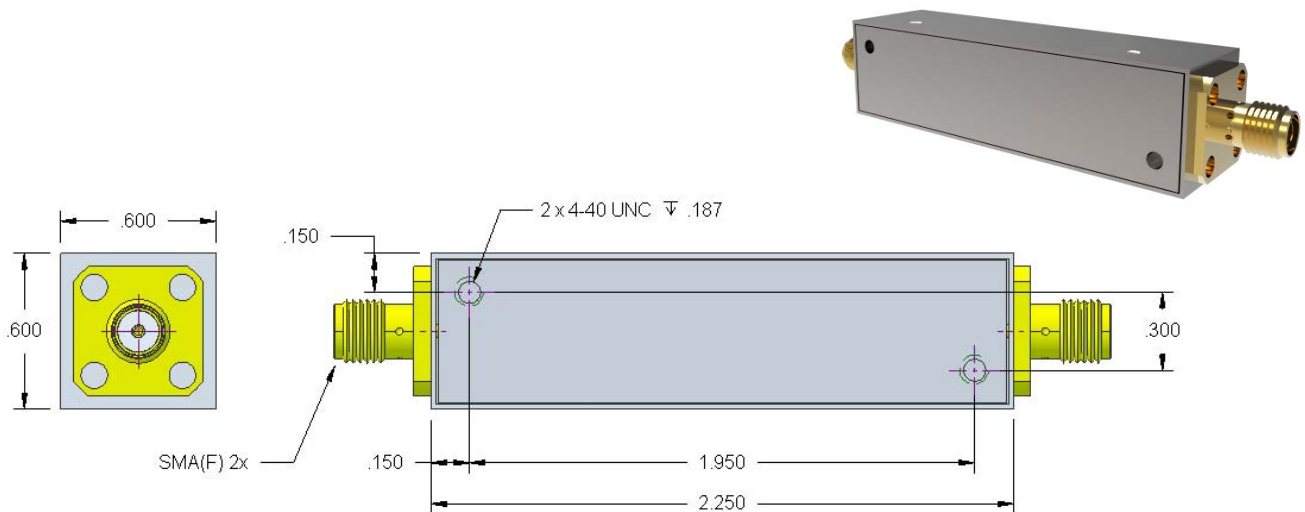
Web www.krfilters.com
Email sales@krfilters.com
Phone (732) 636-1900
Fax (732) 636-1982

KR Electronics 3386-SMA

Specifications

Parameter	Specification	Notes
Filter type	Bandpass	
Center Frequency	67 MHz	
Insertion Loss	5 dBa max	2.2 dBa typical
1 dBc Bandwidth	6.0 MHz typical	
3 dBc Bandwidth	4 MHz min	7.7 MHz typical
40 dBc Bandwidth	50 MHz max	25 MHz typical
60 dBc Bandwidth	45 MHz typical	
Source and Load	50 Ω	

Physical Dimensions



Notes:

1. Dimensions in inches
2. Rectangular case