

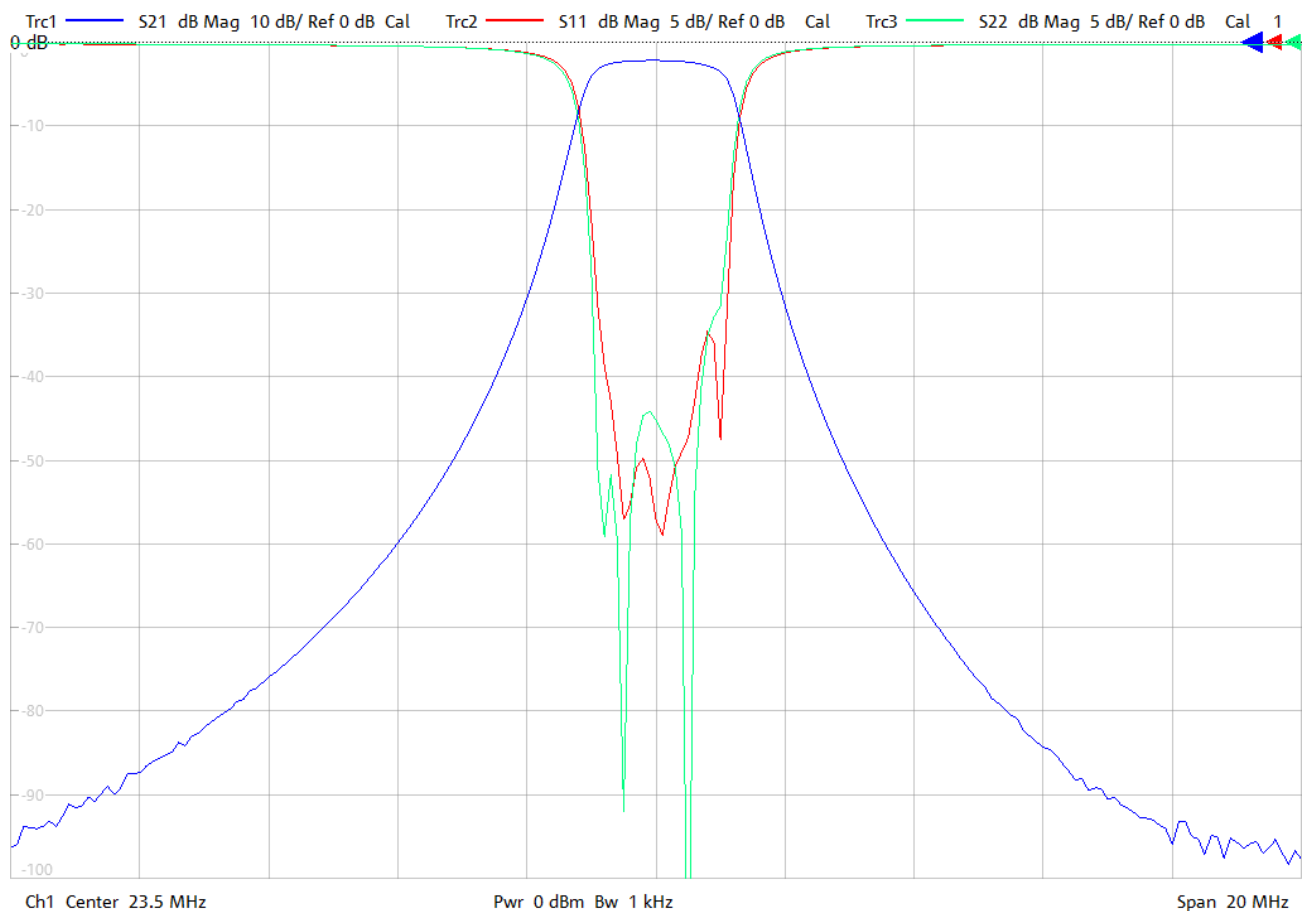
General Description

KR Electronics part number 3384-23.5 is a 23.5 MHz Bandpass filter. The filter has a nominal 3 dB bandwidth of 2.25 MHz. Other center frequencies and bandwidths are available. Please consult the factory.

Features

- 23.5 MHz Bandpass Filter
- 3 dB BW: 2.25 MHz typical
- 40 dB BW: 5 MHz typical
- 50 Ω Load
- Other frequencies available
- PCB Mount
- SMA Connectors also available

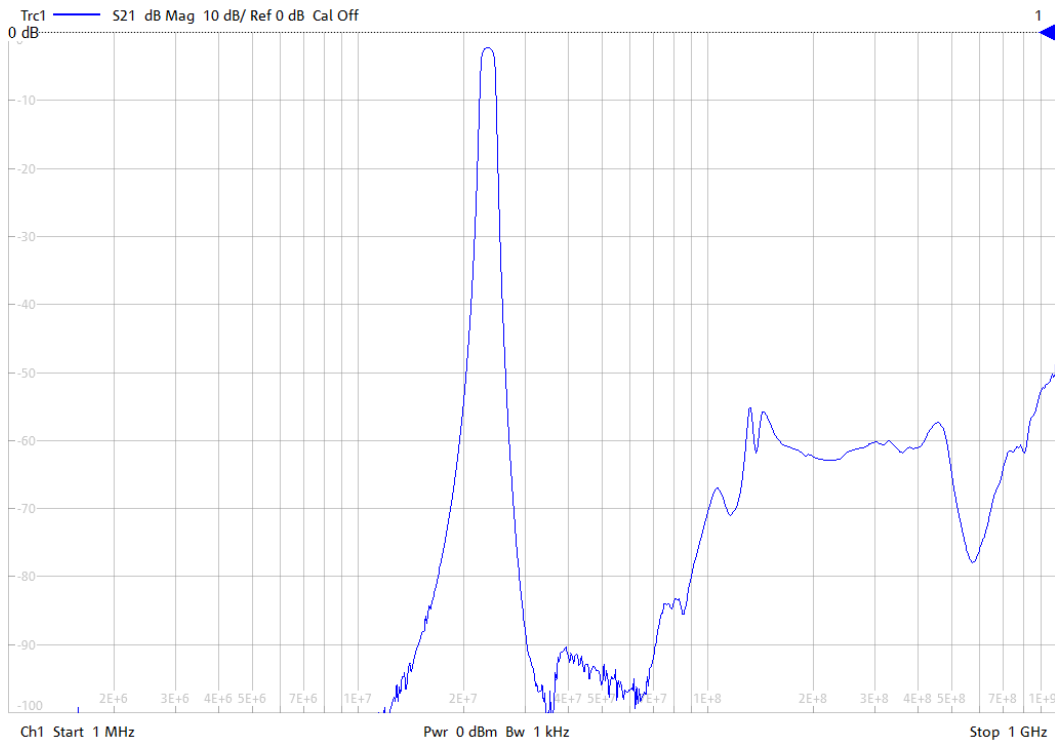
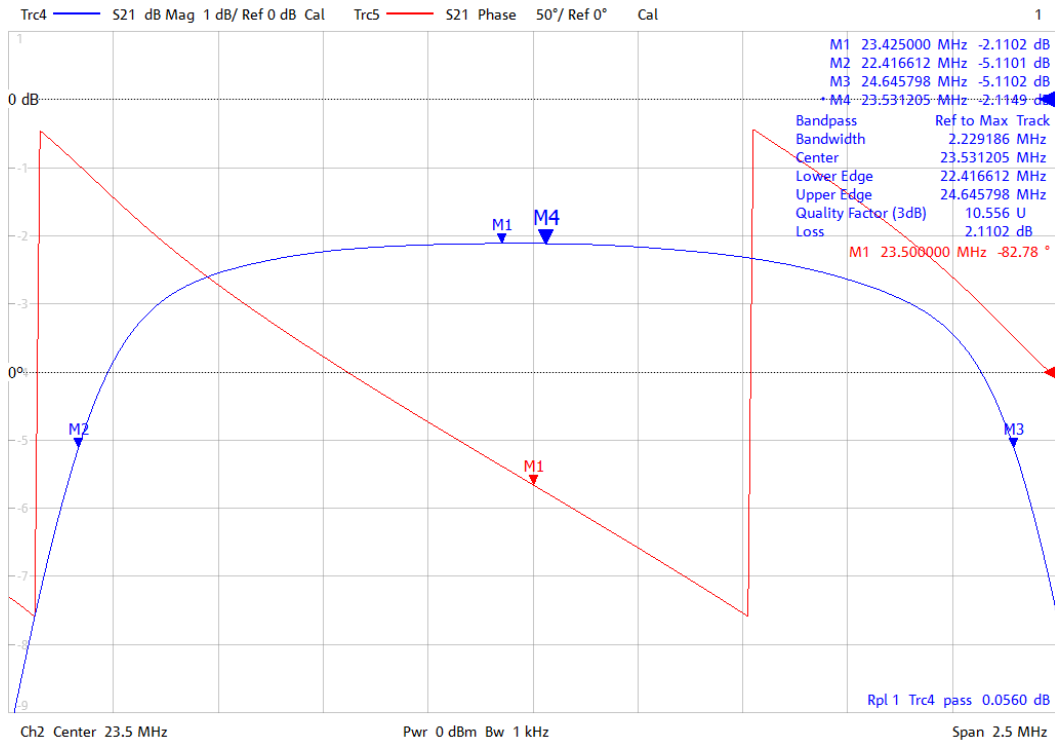
Typical Performance



KR Electronics, Inc.
91 Avenel Street
Avenel, NJ 07001

Web www.krfilters.com
Email sales@krfilters.com
Phone (732) 636-1900
Fax (732) 636-1982

KR Electronics 3384-23.5



KR Electronics, Inc.
 91 Avenel Street
 Avenel, NJ 07001

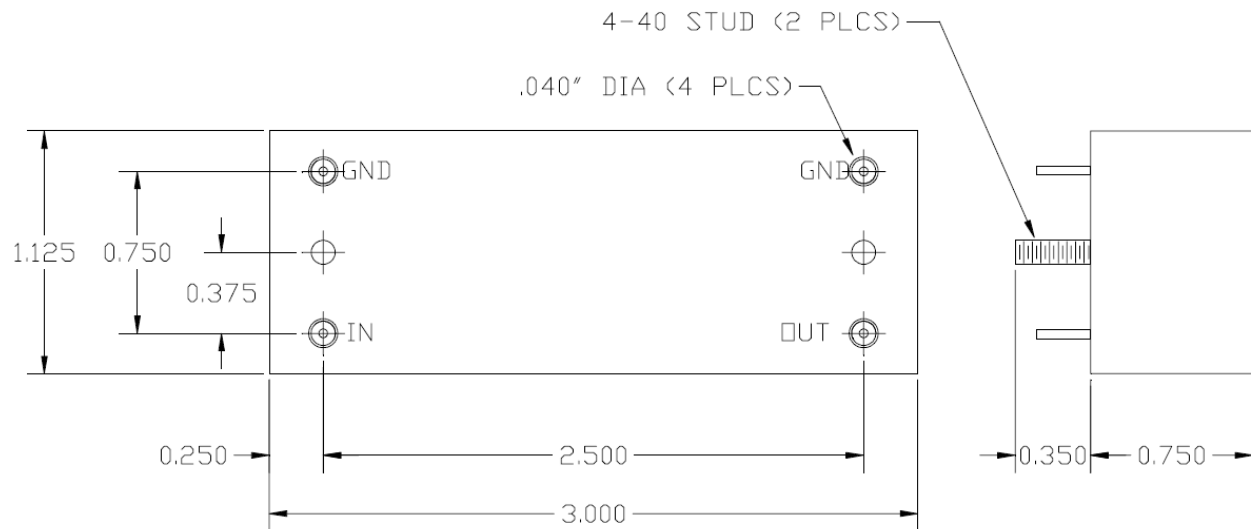
Web www.krfilters.com
 Email sales@krfilters.com
 Phone (732) 636-1900
 Fax (732) 636-1982

KR Electronics 3384-23.5

Specifications

Parameter	Specification	Notes
Filter type	Bandpass	
Center Frequency	23.5 MHz	
Insertion Loss at Fc	3 dBa max	2 dBa typical
3 dBc Bandwidth	2 MHz \pm 300 KHz	2.25 MHz typical
40 dBc Bandwidth	6 MHz max	5 MHz typical
60 dBc Bandwidth	8 MHz typical	
Source & Load Impedance	50 Ω	

Physical Dimensions



Notes:

1. Dimensions in inches
2. Tolerance on outside dimensions ± 0.020

KR Electronics, Inc.
91 Avenel Street
Avenel, NJ 07001

Web www.krfilters.com
Email sales@krfilters.com
Phone (732) 636-1900
Fax (732) 636-1982