

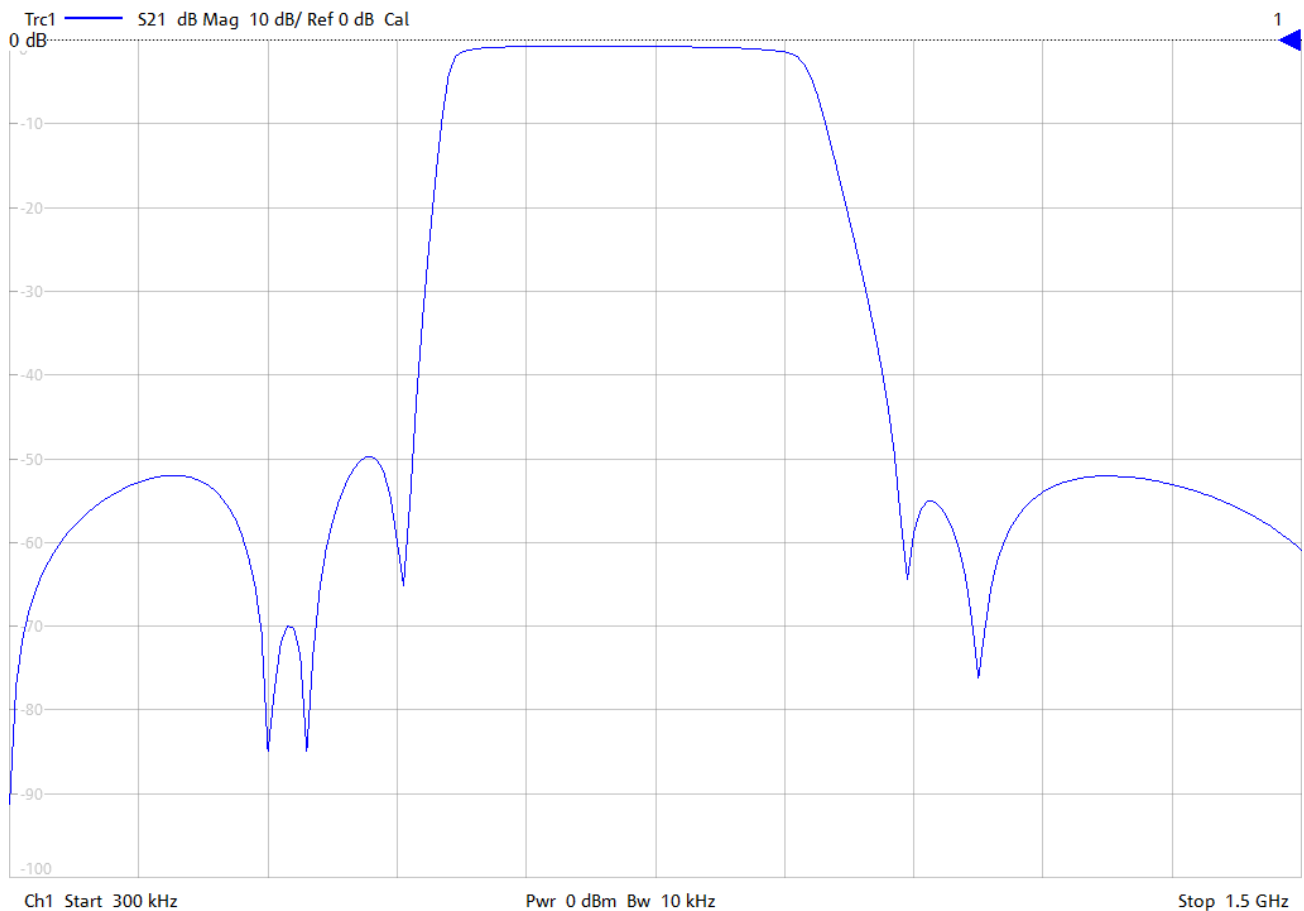
General Description

KR Electronics part number 3378-SMA is a 720 MHz Bandpass filter. The filter has a 3 dB bandwidth of 400 MHz \pm 15% max. Other center frequencies and bandwidths are available. Please consult the factory.

Features

- 720 MHz Bandpass Filter
- 3 dB Bandwidth 400 MHz \pm 15%
- 40 dB Bandwidth 540 MHz typical
- Selective Elliptic Type Design
- 50 Ω Source and Load
- SMA Connectors
- Surface Mount Available

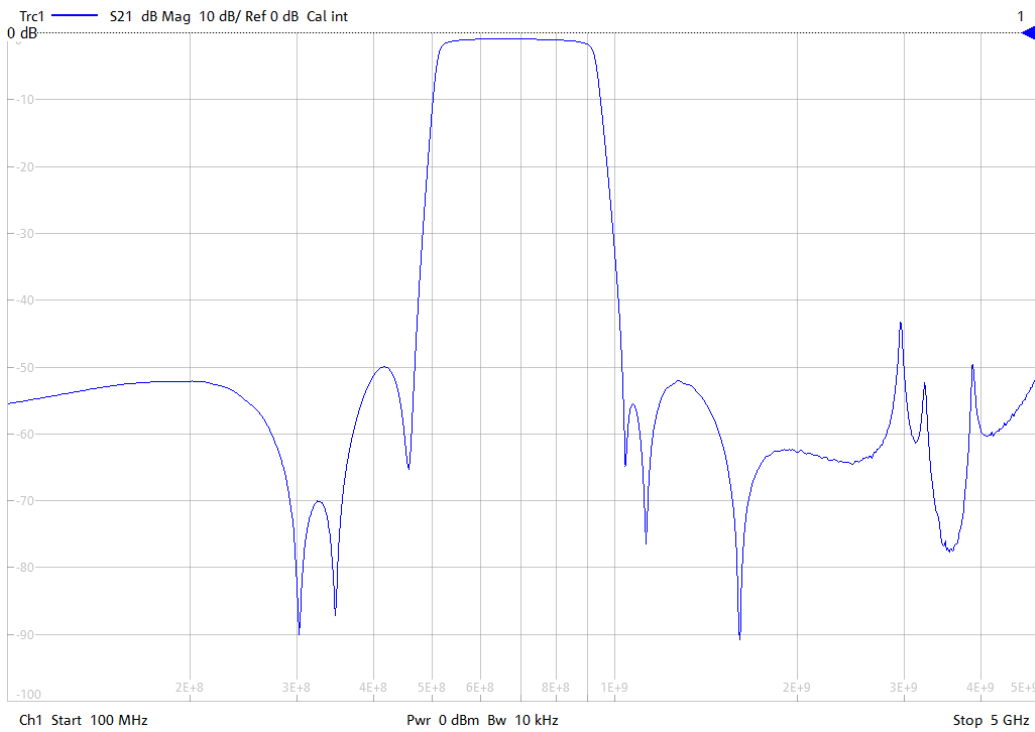
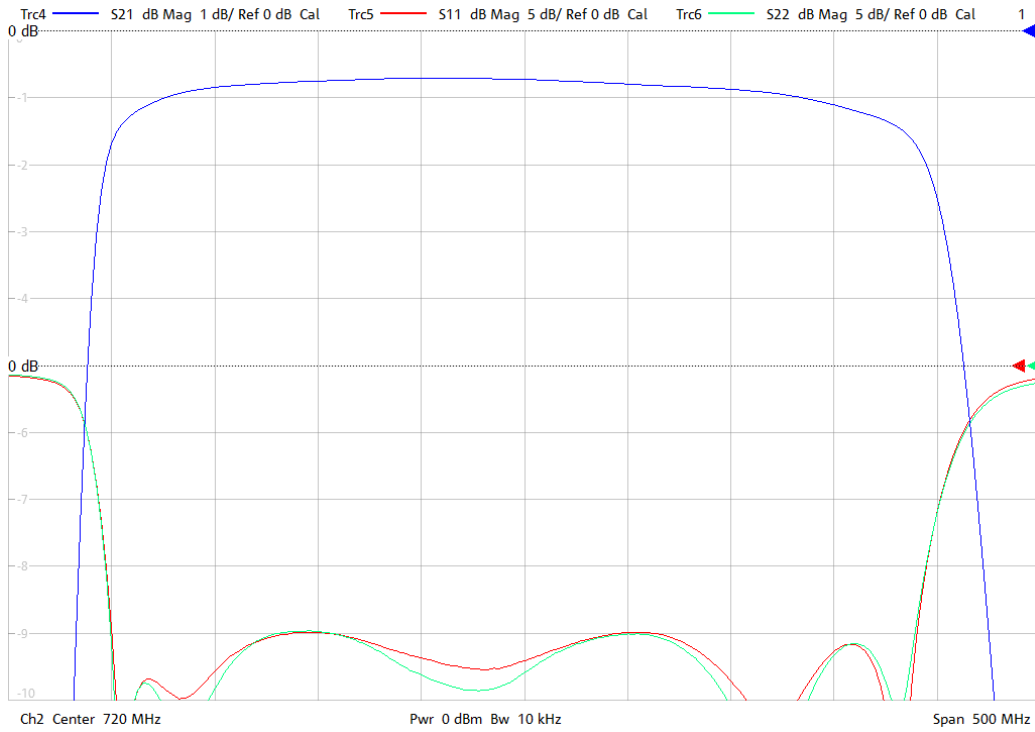
Typical Performance



KR Electronics, Inc.
91 Avenel Street
Avenel, NJ 07001

Web www.krfilters.com
Email sales@krfilters.com
Phone (732) 636-1900
Fax (732) 636-1982

KR Electronics 3378-SMA



KR Electronics, Inc.
 91 Avenel Street
 Avenel, NJ 07001

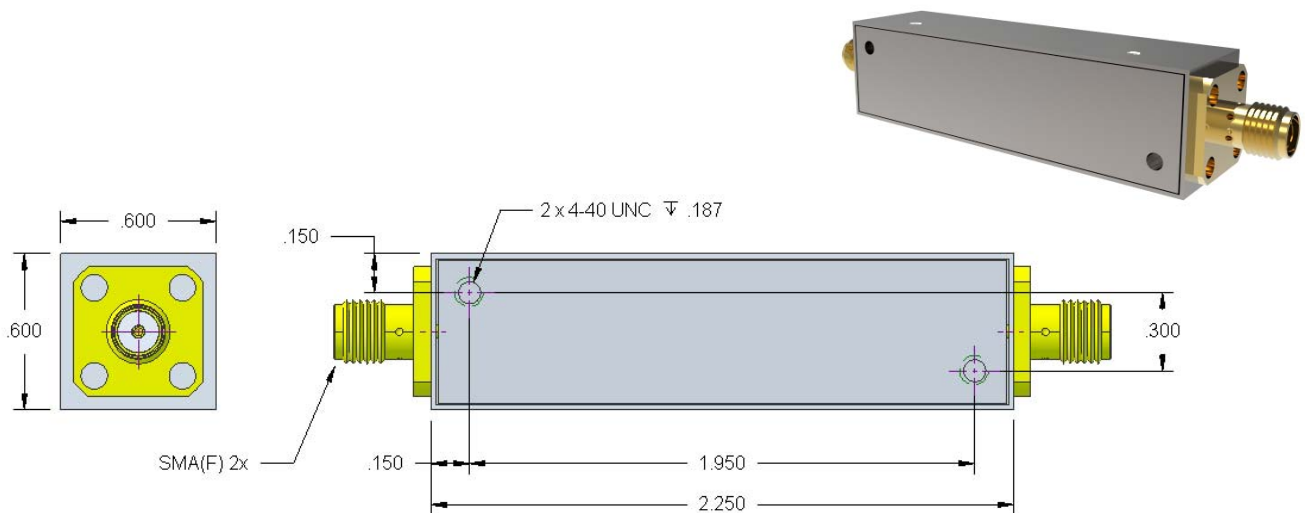
Web www.krfilters.com
 Email sales@krfilters.com
 Phone (732) 636-1900
 Fax (732) 636-1982

KR Electronics 3378-SMA

Specifications

Parameter	Specification	Notes
Filter type	Bandpass	
Center Frequency	720 MHz	
Insertion Loss	2 dBa max	0.7 dBa typical
1 dBc Bandwidth	388 MHz typical	
3 dBc Bandwidth	400 MHz \pm 15%	412 MHz typical
40 dBc Bandwidth	540 MHz typical	
Source and Load	50 Ω	

Physical Dimensions



Notes:

1. Dimensions in inches
2. Rectangular case
3. Also available in surface mount package