

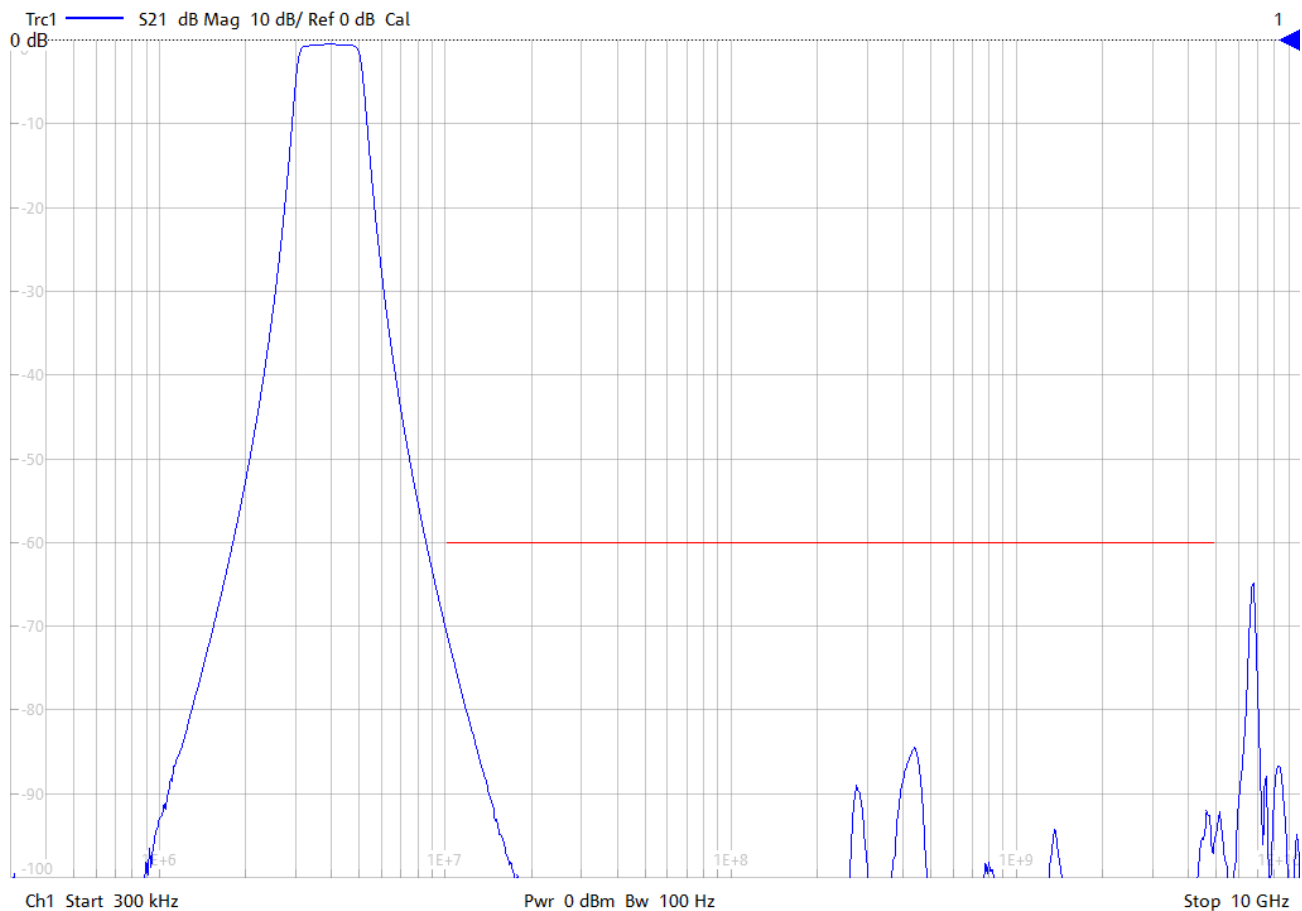
## General Description

KR Electronics part number 3376-SMA is a 4 MHz Bandpass filter. The filter has a typical 3 dB bandwidth of 2.1 MHz. Other center frequencies and bandwidths are available. Please consult the factory.

## Features

- 4 MHz Bandpass Filter
- 3 dB Bandwidth 2.1 MHz typical
- 60 dB Bandwidth 6.8 MHz typical
- High Stopband Attenuation
- Rejection to 5 GHz min
- 50  $\Omega$  Source and Load
- SMA Connectors

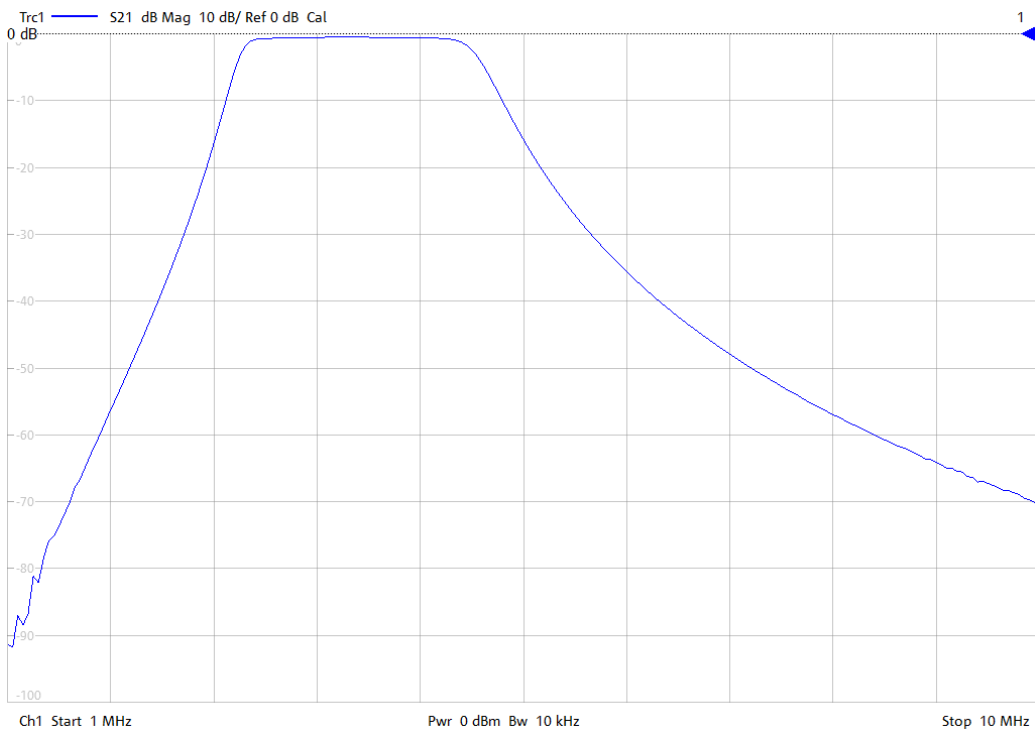
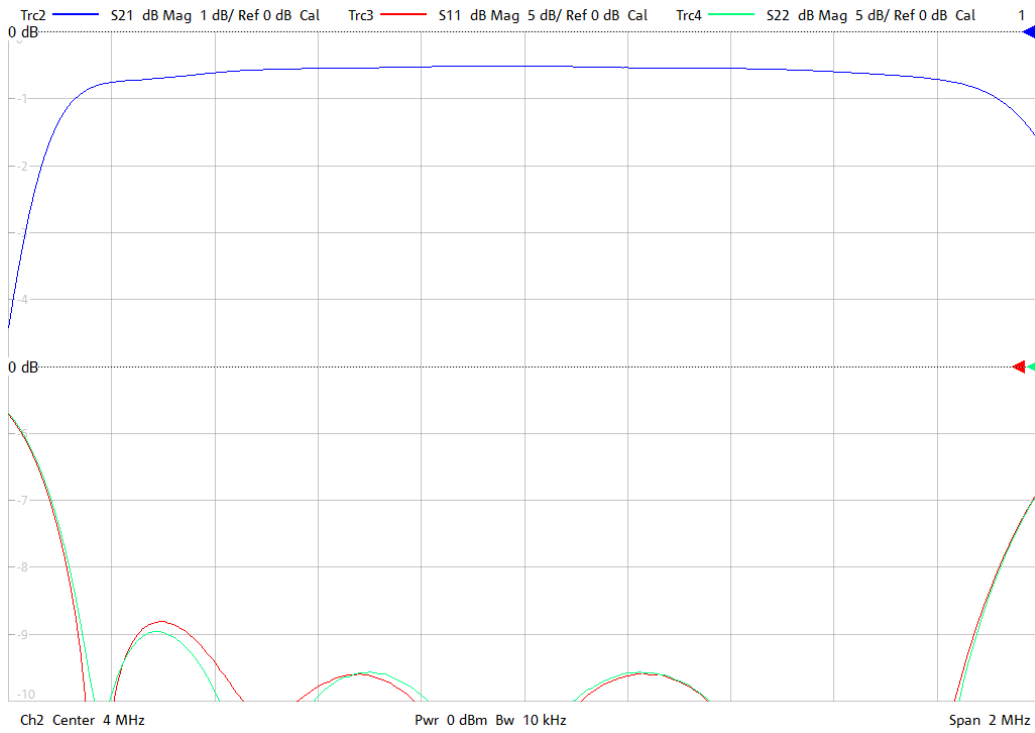
## Typical Performance



KR Electronics, Inc.  
91 Avenel Street  
Avenel, NJ 07001

Web [www.krfilters.com](http://www.krfilters.com)  
Email [sales@krfilters.com](mailto:sales@krfilters.com)  
Phone (732) 636-1900  
Fax (732) 636-1982

# KR Electronics 3376-SMA



KR Electronics, Inc.  
 91 Avenel Street  
 Avenel, NJ 07001

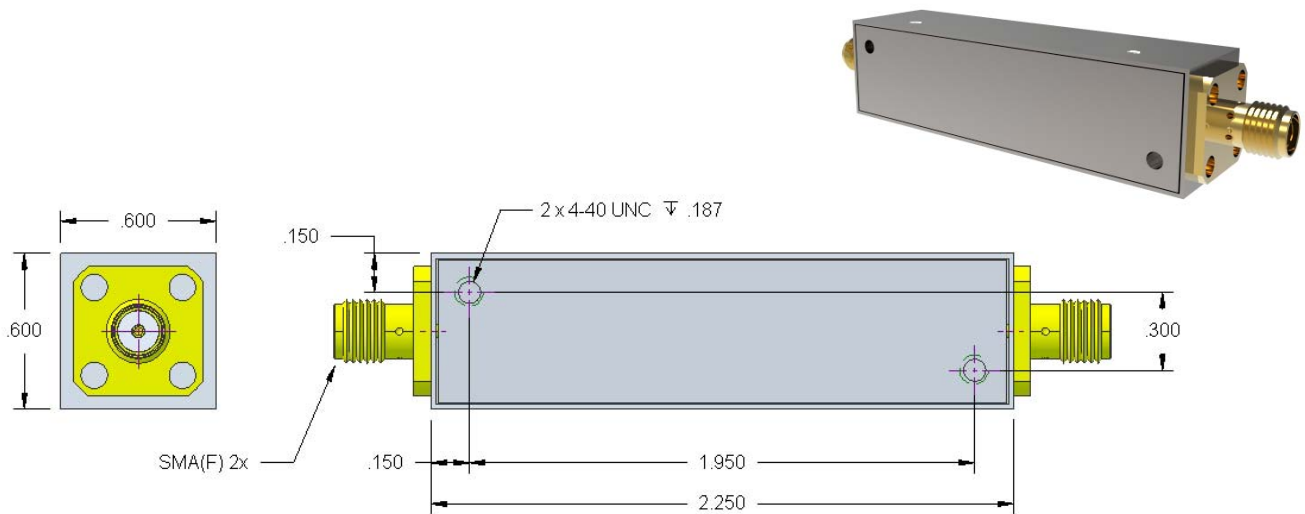
Web            www.krfilters.com  
 Email        sales@krfilters.com  
 Phone        (732) 636-1900  
 Fax            (732) 636-1982

# KR Electronics 3376-SMA

## Specifications

Parameter	Specification	Notes
Filter type	Bandpass	
Center Frequency	4 MHz	
Insertion Loss	1 dBa max	0.5 dBa typical
1 dBc Bandwidth	1.9 MHz typical	
3 dBc Bandwidth	2.1 MHz typical	
40 dBc Bandwidth	4.42 MHz typical	
60 dBc Bandwidth	6.83 MHz typical	
60 dB Rejection	10 MHz to 5 GHz	
Source and Load	50 Ω	

## Physical Dimensions



**Notes:**

1. Dimensions in inches
2. Rectangular case