

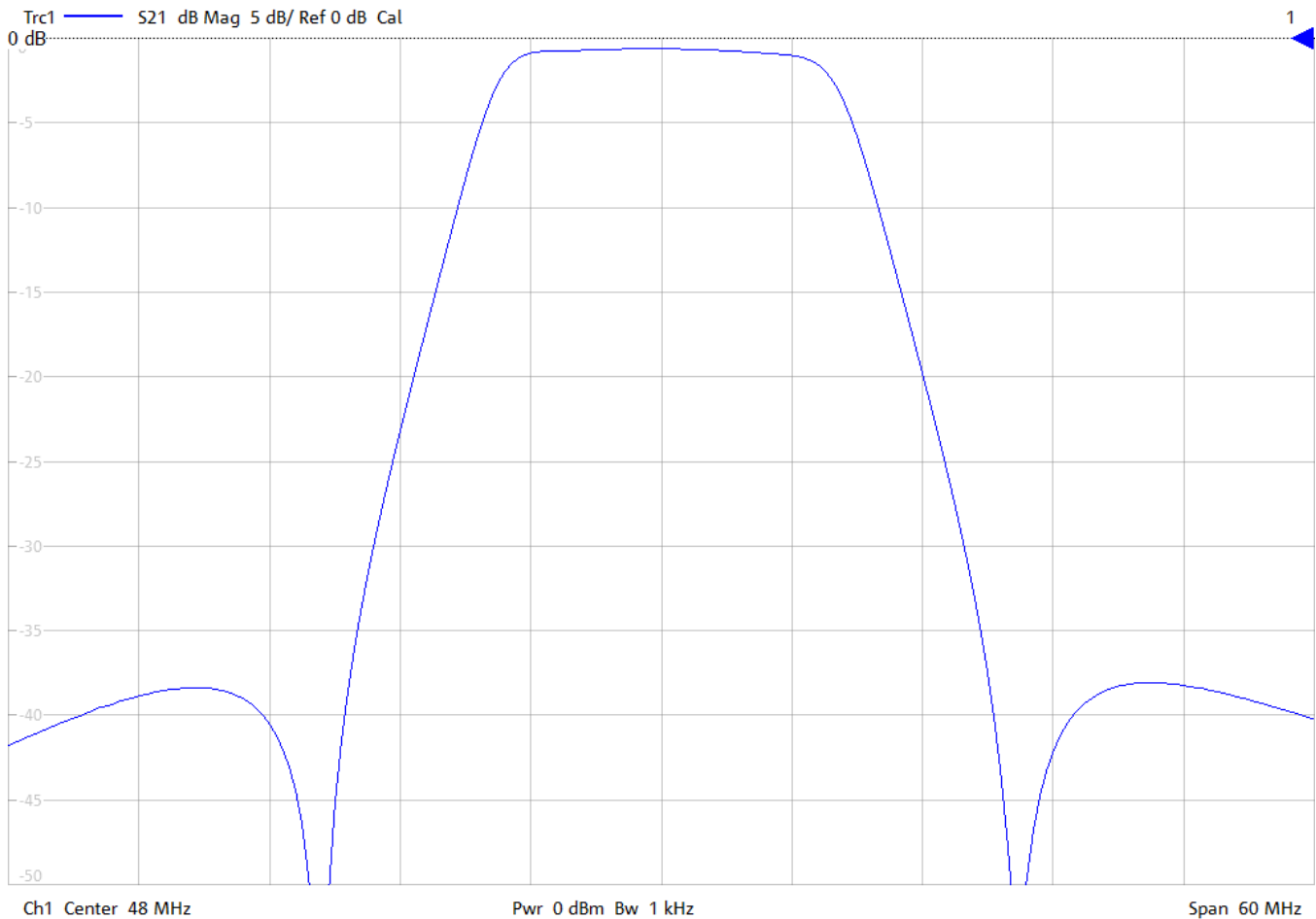
## General Description

KR Electronics part number 3359 is a 48 MHz Bandpass filter. The filter has a 1 dB bandwidth of 14 MHz. Other center frequencies and bandwidths are available. Please consult the factory.

## Features

- 48 MHz Bandpass Filter
- 1 dB BW: 13.5 MHz  $\pm$ 1.5 MHz
- 30 dB BW: 30 MHz max
- Selective Elliptic Response
- 50  $\Omega$  Source and Load
- Other frequencies available
- Surface Mount
- SMA also available

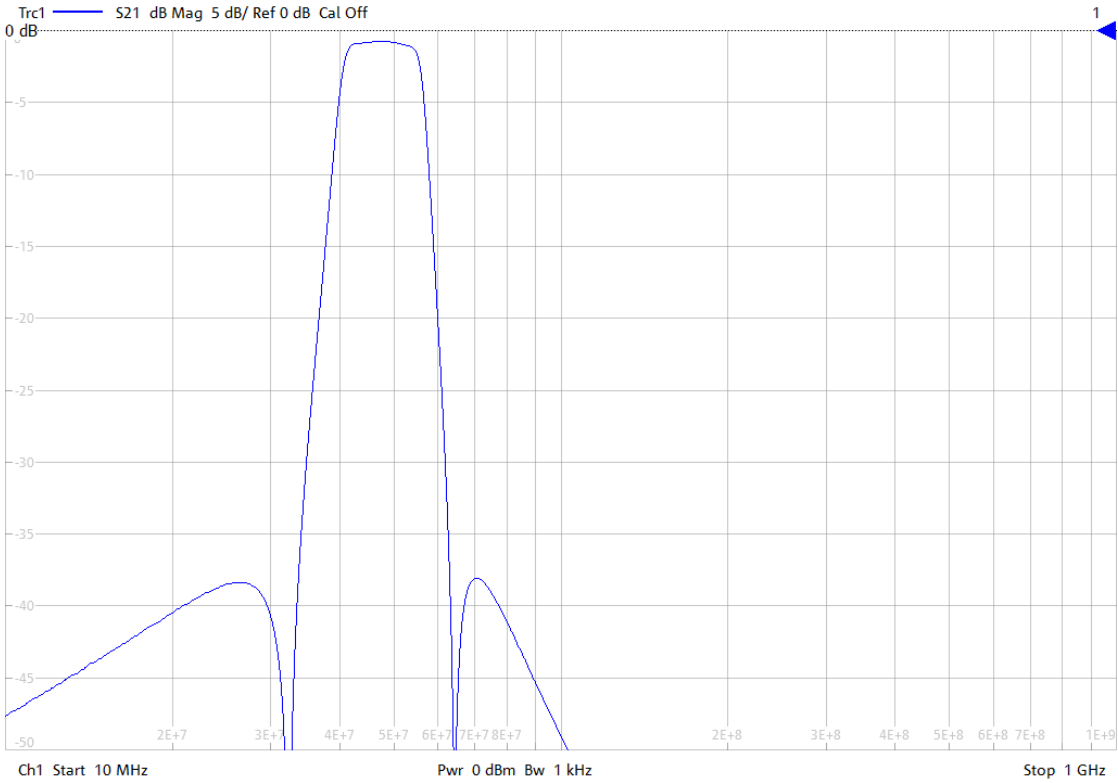
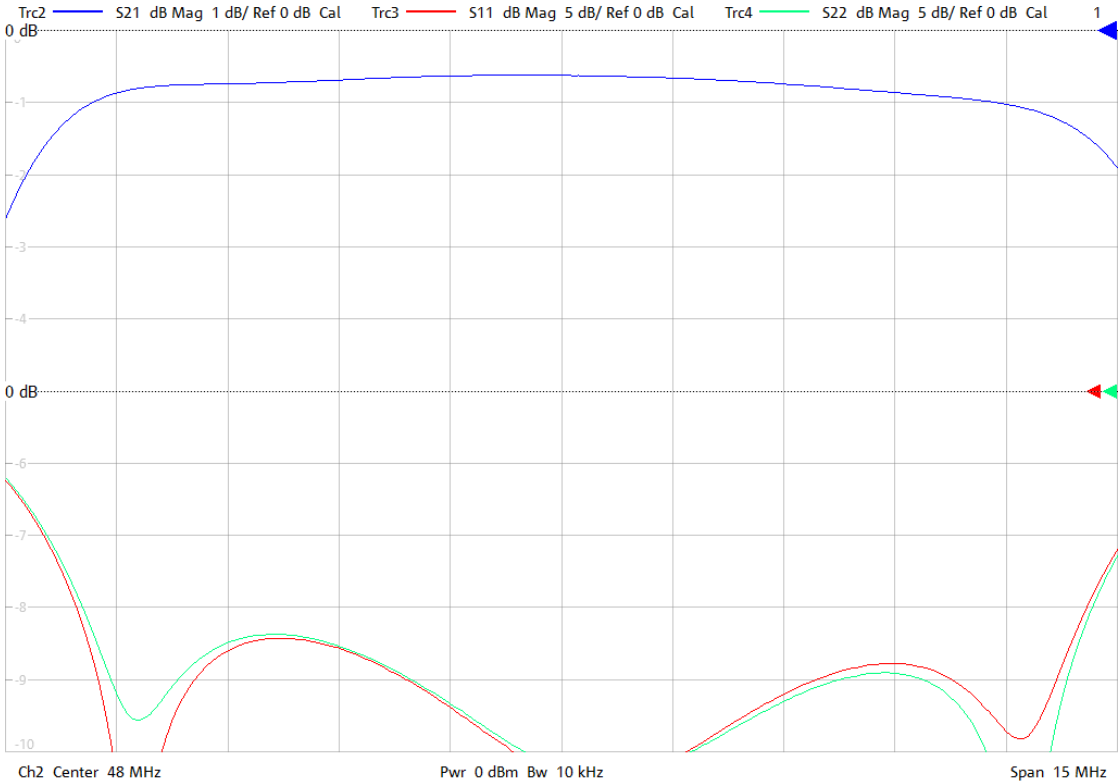
## Typical Performance



KR Electronics, Inc.  
91 Avenel Street  
Avenel, NJ 07001

Web [www.krfilters.com](http://www.krfilters.com)  
Email [sales@krfilters.com](mailto:sales@krfilters.com)  
Phone (732) 636-1900  
Fax (732) 636-1982

# KR Electronics 3359



KR Electronics, Inc.  
91 Avenel Street  
Avenel, NJ 07001

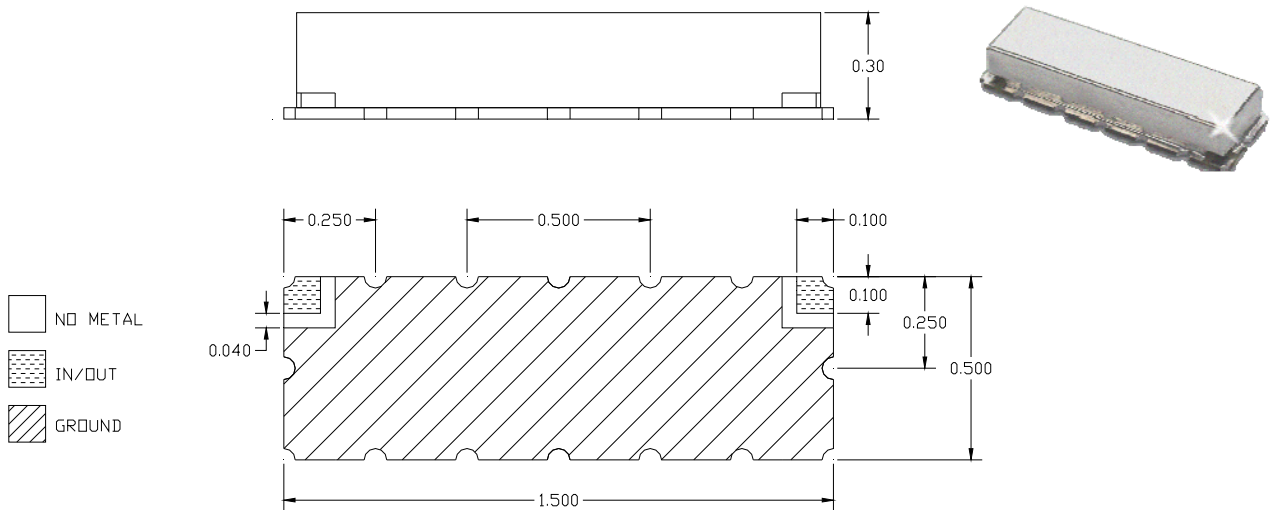
Web      www.krfilters.com  
Email    sales@krfilters.com  
Phone    (732) 636-1900  
Fax      (732) 636-1982

# KR Electronics 3359

## Specifications

Parameter	Specification	Notes
Filter type	Bandpass	
Center Frequency	48 MHz	
Insertion Loss at Fc	1.5 dBa max	0.6 dBa typical
1 dBc Bandwidth	13.5 MHz ±1.5 MHz	14 MHz typical
3 dBc Bandwidth	16 MHz typical	
30 dBc Bandwidth	30 MHz max	27 MHz typical
Source and Load	50 Ω	

## Physical Dimensions



### Notes:

1. Surface mount package — Metal cover open frame
2. Dimensions in inches
3. Maximum reflow temperature is 230° C for 10 sec maximum.
4. If boards are cleaned after installation, units must be completely dried.
5. Also available in a case with SMA connectors