

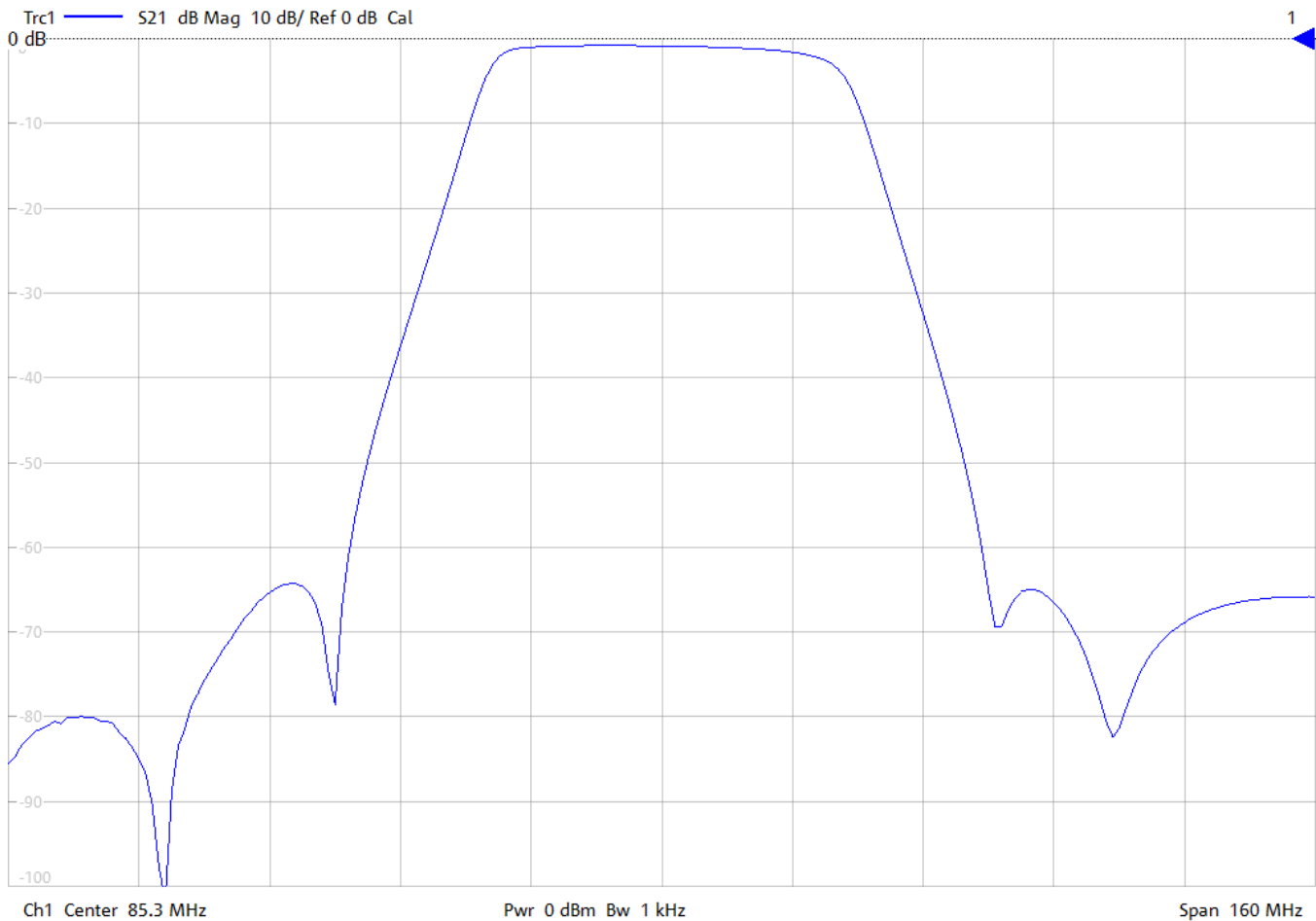
General Description

KR Electronics part number 3357-85 is a 85.3 MHz Bandpass filter. The filter has a minimum 3 dB bandwidth of 35 MHz. Other center frequencies and bandwidths are available. Please consult the factory.

Features

- 85.3 MHz Bandpass Filter
- 3 dB BW 35 MHz min , 43 MHz typ
- 50 dB BW 100 MHz max, 74 MHz typ
- Selective Elliptic Response
- 50 Ω Source and Load
- Other frequencies available
- Surface Mount
- SMA also available

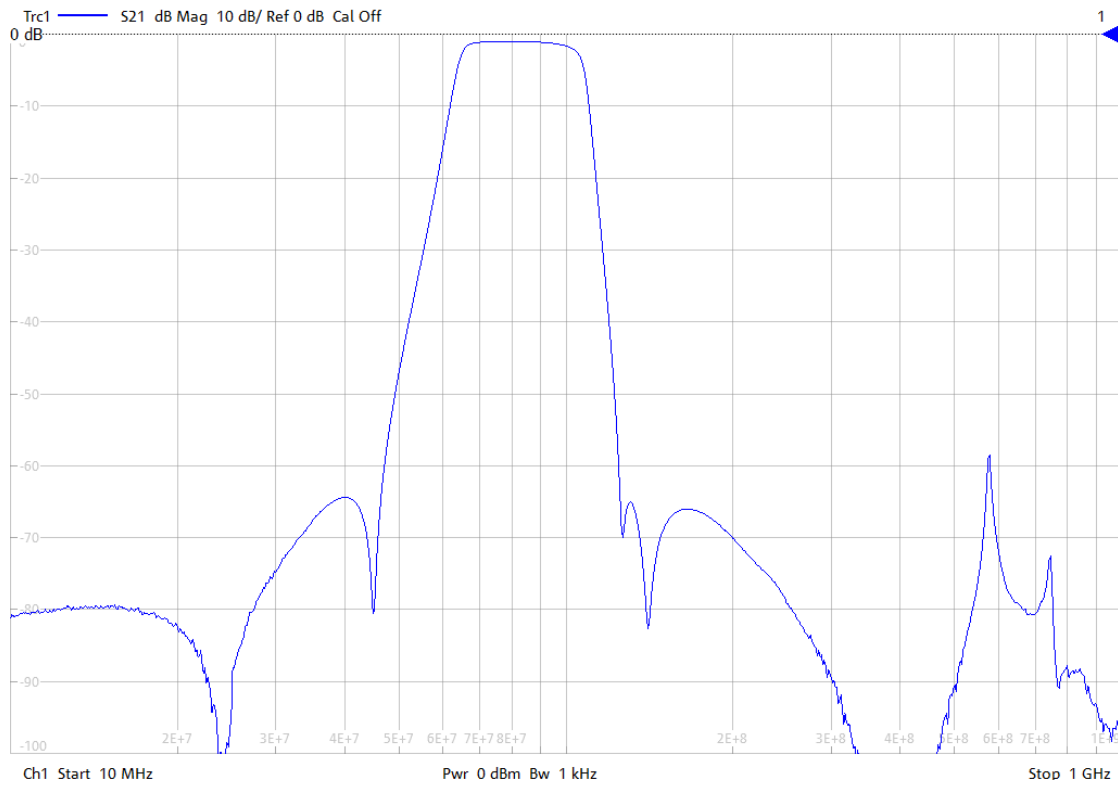
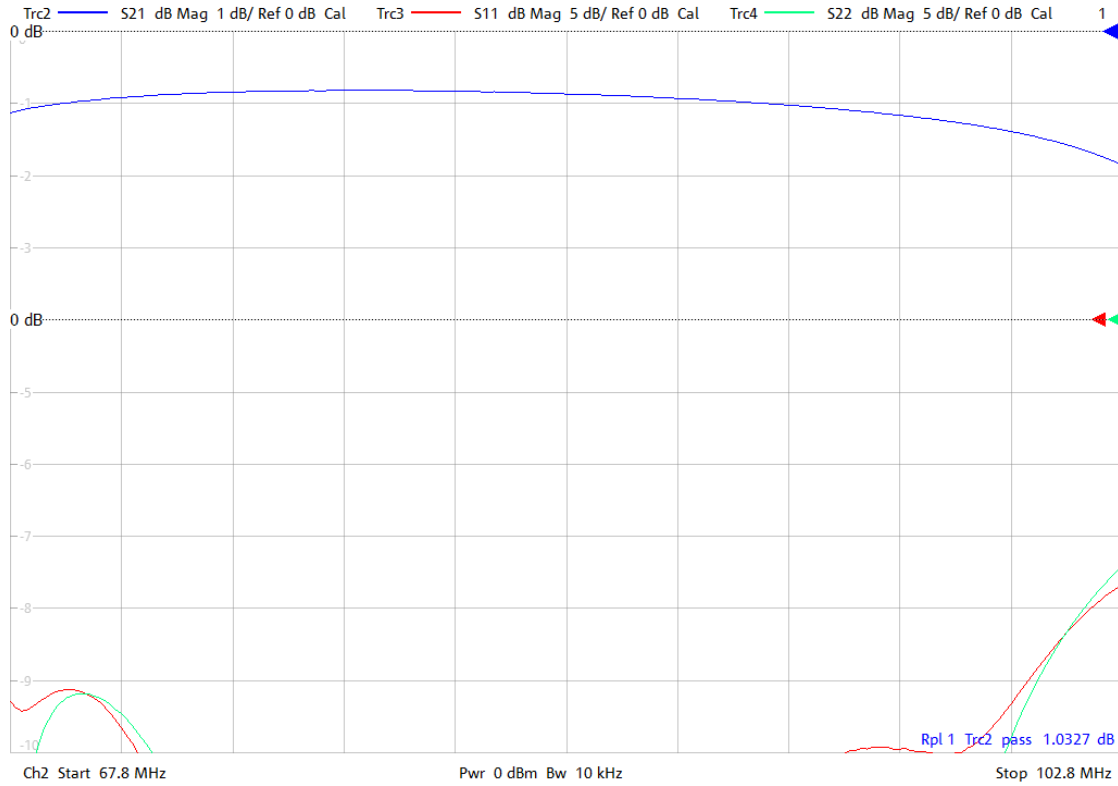
Typical Performance



KR Electronics, Inc.
91 Avenel Street
Avenel, NJ 07001

Web www.krfilters.com
Email sales@krfilters.com
Phone (732) 636-1900
Fax (732) 636-1982

KR Electronics 3357-85



KR Electronics, Inc.
91 Avenel Street
Avenel, NJ 07001

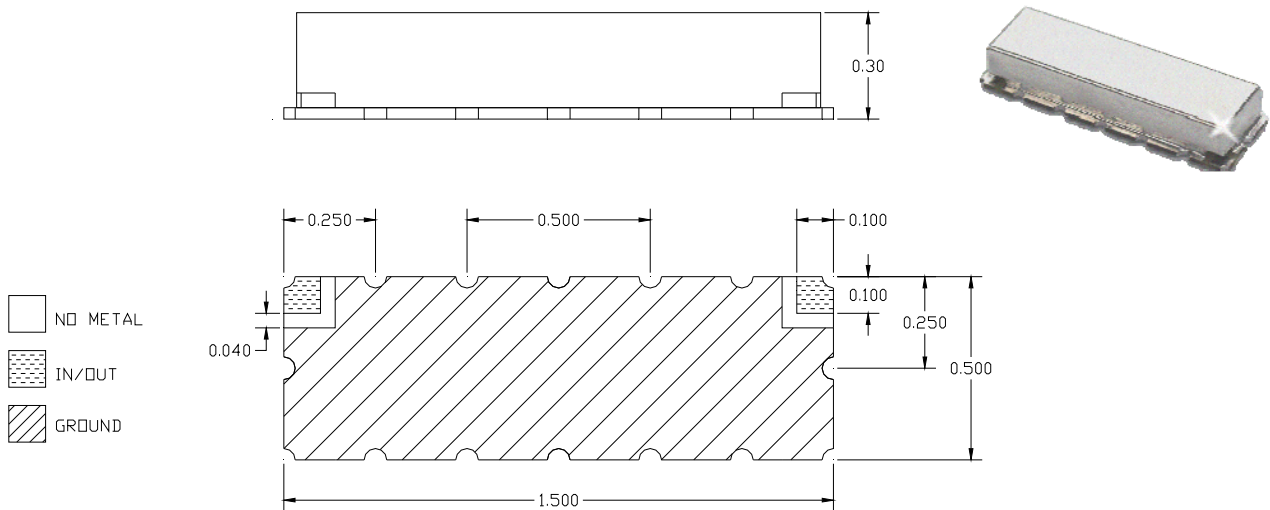
Web www.krfilters.com
Email sales@krfilters.com
Phone (732) 636-1900
Fax (732) 636-1982

KR Electronics 3357-85

Specifications

| Parameter | Specification | Notes |
|----------------------|----------------|------------------|
| Filter type | Bandpass | |
| Center Frequency | 85.3 MHz | |
| Insertion Loss at Fc | 2 dBa max | 1 dBa typical |
| 1 dBc Bandwidth | 36 MHz typical | |
| 3 dBc Bandwidth | 35 MHz min | 42.9 MHz typical |
| 50 dBc Bandwidth | 100 MHz max | 74 MHz typical |
| 60 dBc Bandwidth | 78 MHz typical | |
| Source and Load | 50 Ω | |

Physical Dimensions



Notes:

1. Surface mount package — Metal cover open frame
2. Dimensions in inches
3. Maximum reflow temperature is 230° C for 10 sec maximum.
4. If boards are cleaned after installation, units must be completely dried.
5. Also available in a case with SMA connectors