

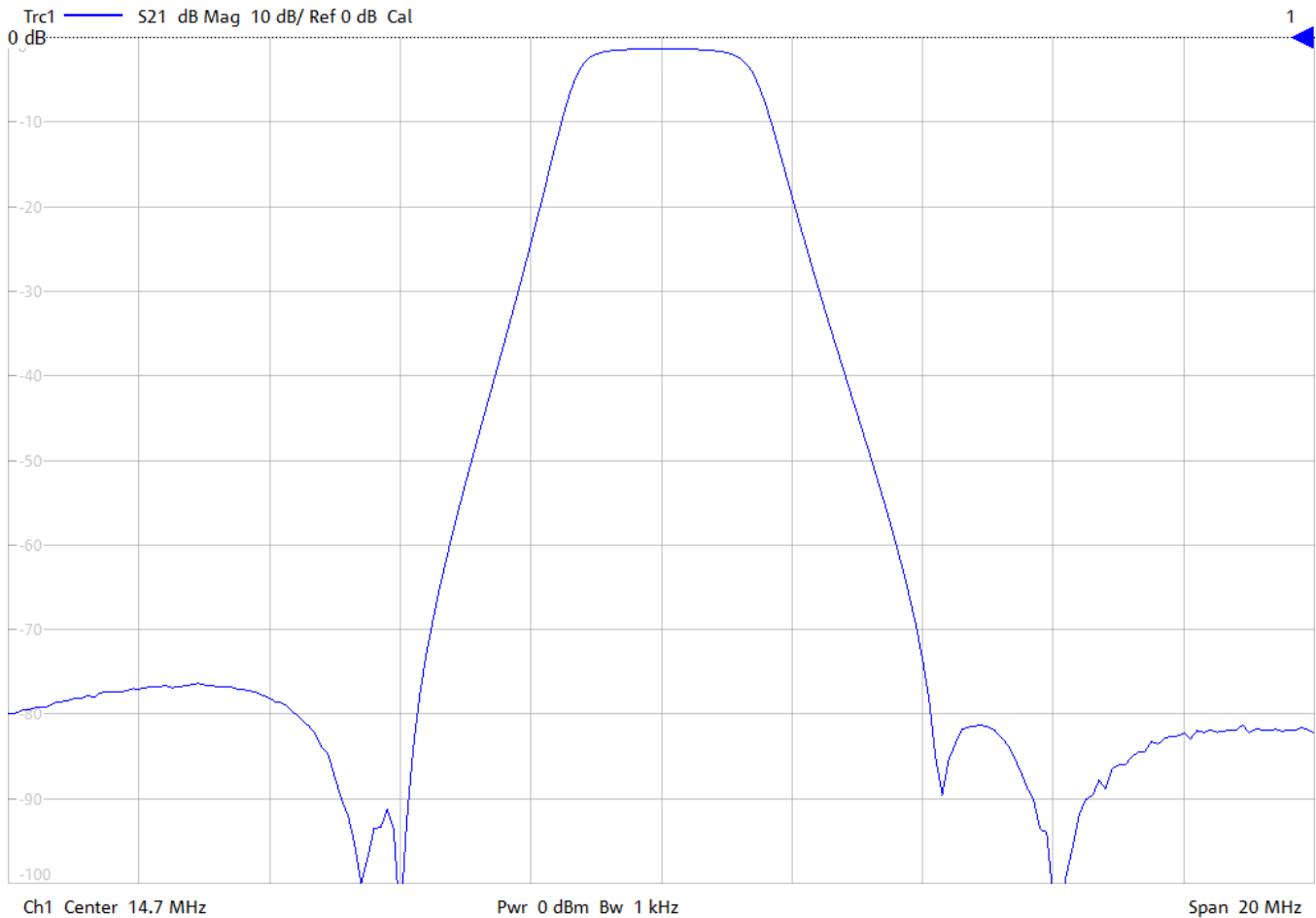
General Description

KR Electronics part number 3357-14.7 is a 14.7 MHz Bandpass filter. The filter has a 3 dB bandwidth of 2.7 MHz. Other center frequencies and bandwidths are available. Please consult the factory.

Features

- 14.7 MHz Bandpass Filter
- 3 dB BW 2.7 MHz typical
- 60 dB BW 8 MHz max
- Selective Elliptic Response
- 50 Ω Source and Load
- Other frequencies available
- Surface Mount
- SMA also available

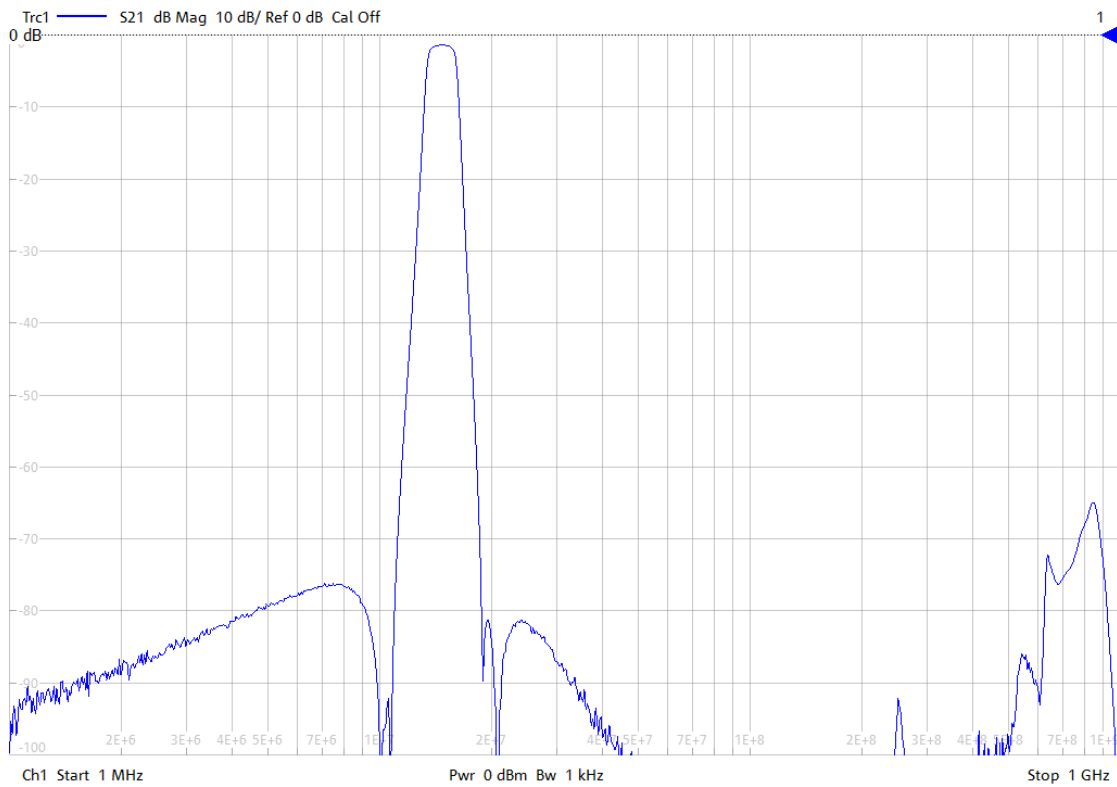
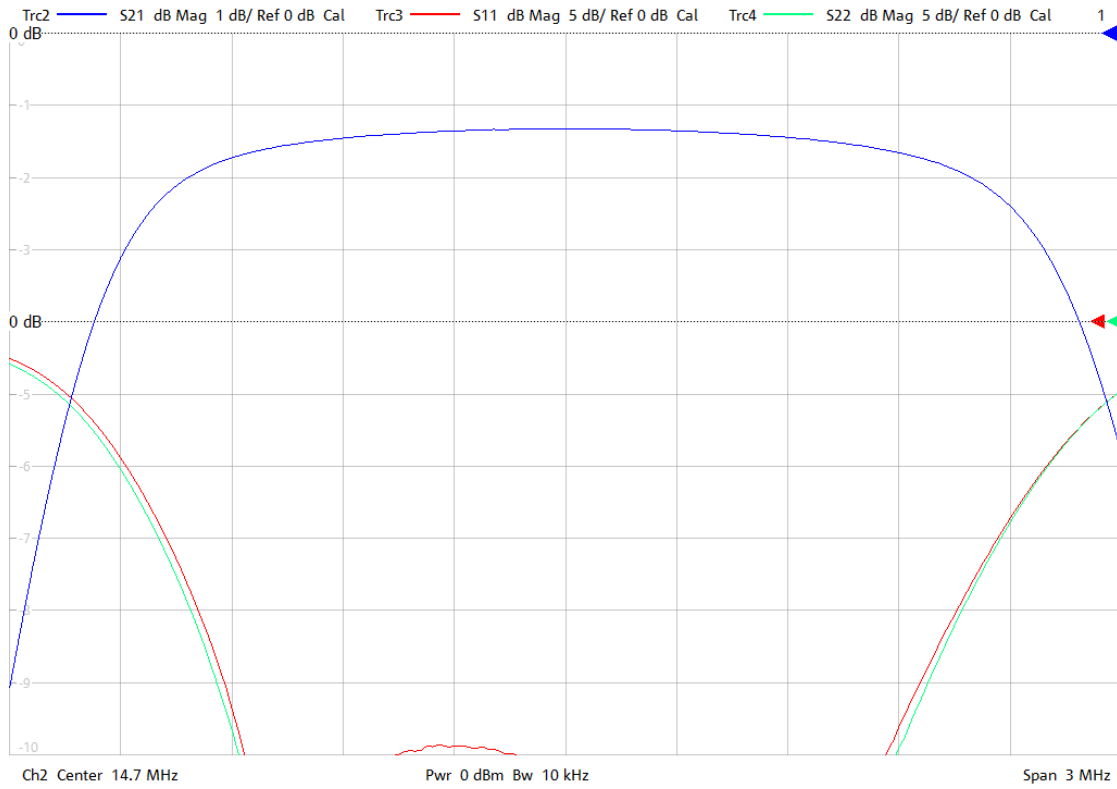
Typical Performance



KR Electronics, Inc.
91 Avenel Street
Avenel, NJ 07001

Web www.krfilters.com
Email sales@krfilters.com
Phone (732) 636-1900
Fax (732) 636-1982

KR Electronics 3357-14.7



KR Electronics, Inc.
91 Avenel Street
Avenel, NJ 07001

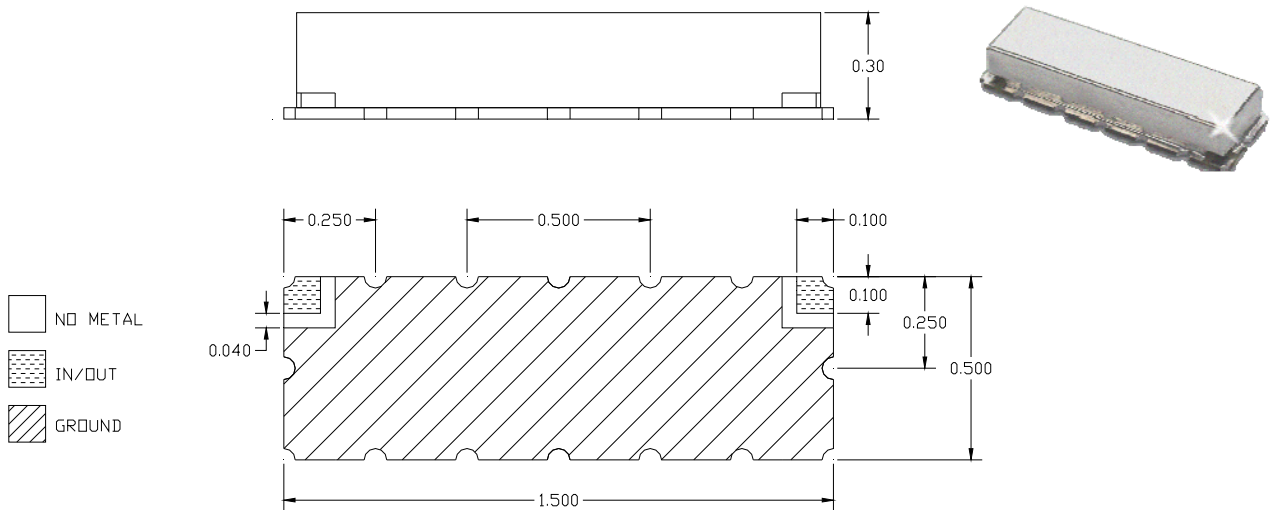
Web www.krfilters.com
Email sales@krfilters.com
Phone (732) 636-1900
Fax (732) 636-1982

KR Electronics 3357-14.7

Specifications

Parameter	Specification	Notes
Filter type	Bandpass	
Center Frequency	14.7 MHz	
Insertion Loss at Fc	3.5 dBa max	1.4 dBa typical
1 dBc Bandwidth	2.27 MHz typical	
3 dBc Bandwidth	2.7 MHz typical	
60 dBc Bandwidth	8 MHz max	7 MHz typical
Source and Load	50 Ω	

Physical Dimensions



Notes:

1. Surface mount package — Metal cover open frame
2. Dimensions in inches
3. Maximum reflow temperature is 230° C for 10 sec maximum.
4. If boards are cleaned after installation, units must be completely dried.
5. Also available in a case with SMA connectors