

General Description

KR Electronics part number 3356-SMA is a 1000 MHz Bandpass filter. The filter has a minimum 1 dB bandwidth of 500 MHz. Other center frequencies and bandwidths are available. Please consult the factory.

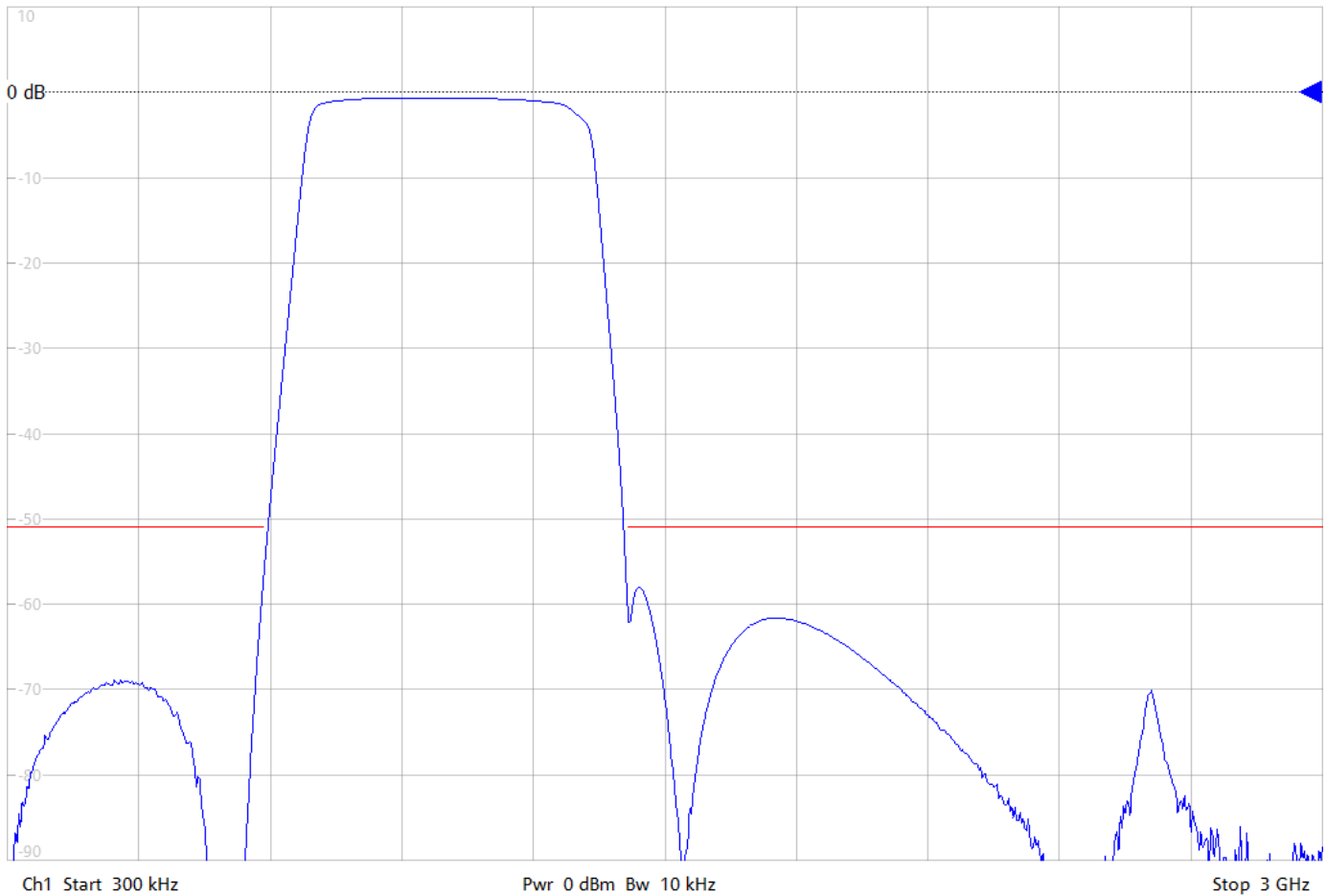
Features

- 1000 MHz Bandpass Filter
- 1 dB BW 500 MHz min
- 50 dB BW 832 MHz max
- Selective Elliptic Response
- 50 Ω Source and Load
- Other frequencies available
- SMA Connectors

Typical Performance

Trc1 — S21 dB Mag 10 dB/ Ref 0 dB Cal

1



KR Electronics, Inc.
91 Avenel Street
Avenel, NJ 07001

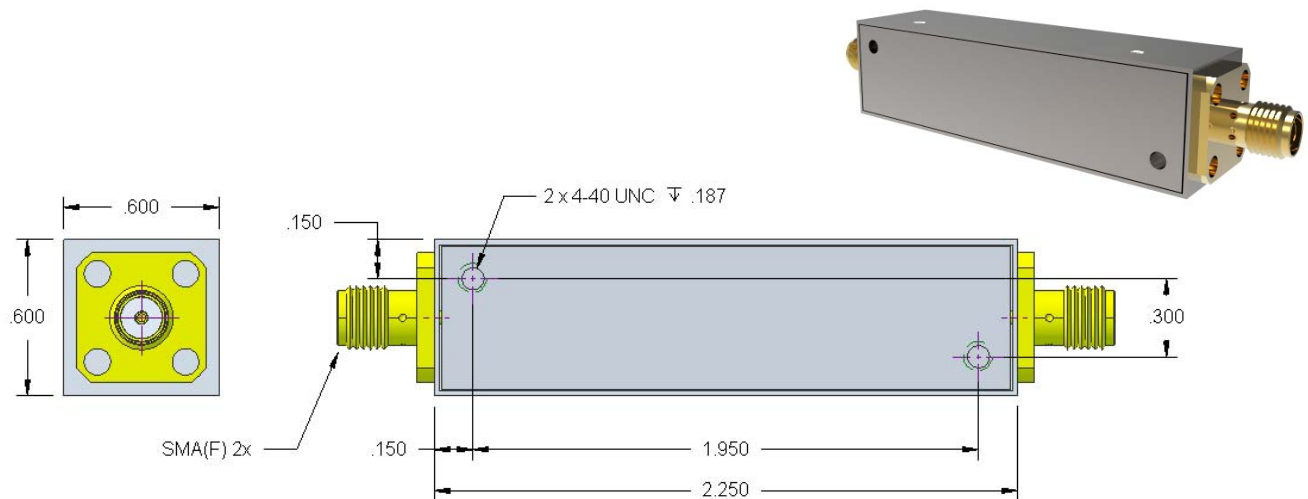
Web www.krfilters.com
Email sales@krfilters.com
Phone (732) 636-1900
Fax (732) 636-1982

KR Electronics 3356-SMA

Specifications

Parameter	Specification	Notes
Filter type	Bandpass	
Center Frequency	1000 MHz	
Insertion Loss at Fc	2.5 dBa max	0.75 dBa typical
1 dBc Bandwidth	500 MHz min	750-1250 MHz
3 dBc Bandwidth	635 MHz typical	
50 dBc Bandwidth	832 MHz max	DC-584 MHz & 1416-6000 MHz
Source and Load	50 Ω	

Physical Dimensions



Notes:

1. Dimensions in inches
2. Metal Case
3. SMA(F) Connectors