

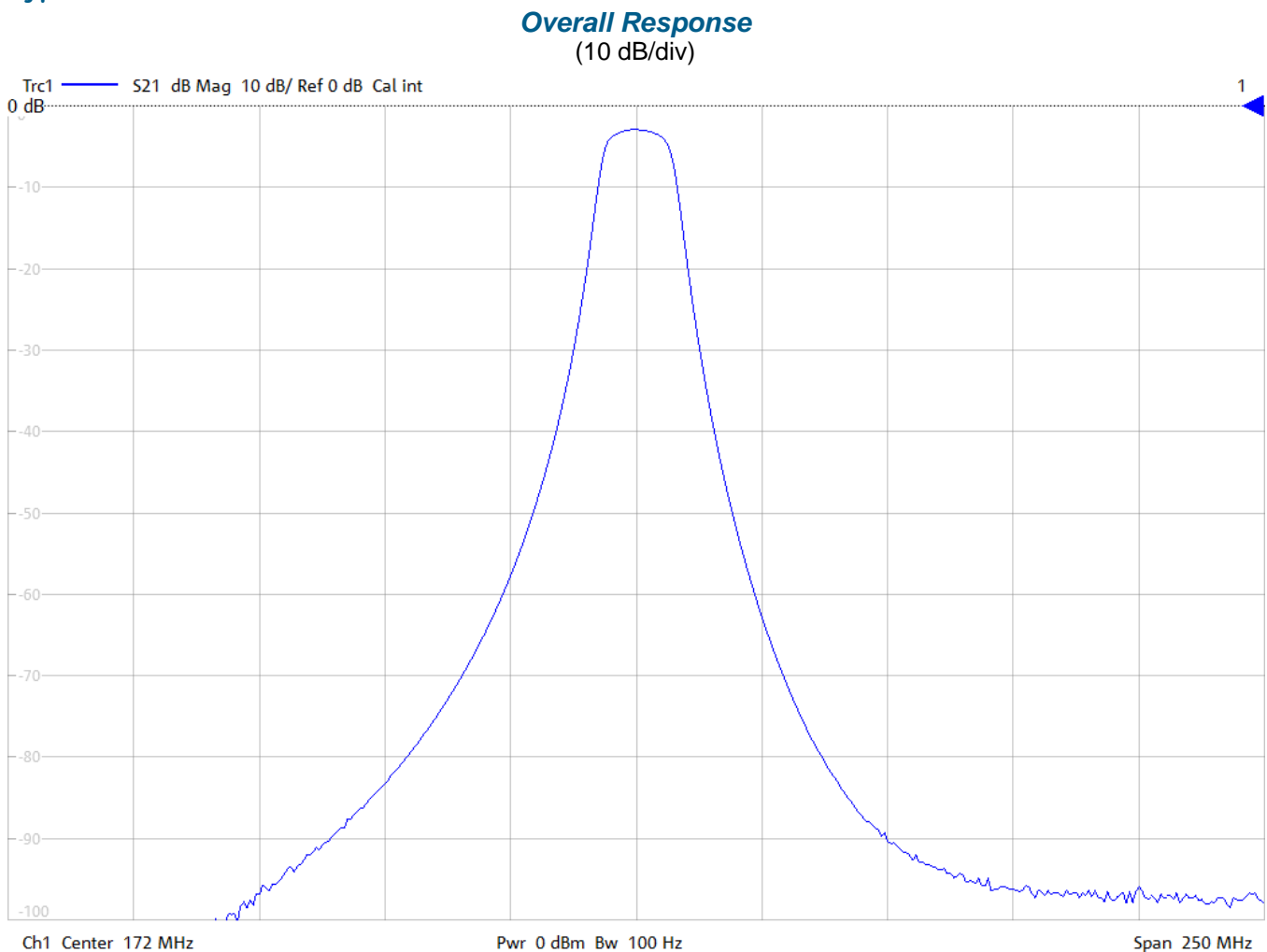
## General Description

KR Electronics part number 3348-SMA is a 172 MHz bandpass filter. The filter has a min 3 dB bandwidth of 10 MHz. Other center frequencies are available. Please consult the factory.

### Features

- 172 MHz Bandpass Filter
- 10 MHz minimum 3 dB Bandwidth
- High Stopband Loss
- 50  $\Omega$  Source and Load
- SMA Connectors

## Typical Performance



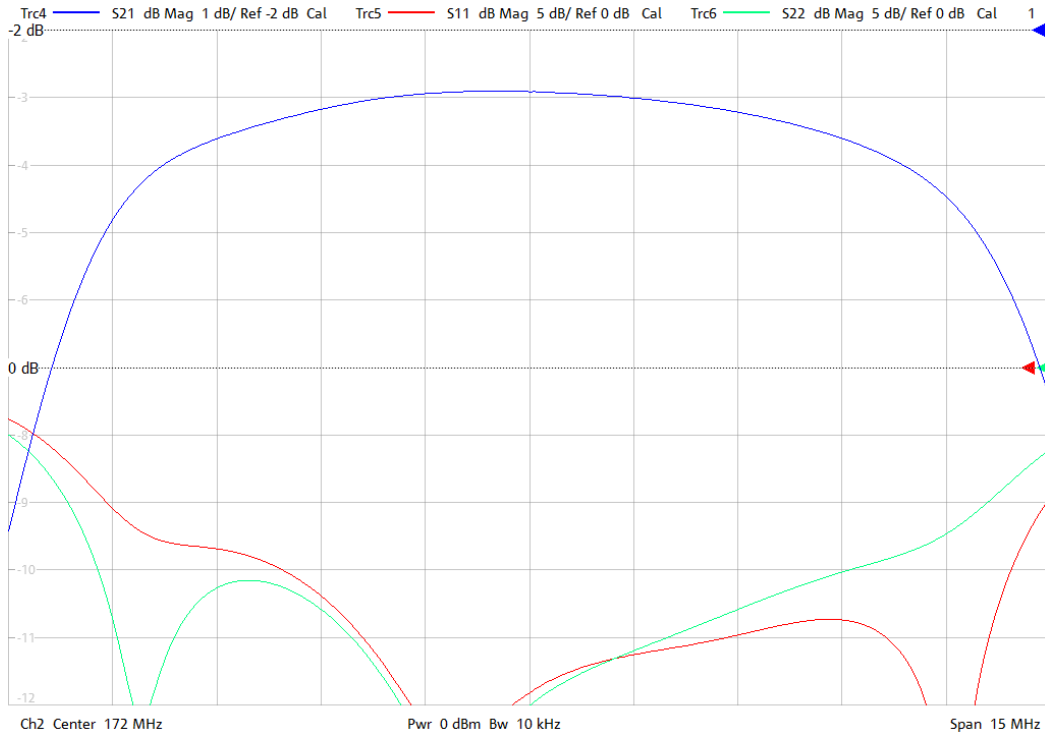
KR Electronics, Inc.  
91 Avenel Street  
Avenel, NJ 07001

Web [www.krfilters.com](http://www.krfilters.com)  
Email [sales@krfilters.com](mailto:sales@krfilters.com)  
Phone (732) 636-1900  
Fax (732) 636-1982

# KR Electronics 3348-SMA

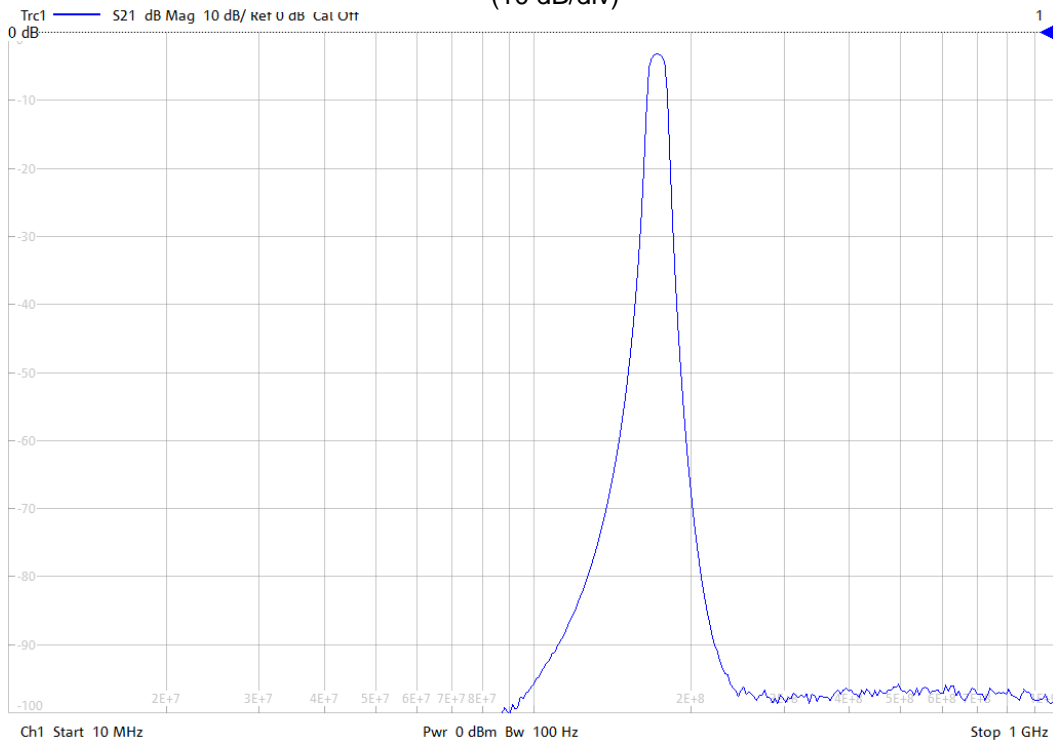
## Passband Amplitude & Return Loss

(1 dB/div & 5 dB/div)



## Overall Response

(10 dB/div)



KR Electronics, Inc.  
91 Avenel Street  
Avenel, NJ 07001

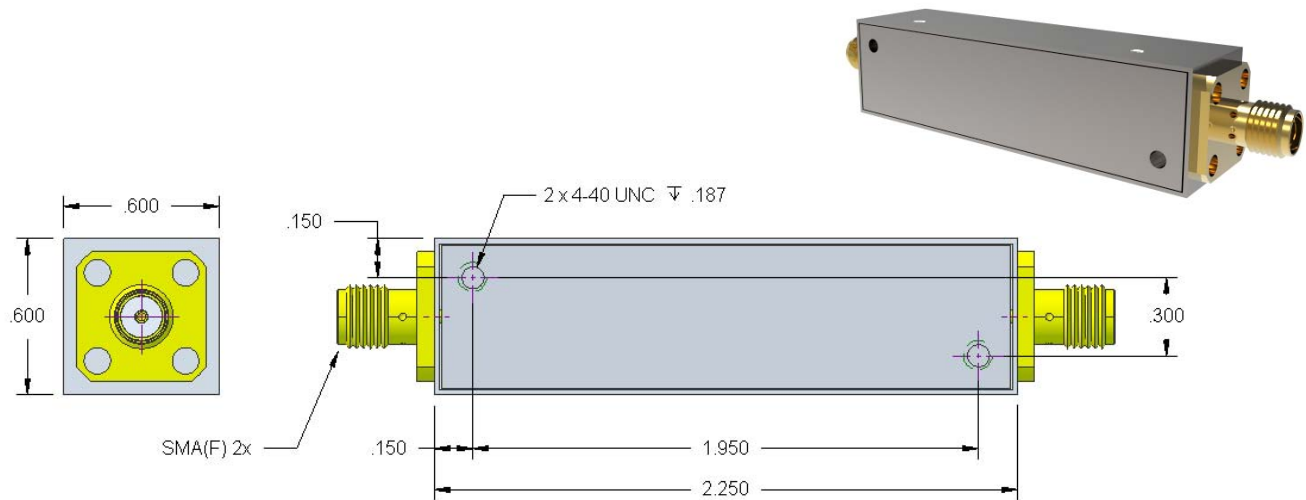
Web [www.krfilters.com](http://www.krfilters.com)  
Email [sales@krfilters.com](mailto:sales@krfilters.com)  
Phone (732) 636-1900

# KR Electronics 3348-SMA

## Specifications

Parameter	Specification	
Filter type	Bandpass	
Center Frequency (Fc)	172 MHz	
Insertion Loss at Fc	4.5 dBa max	3 dBa typical
1 dB Bandwidth	10 MHz typical	
3 dB Bandwidth	10 MHz min	13.4 MHz typical
20 dB Bandwidth	21.5 MHz typical	
40 dB Bandwidth	33.7 MHz typical	
60 dB Bandwidth	54.0 MHz typical	
Source and Load	50 Ω	

## Physical Dimensions



**Notes:**

1. Dimensions in inches
2. Metal Case
3. SMA(F) Connectors

KR Electronics, Inc.  
91 Avenel Street  
Avenel, NJ 07001

Web [www.krfilters.com](http://www.krfilters.com)  
Email [sales@krfilters.com](mailto:sales@krfilters.com)  
Phone (732) 636-1900  
Fax (732) 636-1982