

KR Electronics, Inc.

General Description

KR Electronics part number 3342-525-SMA is a 525 MHz band-pass filter. The filter has a min 3 dB bandwidth of 270 MHz. Other center frequencies are available. Please consult the factory.

Features

- 525 MHz Bandpass Filter
- 270 MHz minimum 3 dB Bandwidth
- Good Stopband Loss
- 50 Ω Source and Load
- SMA Connectors
- Also available in SMD package

Typical Performance

Overall Response
(10 dB/div)



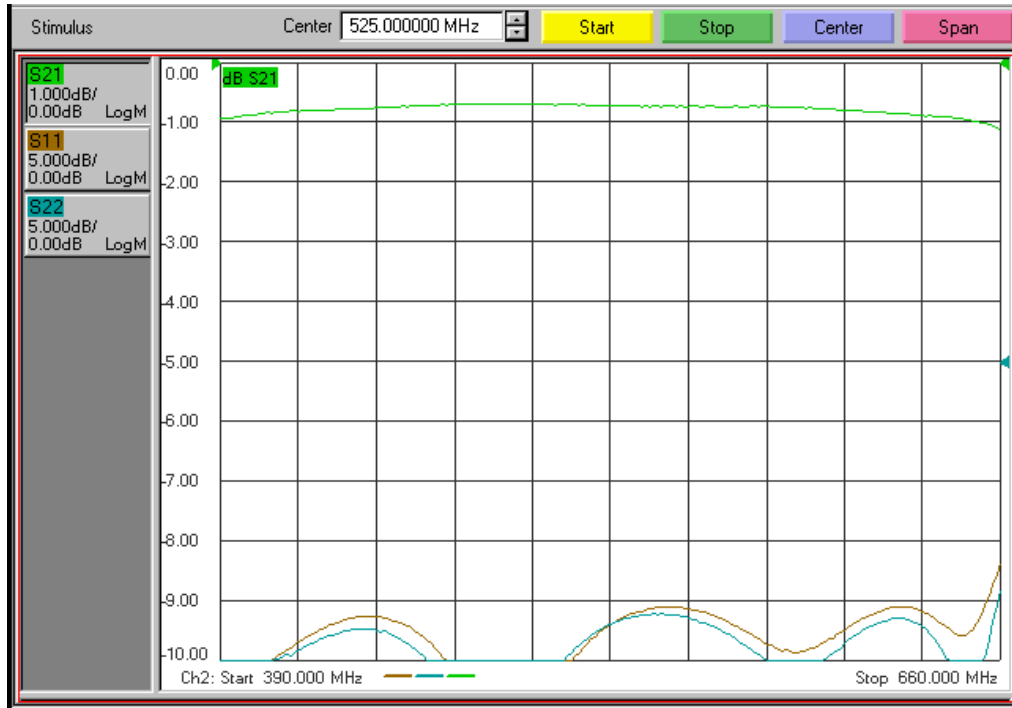
KR Electronics, Inc.
91 Avenel Street
Avenel, NJ 07001

Web www.krfilters.com
Email sales@krfilters.com
Phone (732) 636-1900
Fax (732) 636-1982

KR Electronics 3342-525-SMA

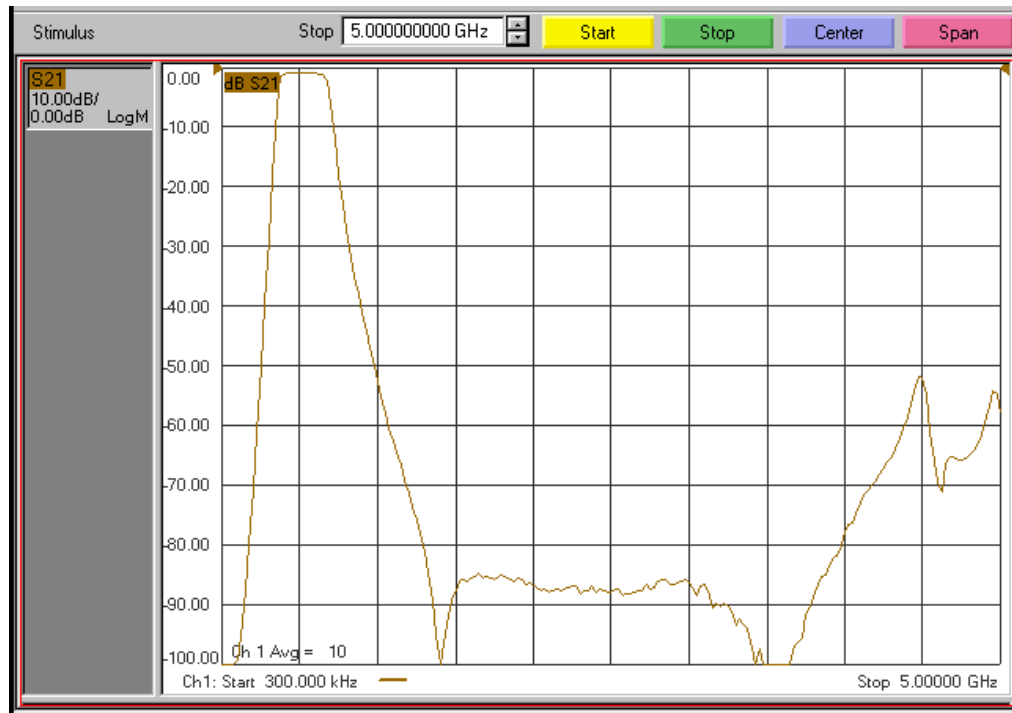
Passband Amplitude & Return Loss

(1 dB/div & 5 dB/div)



Overall Response

(10 dB/div)



KR Electronics, Inc.
91 Avenel Street
Avenel, NJ 07001

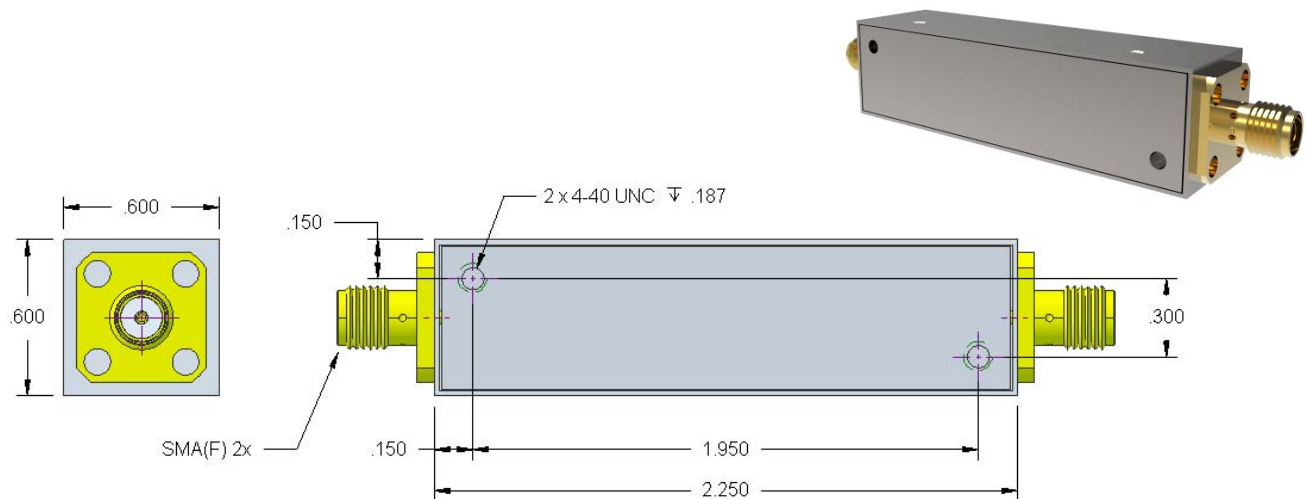
Web www.krfilters.com
Email sales@krfilters.com
Phone (732) 636-1900

KR Electronics 3342-525-SMA

Specifications

Parameter	Specification	
Filter type	Bandpass	
Center Frequency (Fc)	525 MHz	
Insertion Loss at Fc	2 dBa max	0.8 dBa typical
1 dB Bandwidth	299 MHz typical	
3 dB Bandwidth	270 MHz min	328 MHz typical
40 dB Bandwidth	625 MHz typical	
50 dB Bandwidth	736 MHz typical	
60 dB Bandwidth	860 MHz typical	
Source and Load	50 Ω	

Physical Dimensions



Notes:

1. Dimensions in inches
2. Metal Case
3. SMA(F) Connectors
4. Also available in a surface mount package

KR Electronics, Inc.
91 Avenel Street
Avenel, NJ 07001

Web www.krfilters.com
Email sales@krfilters.com
Phone (732) 636-1900
Fax (732) 636-1982