

## General Description

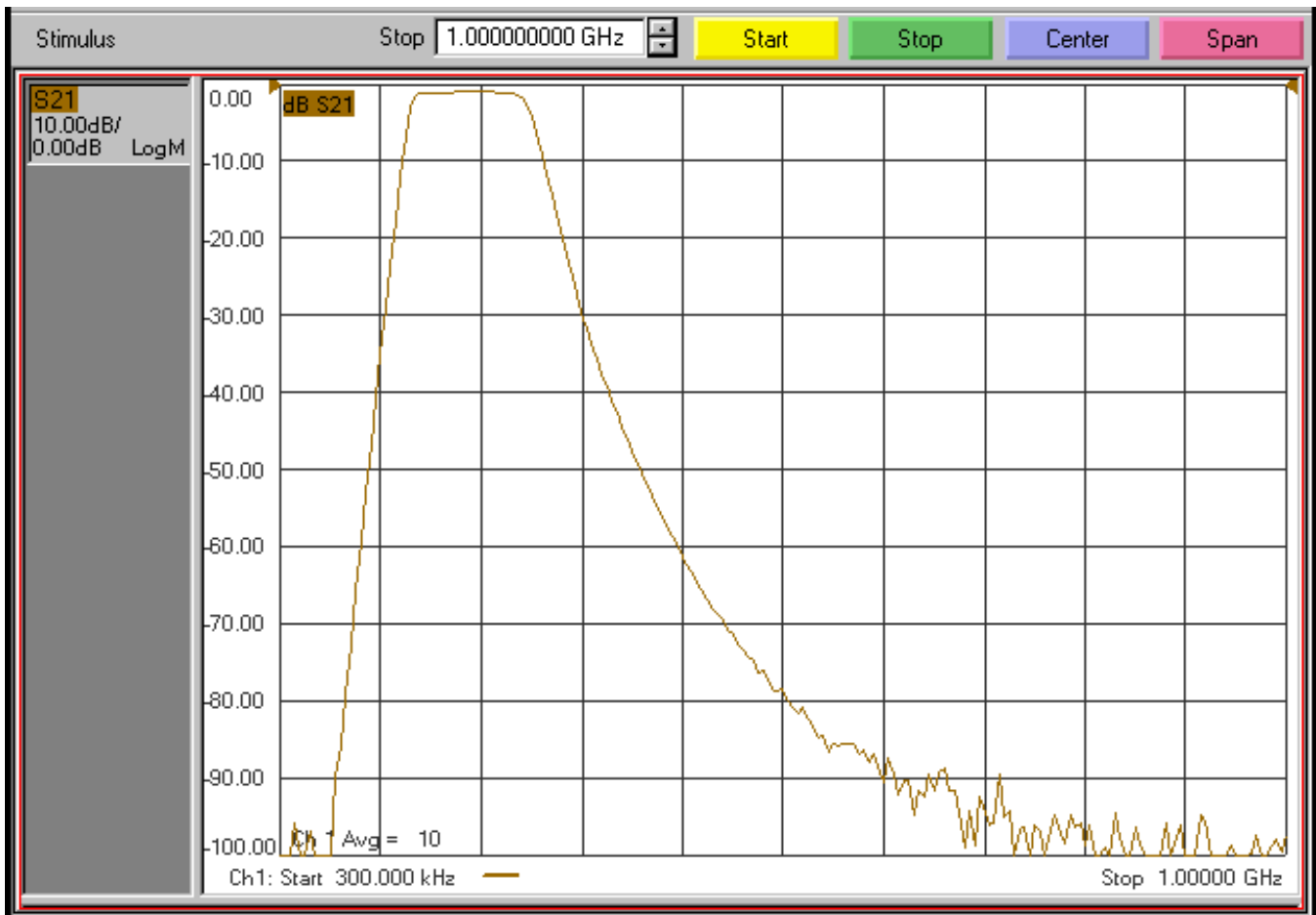
KR Electronics part number 3342-187.5-SMA is a 187.5 MHz bandpass filter. The filter has a min 3 dB bandwidth of 95 MHz. Other center frequencies are available. Please consult the factory.

### Features

- 187.5 MHz Bandpass Filter
- 95 MHz minimum 3 dB Bandwidth
- Good Stopband Loss
- 50  $\Omega$  Source and Load
- SMA Connectors
- Also available in SMD package

## Typical Performance

**Overall Response**  
(10 dB/div)



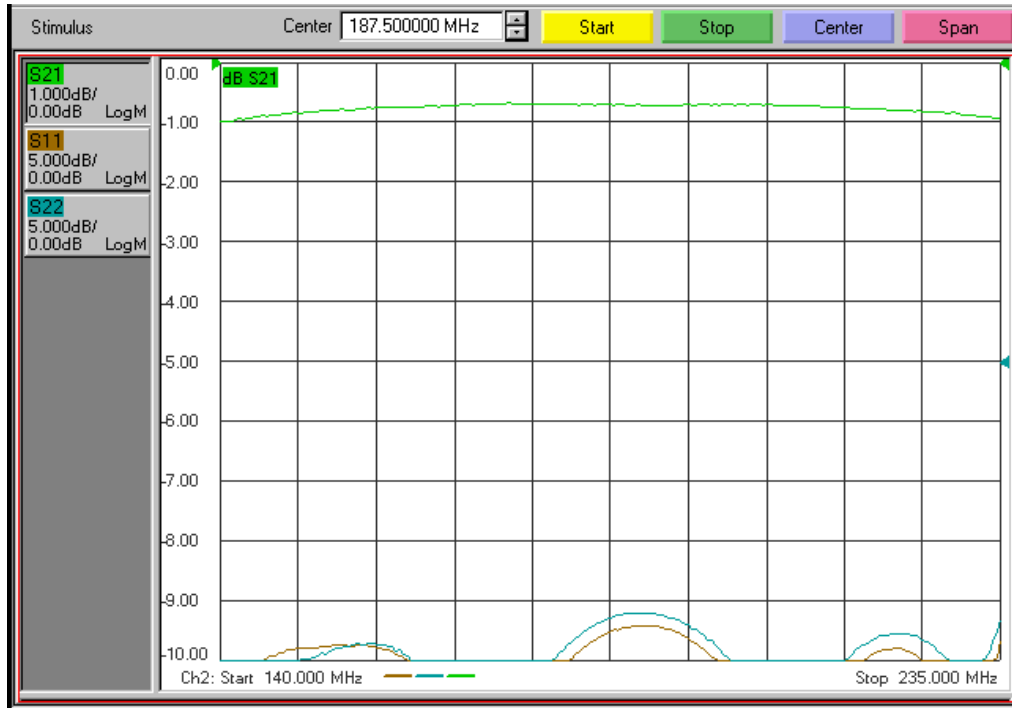
KR Electronics, Inc.  
91 Avenel Street  
Avenel, NJ 07001

Web [www.krfilters.com](http://www.krfilters.com)  
Email [sales@krfilters.com](mailto:sales@krfilters.com)  
Phone (732) 636-1900  
Fax (732) 636-1982

# KR Electronics 3342-187.5-SMA

## Passband Amplitude & Return Loss

(1 dB/div & 5 dB/div)



## Overall Response

(10 dB/div)

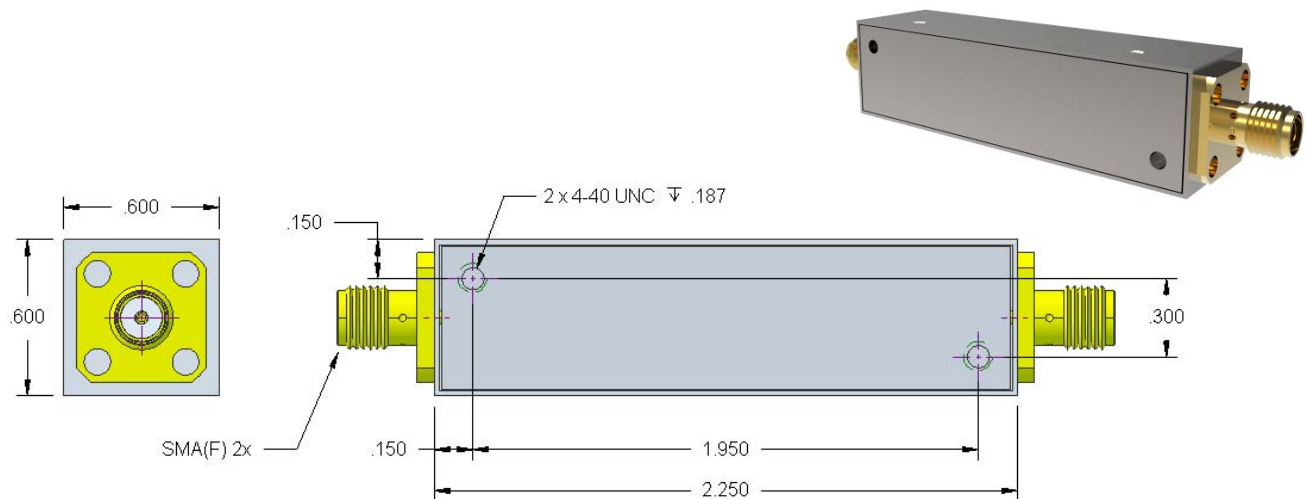


# KR Electronics 3342-187.5-SMA

## Specifications

Parameter	Specification	
Filter type	Bandpass	
Center Frequency (Fc)	187.5 MHz	
Insertion Loss at Fc	2 dBa max	0.7 dBa typical
1 dB Bandwidth	108 MHz typical	
3 dB Bandwidth	95 MHz min	121 MHz typical
40 dB Bandwidth	234 MHz typical	
50 dB Bandwidth	273 MHz typical	
60 dB Bandwidth	320 MHz typical	
Source and Load	50 Ω	

## Physical Dimensions



**Notes:**

1. Dimensions in inches
2. Metal Case
3. SMA(F) Connectors
4. Also available in a surface mount package

KR Electronics, Inc.  
91 Avenel Street  
Avenel, NJ 07001

Web [www.krfilters.com](http://www.krfilters.com)  
Email [sales@krfilters.com](mailto:sales@krfilters.com)  
Phone (732) 636-1900  
Fax (732) 636-1982