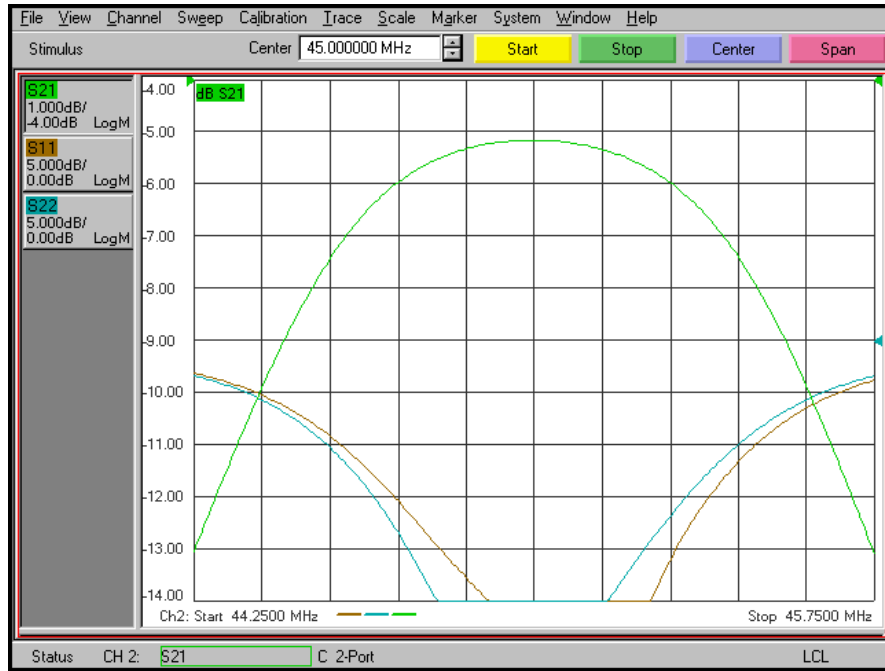


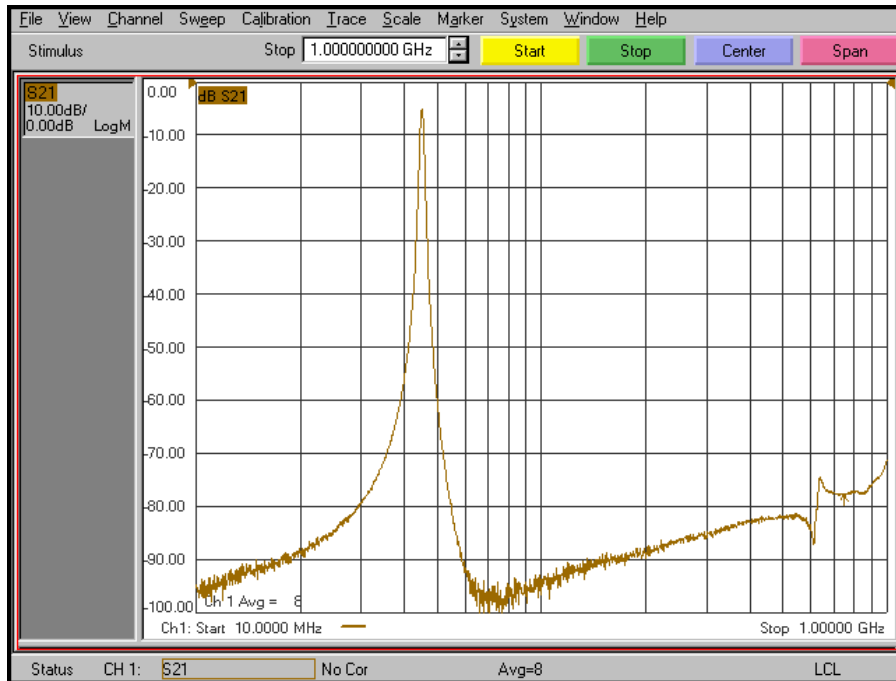


Typical Performance

Passband Amplitude & Return Loss  
(1 dB/div & 5 dB/div)



Overall Response  
(10 dB/div)

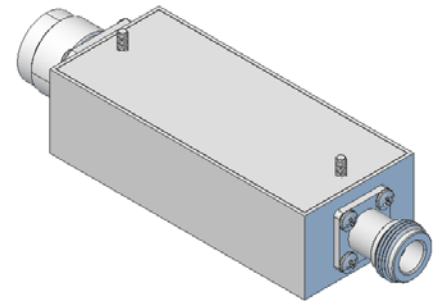
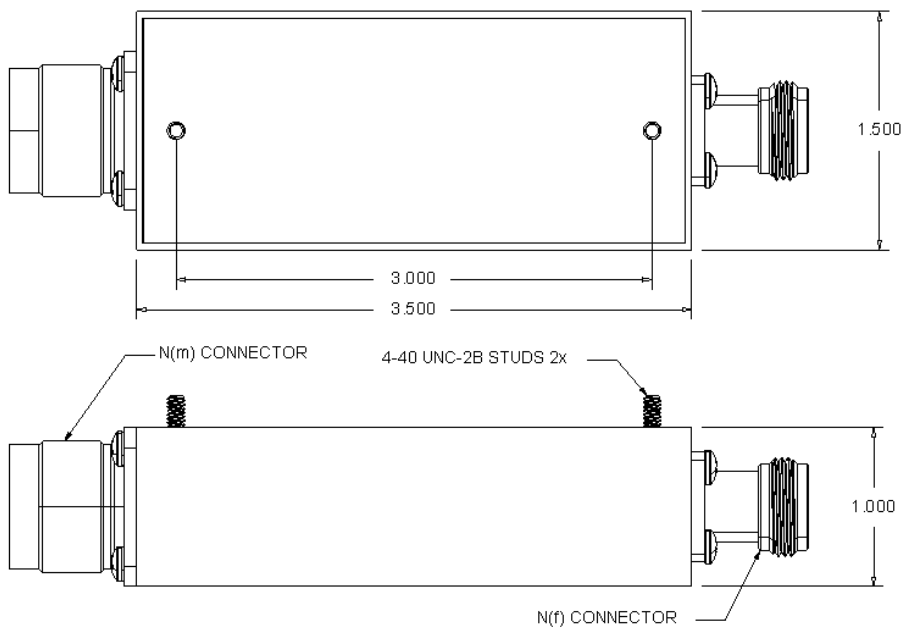


# KR Electronics 3341-N

## Specifications

Parameter	Specification	Notes
Filter type	Bandpass	
Center Frequency Fc	45 MHz	
Insertion Loss at Fc	6.5 dB max	6.2 dB typical
1 dB Bandwidth	650 KHz typical	
3 dB Bandwidth	1 MHz ±10%	
40 dB Bandwidth	16 MHz max	6 MHz typical
60 dB Bandwidth	13.1 MHz typical	
Source and Load	50 Ω	

## Physical Dimensions



**Notes:**

1. Metal Case
2. Dimensions in inches