

General Description

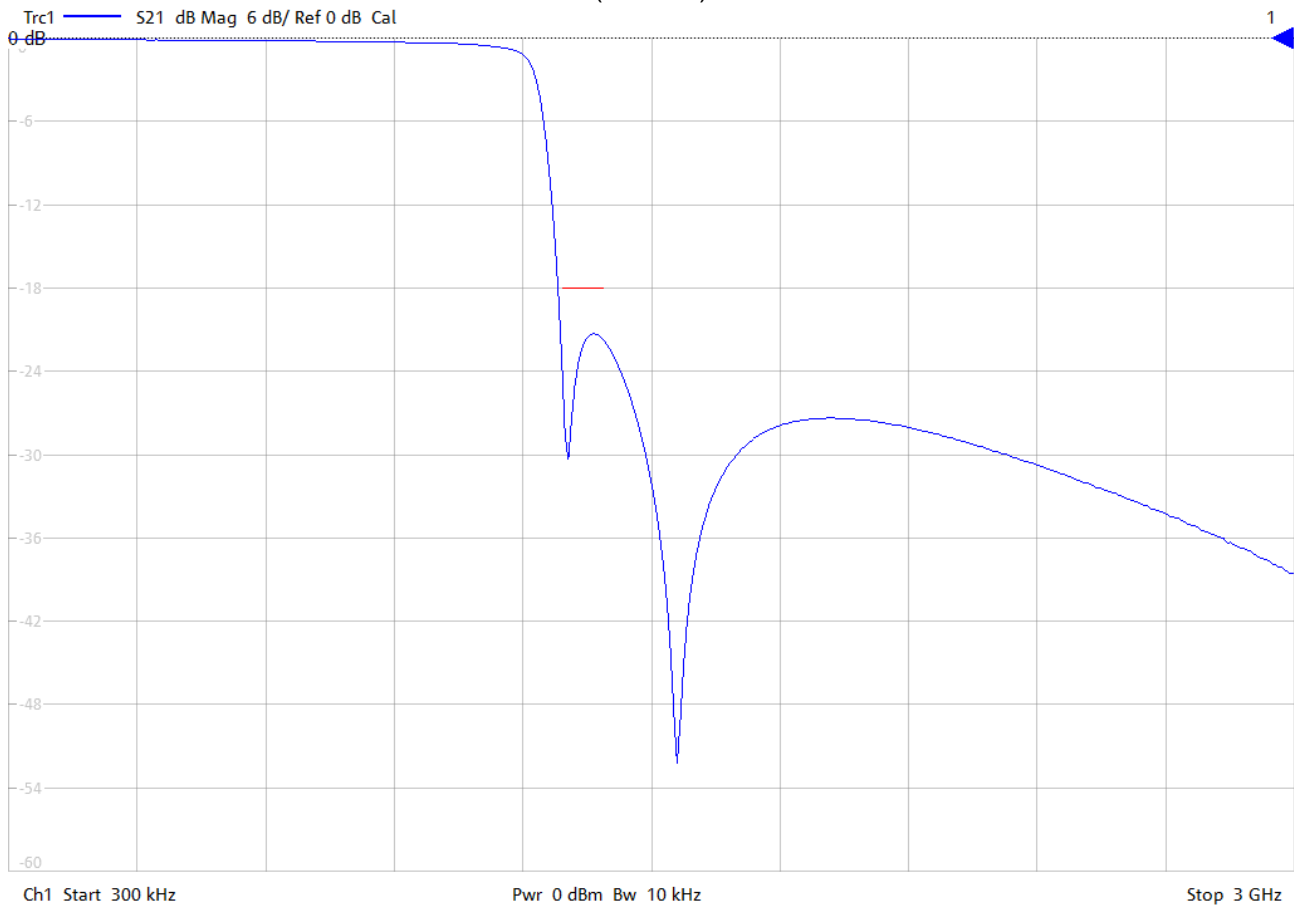
KR Electronics part number 3337+ is a 1208 MHz Lowpass filter. Other frequencies are available. Please consult the factory.

Features

- 1208 MHz Lowpass Filter
- Selective Elliptic Type Filter
- Typical Stopband to 10 GHz
- 50 Ω Source and Load
- Miniature surface mount package 0.20" x 0.30" x 0.181"

Typical Performance

Overall Response (6 dB/div)



KR Electronics 3337+

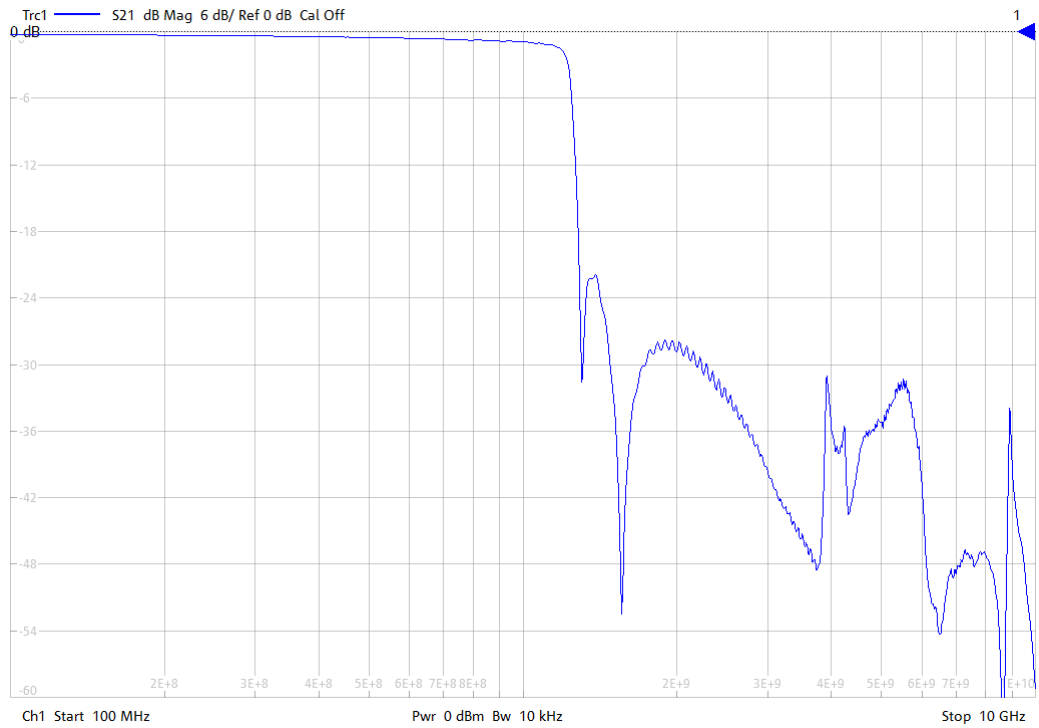
Passband Amplitude & Return Loss

(1 dB/div & 5 dB/div)



Overall Response

(6 dB/div)



KR Electronics, Inc.
91 Avenel Street
Avenel, NJ 07001

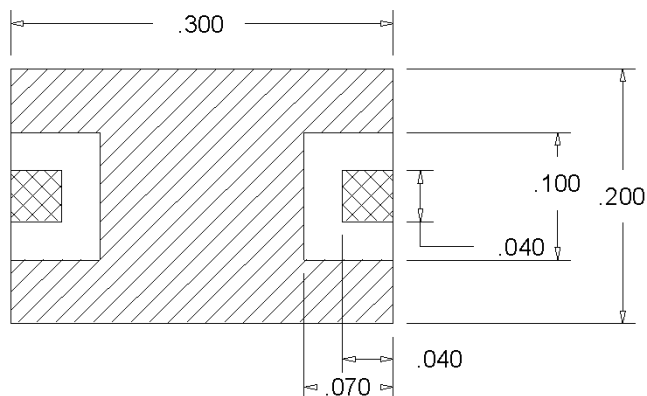
Web www.krfilters.com
Email sales@krfilters.com
Phone (732) 636-1900

KR Electronics 3337+

Specifications

Parameter	Specification	
Filter type	Lowpass	
Passband (≤ 2 dB)	dc to 1207.5 MHz	
Reject Band (≥ 18 dB)	1292 to 6000 MHz	10 GHz typical
Source and Load	50 Ω	

Physical Dimensions



Notes:

1. Surface mount package
2. Dimensions in inches
3. Tolerance unless noted ± 0.010 "
4. Max reflow temperature 230° C for 10 sec
5. If boards are cleaned after installation units must be completely dried