

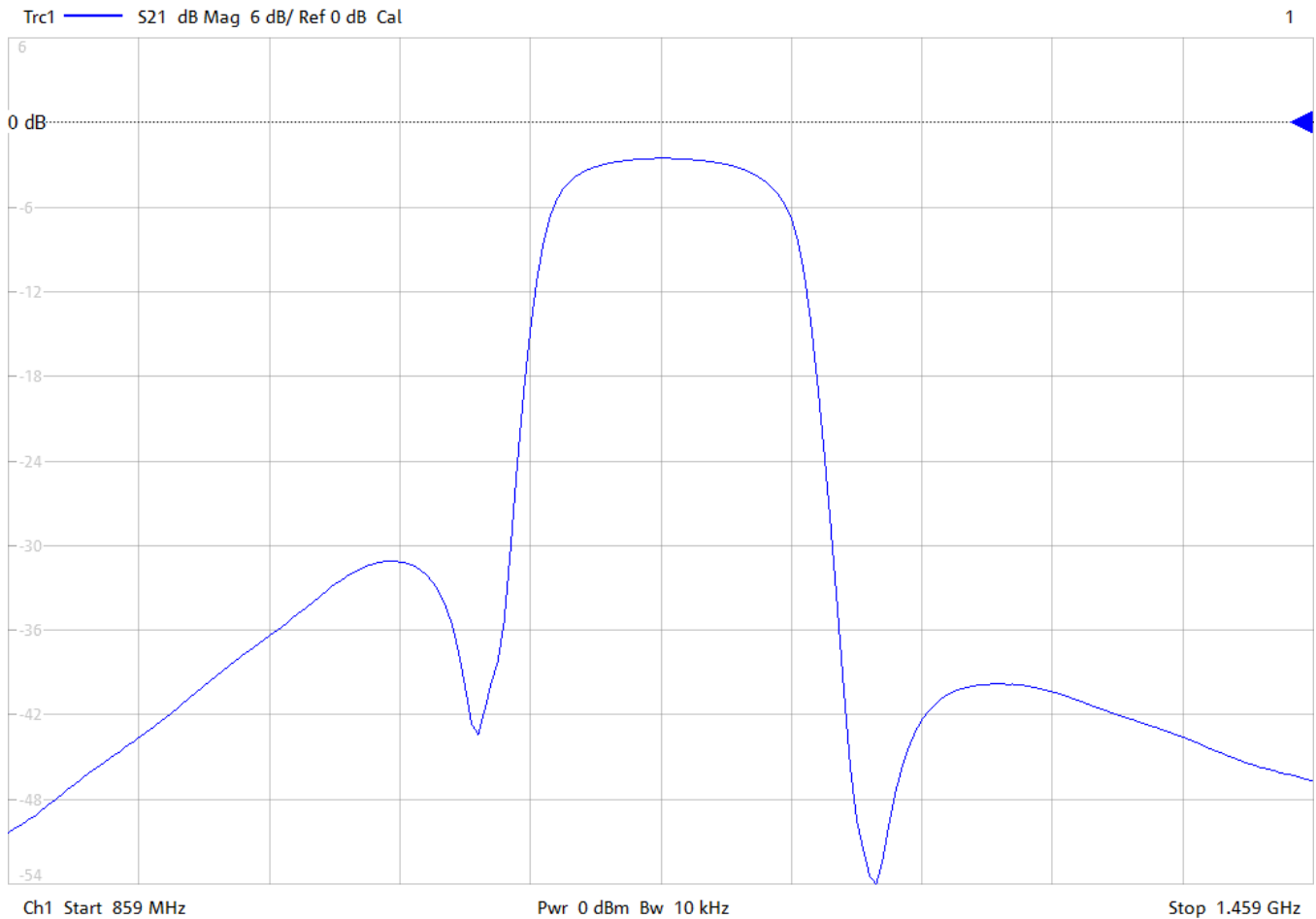
General Description

KR Electronics part number 3335-1159 is a 1159 MHz Bandpass filter. The filter has a typical 1 dB bandwidth of 77 MHz. Other center frequencies and bandwidths are available. Please consult the factory.

Features

- 1159 MHz Bandpass Filter
- 1 dB Bandwidth: 77 MHz typical
- 30 dB Bandwidth: 150 MHz typical
- Selective Elliptic type design
- 50 Ω Source and Load
- Other frequencies available
- Surface Mount

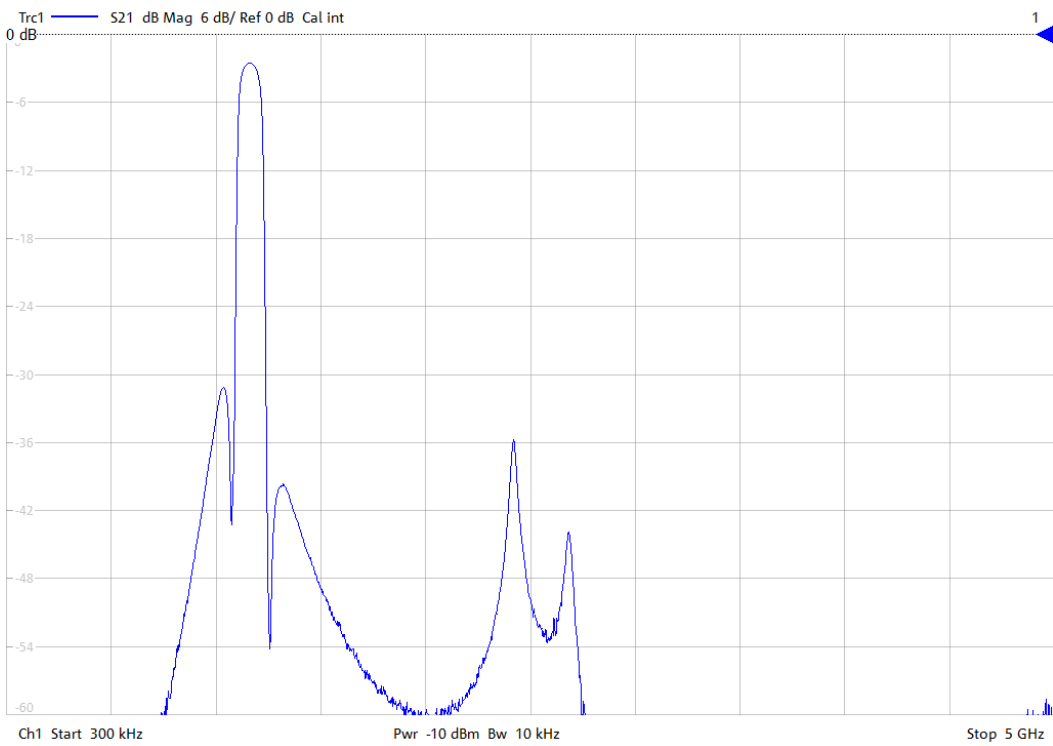
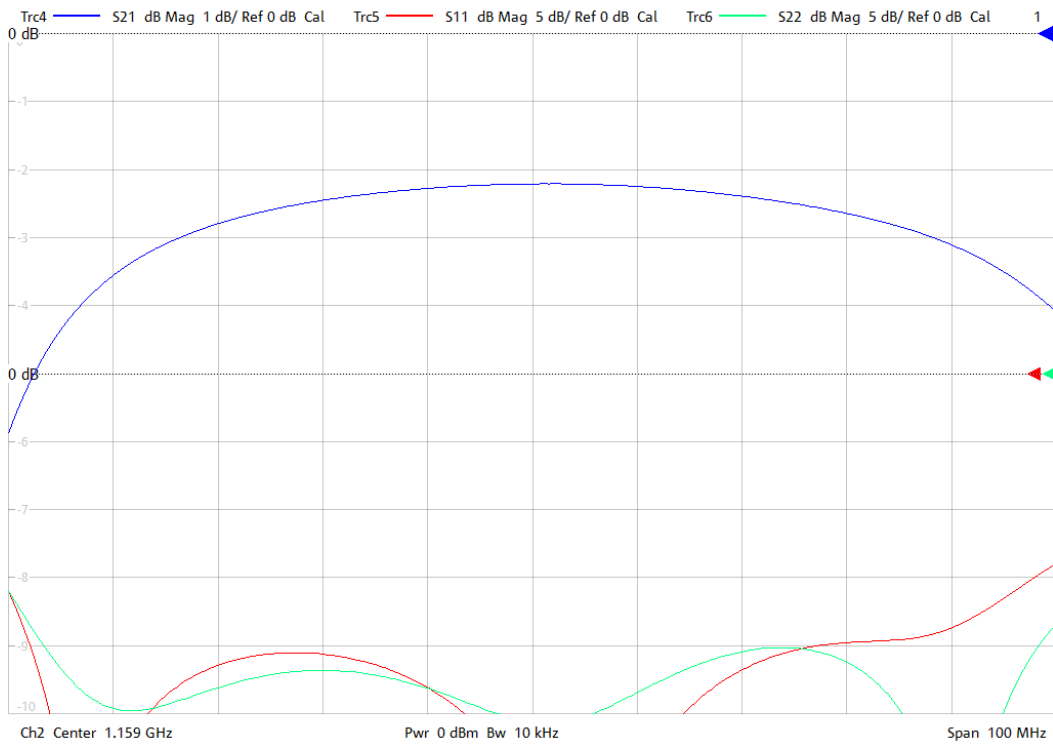
Typical Performance



KR Electronics, Inc.
91 Avenel Street
Avenel, NJ 07001

Web www.krfilters.com
Email sales@krfilters.com
Phone (732) 636-1900
Fax (732) 636-1982

KR Electronics 3335-1159



KR Electronics, Inc.
91 Avenel Street
Avenel, NJ 07001

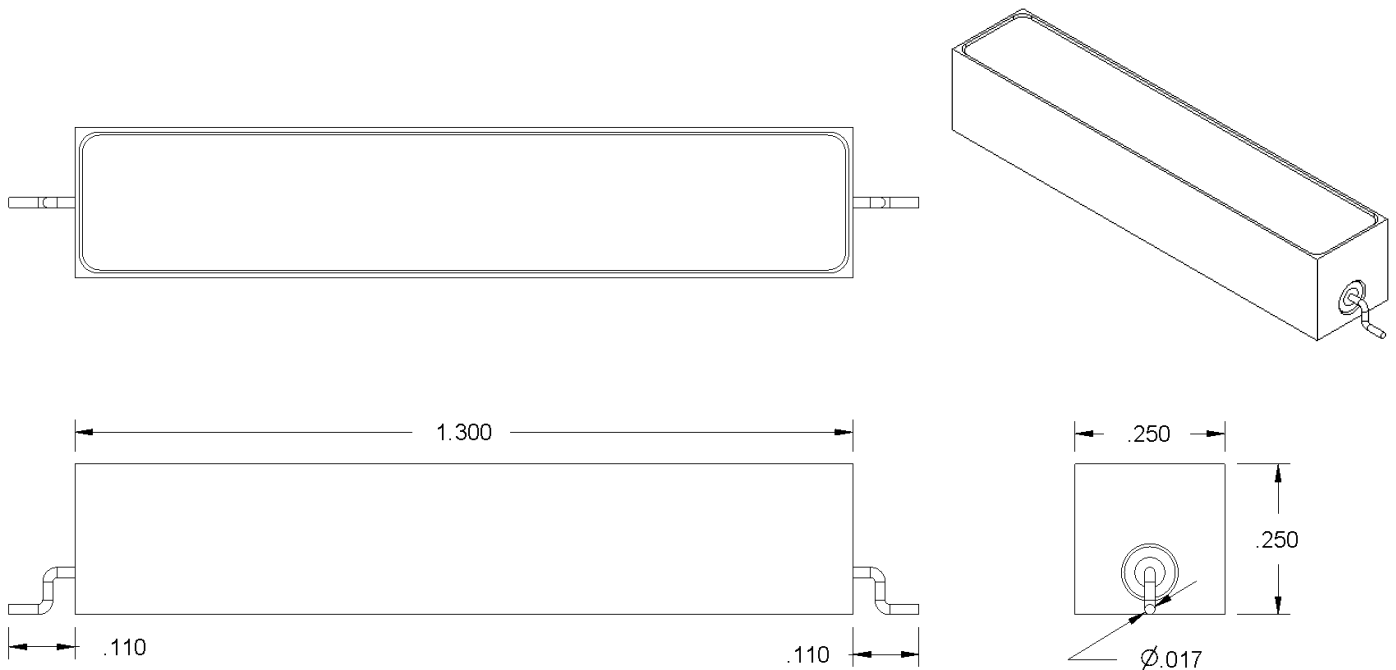
Web www.krfilters.com
Email sales@krfilters.com
Phone (732) 636-1900
Fax (732) 636-1982

KR Electronics 3335-1159

Specifications

Parameter	Specification	Notes
Filter type	Bandpass	
Center Frequency	1159 MHz	
Insertion Loss at Fc	4 dBa max	2.25 dBa typical
1 dBc Bandwidth	77 MHz typical	
30 dBc Bandwidth	150 MHz typical	
Source and Load	50 Ω	

Physical Dimensions



Notes:

1. Surface mount package
2. Dimensions in inches
3. Tolerance unless noted ± 0.010 "
4. Maximum reflow temperature is 214° C for 10 sec maximum.

KR Electronics, Inc.
91 Avenel Street
Avenel, NJ 07001

Web www.krfilters.com
Email sales@krfilters.com
Phone (732) 636-1900
Fax (732) 636-1982