

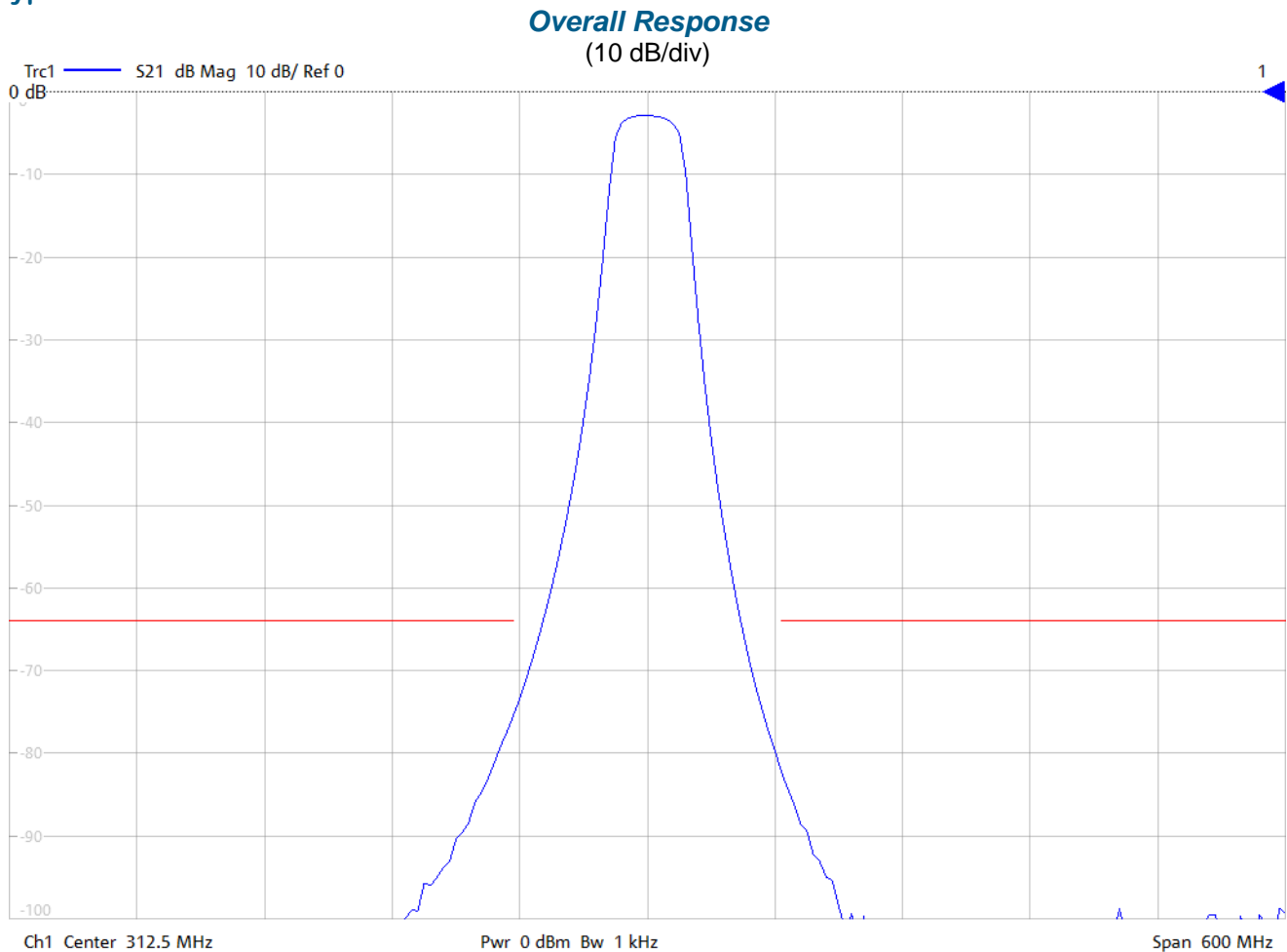
General Description

KR Electronics part number 3334-SMA is a 312.5 MHz band-pass filter. The filter has a 2 dB bandwidth of 25 MHz min. Other center frequencies and bandwidths are available. Please consult the factory.

Features

- 312.5 MHz Bandpass Filter
- 25 MHz min 2 dB Bandwidth
- 91 MHz typical 60 dB Bandwidth
- Good Stopband Rejection
- 50 Ω Source and Load
- SMA Connectors
- Also available in SMD package

Typical Performance

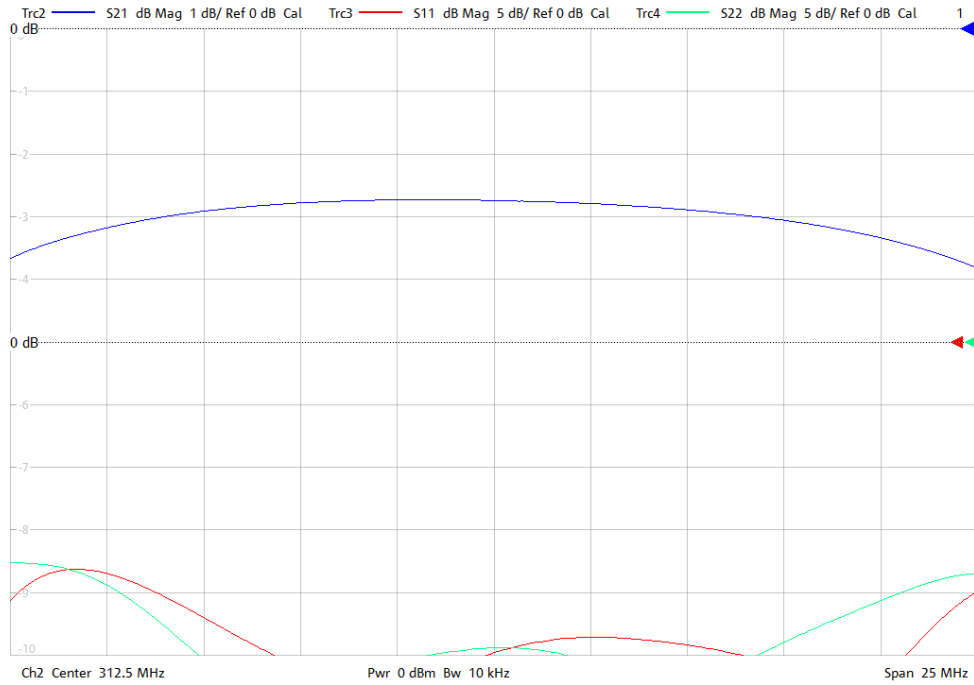


KR Electronics, Inc.
91 Avenel Street
Avenel, NJ 07001

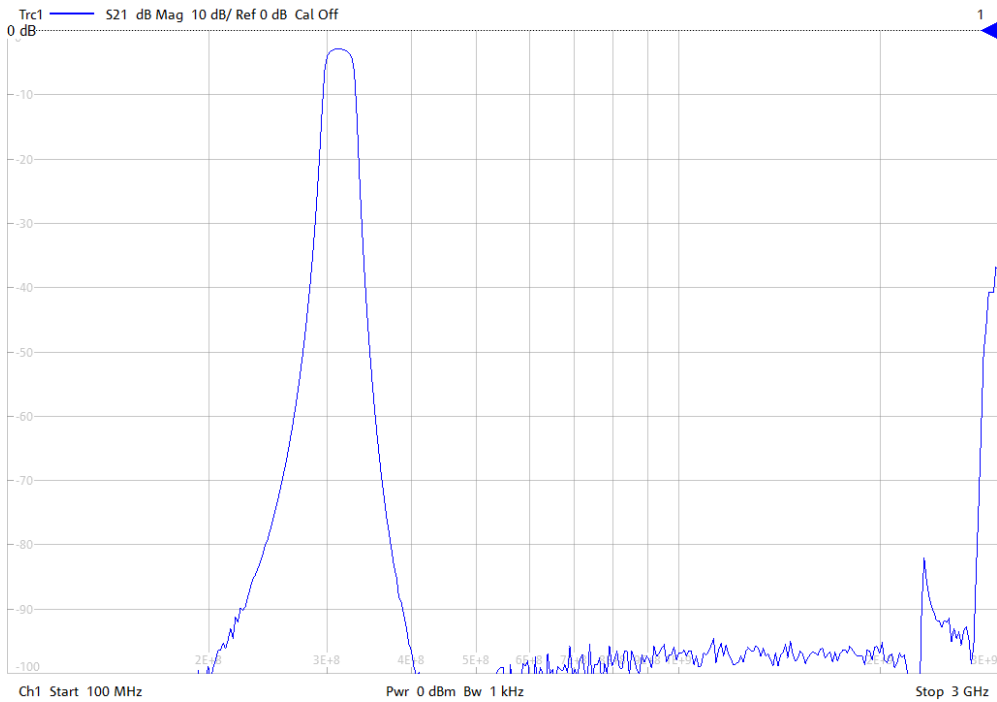
Web www.krfilters.com
Email sales@krfilters.com
Phone (732) 636-1900
Fax (732) 636-1982

KR Electronics 3334-SMA

Passband Amplitude & Return Loss (1 dB/div & 5 dB/div)



Overall Response (10 dB/div)



KR Electronics, Inc.
91 Avenel Street
Avenel, NJ 07001

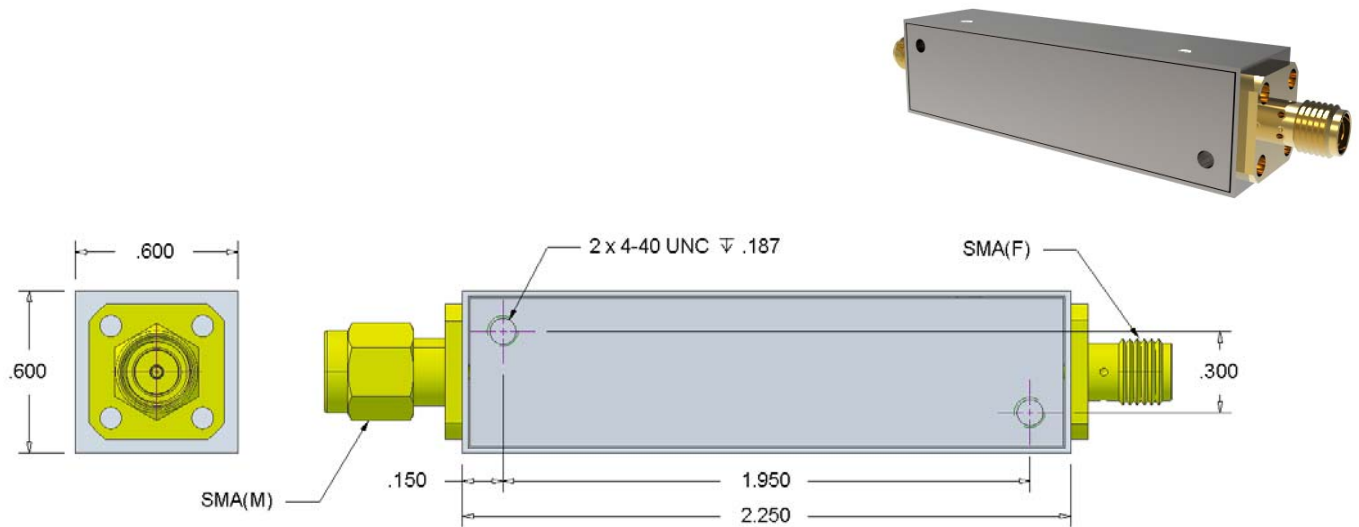
Web www.krfilters.com
Email sales@krfilters.com
Phone (732) 636-1900
Fax (732) 636-1982

KR Electronics 3334-SMA

Specifications

Parameter	Specification	
Filter type	Bandpass	
Center Frequency	312.5 MHz	
Insertion Loss	4 dBa max	2.7 dBa typical
1 dBc Bandwidth	25 MHz typical	
2 dBc Bandwidth	25 MHz min	29 MHz typical
3 dBc Bandwidth	31 MHz typical	
40 dBc Bandwidth	63 MHz typical	
60 dBc Bandwidth	125 MHz max	91 MHz typical
Source and Load	50 Ω	

Physical Dimensions



Notes:

1. Dimensions in inches
2. Rectangular case
3. Also available in surface mount package (0.50" x 1.50" x 0.30")

KR Electronics, Inc.
91 Avenel Street
Avenel, NJ 07001

Web www.krfilters.com
Email sales@krfilters.com
Phone (732) 636-1900
Fax (732) 636-1982