

KR Electronics, Inc.

General Description

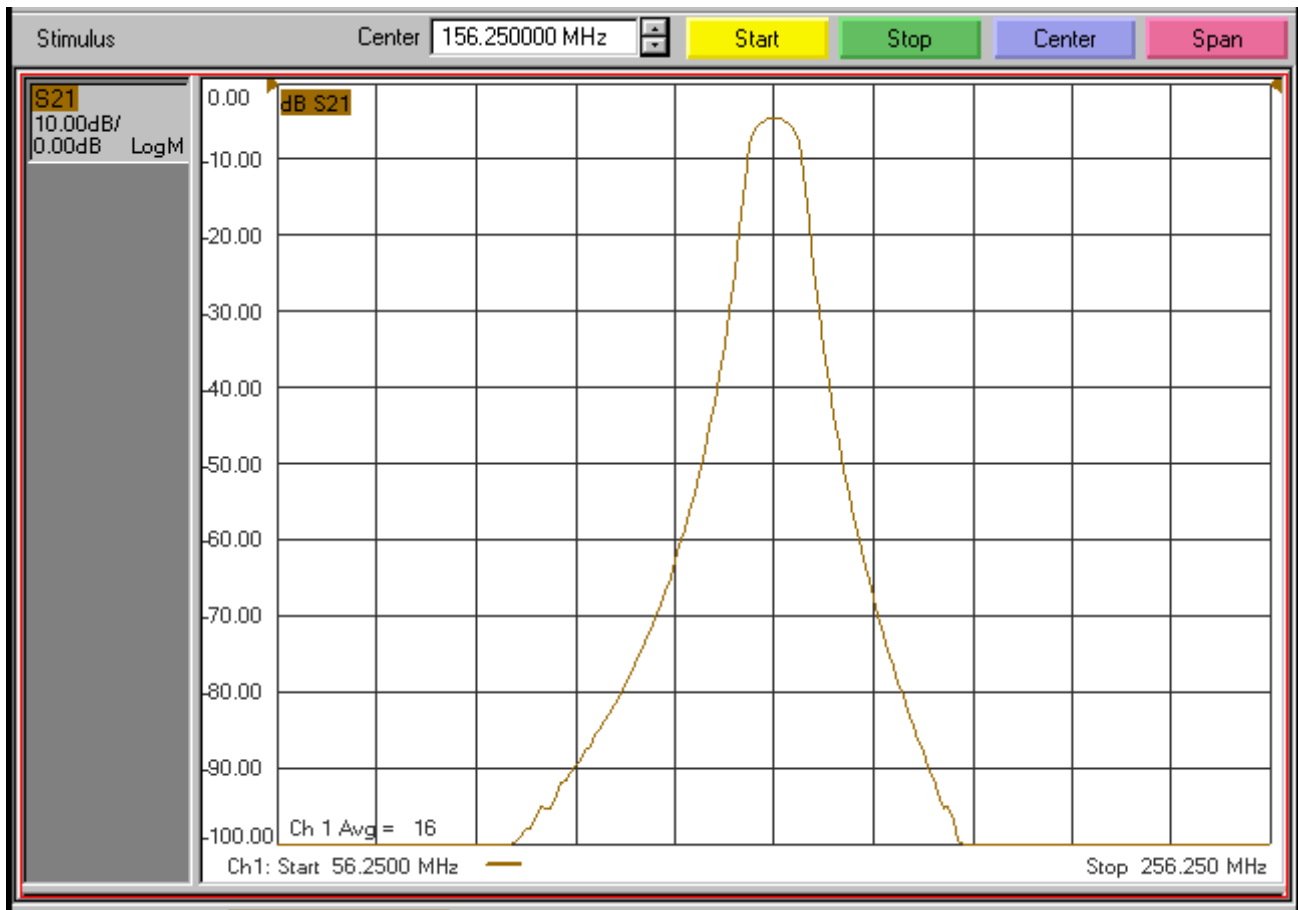
KR Electronics part number 3326-SMA is a 156.25 MHz bandpass filter. The filter has a min 1 dB bandwidth of 6 MHz. Other center frequencies are available. Please consult the factory.

Features

- 156.25 MHz Bandpass Filter
- 6 MHz minimum 1 dB Bandwidth
- 40 MHz typical 60 dB Bandwidth
- 50 Ω Source and Load
- SMA Connectors
- Surface Mount also available

Typical Performance

Overall Response
(10 dB/div)



KR Electronics, Inc.
91 Avenel Street
Avenel, NJ 07001

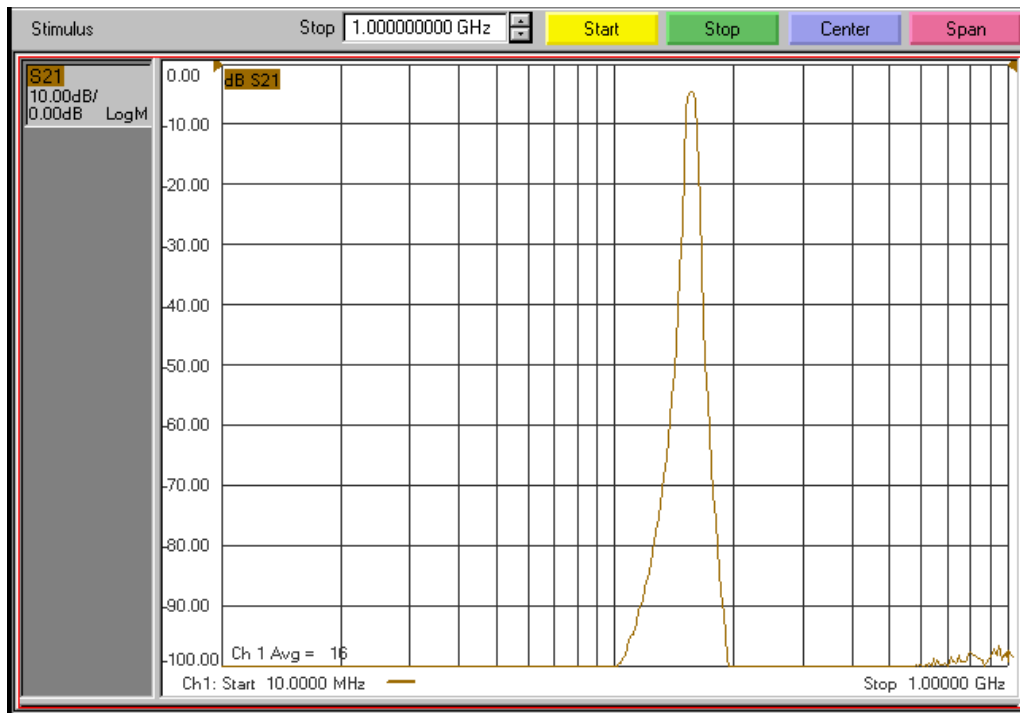
Web www.krfilters.com
Email sales@krfilters.com
Phone (732) 636-1900
Fax (732) 636-1982

KR Electronics 3326-SMA

Passband Amplitude & Group Delay (1 dB/div & 10 nsec/div)



Overall Response (10 dB/div)



KR Electronics, Inc.
91 Avenel Street
Avenel, NJ 07001

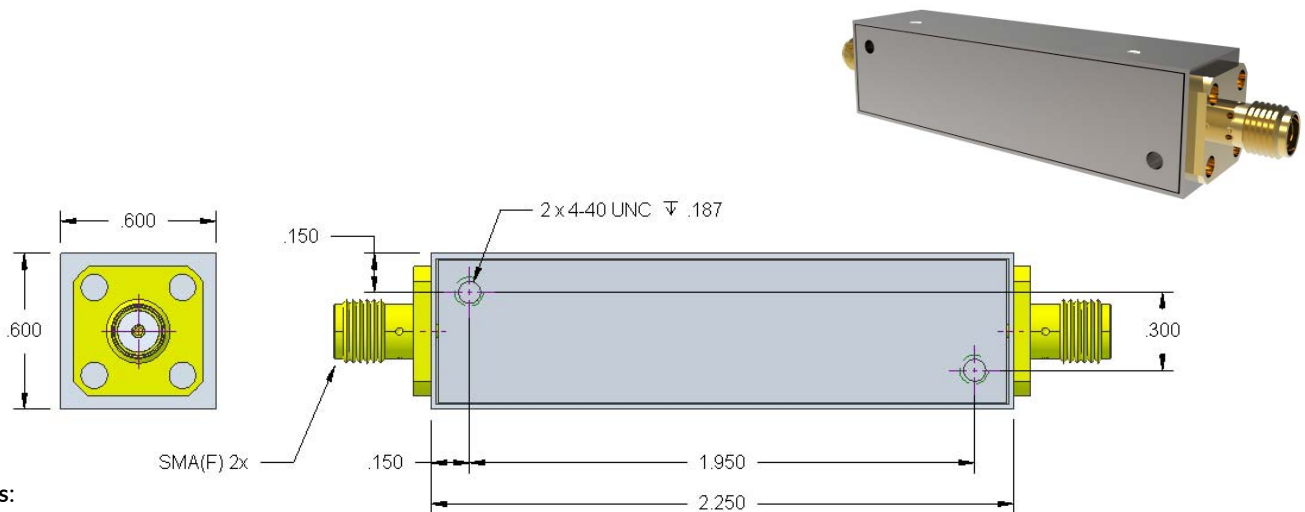
Web www.krfilters.com
Email sales@krfilters.com
Phone (732) 636-1900
Fax (732) 636-1982

KR Electronics 3326-SMA

Specifications

Parameter	Specification	
Filter type	Bandpass	
Center Frequency (Fc)	156.25 MHz	
Insertion Loss at Fc	6 dBa max	4 dBa typical
1 dB Bandwidth	6 MHz min	6.6 MHz typical
3 dB Bandwidth	9.7 MHz typical	
20 dB Bandwidth	16 MHz typical	
30 dB Bandwidth	24 MHz max	
40 dB Bandwidth	25 MHz typical	
60 dB Bandwidth	40 MHz typical	
Source and Load	50 Ω	

Physical Dimensions



Notes:

1. Dimensions in inches
2. Rectangular case
3. Surface mount package also available

KR Electronics, Inc.
91 Avenel Street
Avenel, NJ 07001

Web www.krfilters.com
Email sales@krfilters.com
Phone (732) 636-1900
Fax (732) 636-1982