

KR Electronics, Inc.

General Description

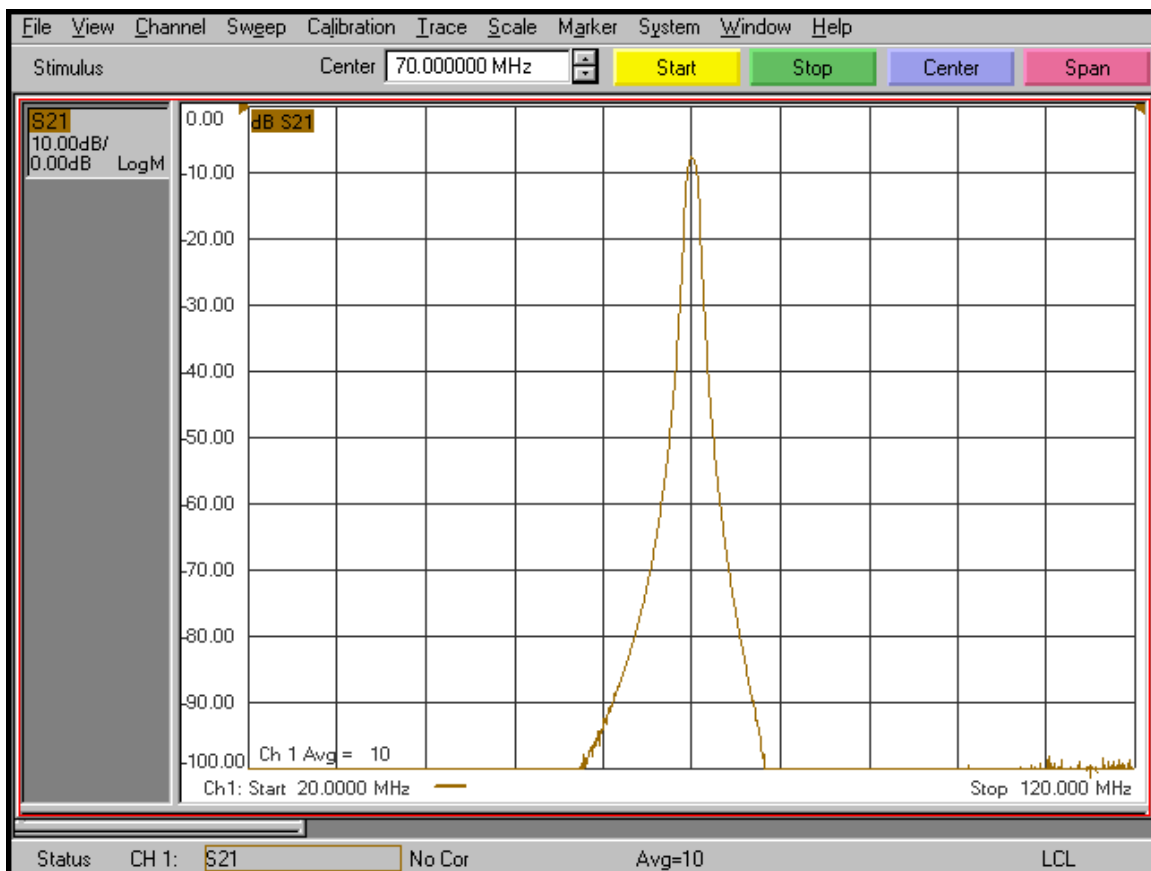
KR Electronics part number 3324 is a 70 MHz bandpass filter. The filter has a typical 3 dB bandwidth of 1 MHz. Other center frequencies are available. Please consult the factory.

Features

- 70 MHz Bandpass Filter
- 1 MHz 3 dB Bandwidth
- 4.6 MHz typical 40 dB Bandwidth
- 50 dB Stopband to 4 GHz
- 50 Ω Source and Load
- SMA Connectors

Typical Performance

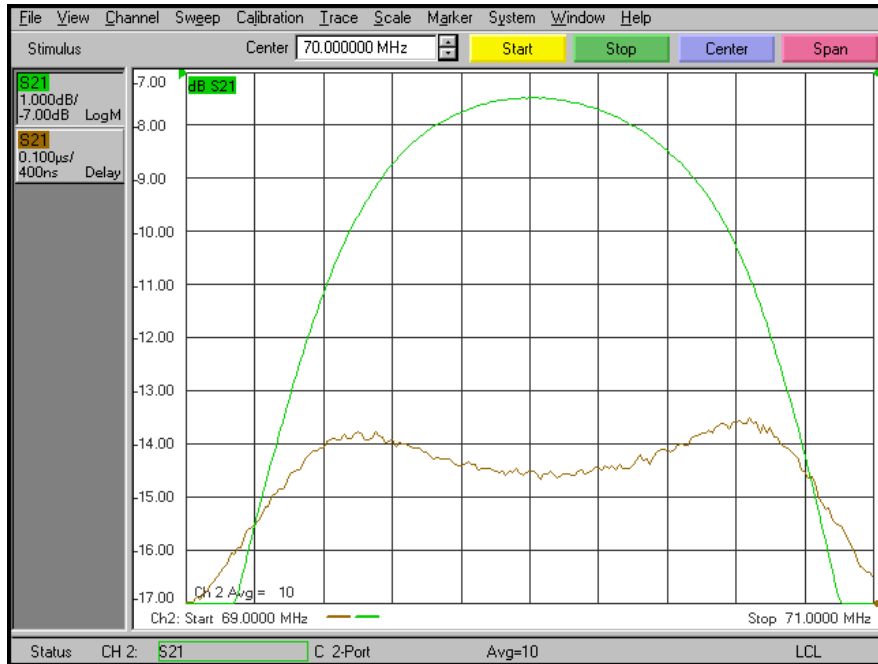
Overall Response (10 dB/div)



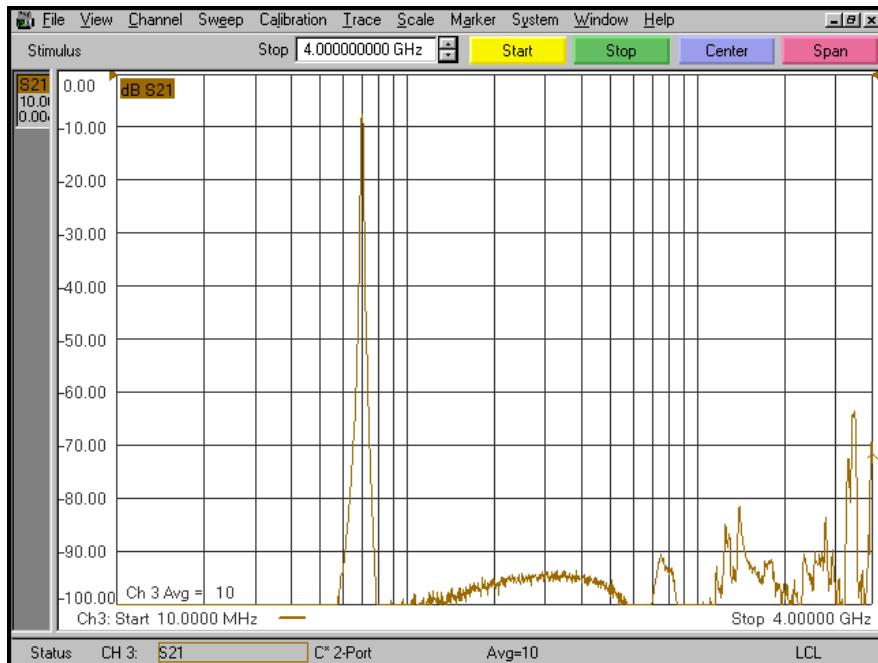
KR Electronics, Inc.
91 Avenel Street
Avenel, NJ 07001

Web www.krfilters.com
Email sales@krfilters.com
Phone (732) 636-1900
Fax (732) 636-1982

Passband Amplitude & Group Delay
(1 dB/div & 100 nsec/div)



Overall Response
(10 dB/div)

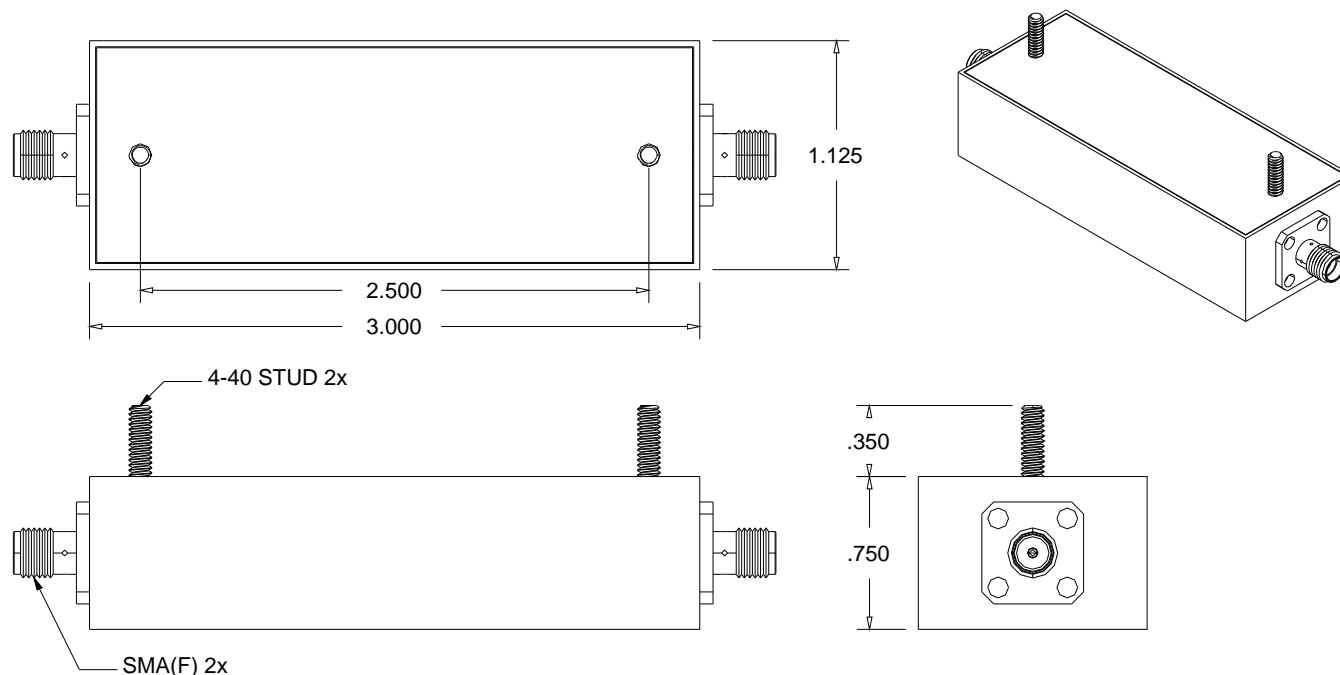


KR Electronics 3324

Specifications

Parameter	Specification	
Filter type	Bandpass	
Center Frequency (Fc)	70 MHz	
Insertion Loss at Fc	9 dBa max	8 dBa typical
1 dB Bandwidth	0.758 MHz typical	
3 dB Bandwidth	1 MHz ±20%	
20 dB Bandwidth	2.54 MHz typical	
40 dB Bandwidth	4.63 MHz typical	
60 dB Bandwidth	8.30 MHz typical	
Rejection to 4000 MHz	50 dB min	
Source and Load	50 Ω	

Physical Dimensions



- Notes:
1. Dimensions in inches
 2. Rectangular case

KR Electronics, Inc.
91 Avenel Street
Avenel, NJ 07001

Web www.krfilters.com
Email sales@krfilters.com
Phone (732) 636-1900
Fax (732) 636-1982