

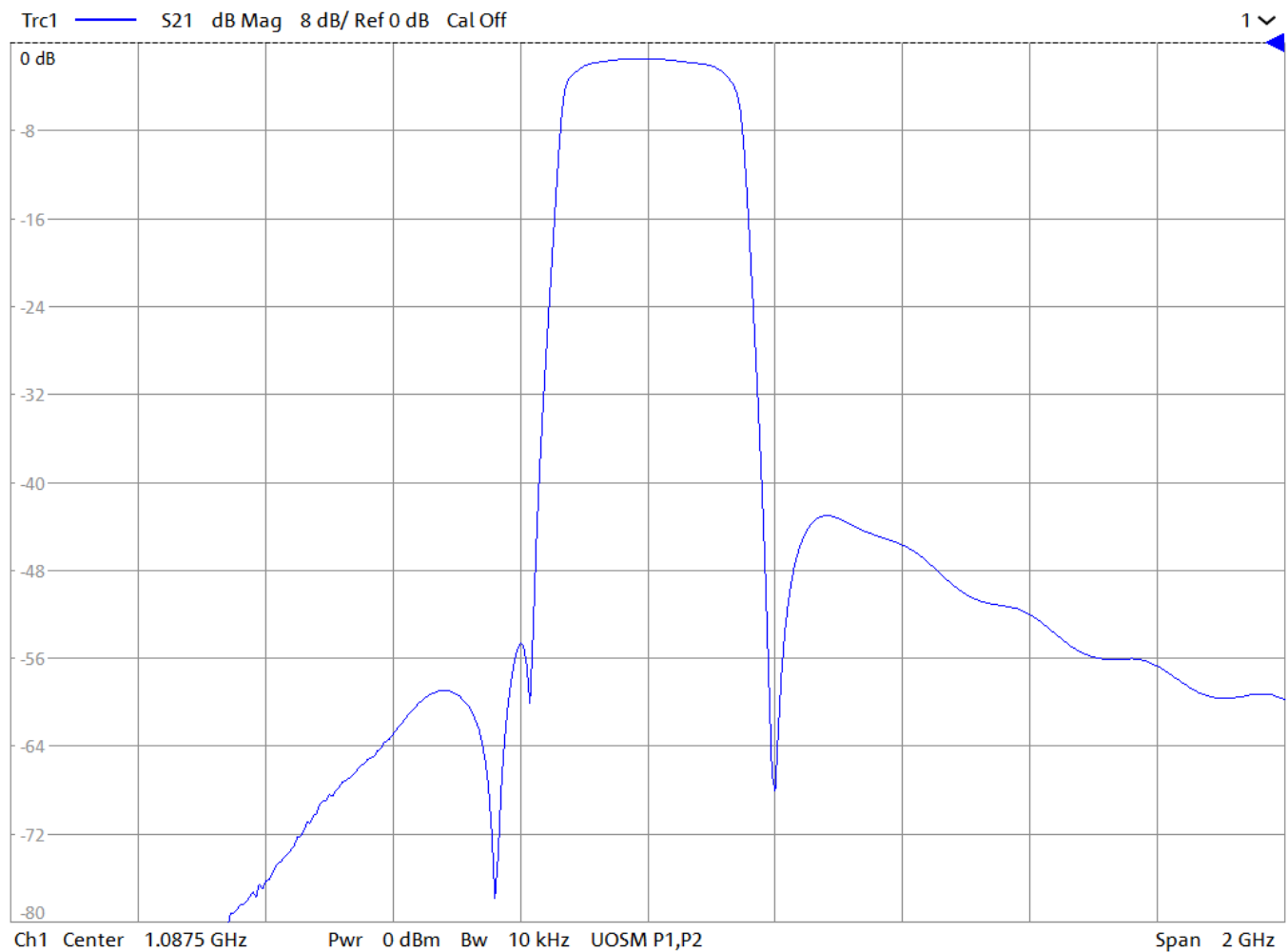
General Description

KR Electronics part number 3323-1 is a 1087.5 MHz Bandpass filter. The filter has a typical 1 dB bandwidth of 224 MHz. Other center frequencies and bandwidths are available. Please consult the factory.

Features

- 1087.5 MHz Bandpass Filter
- 3 dB Bandwidth: 241 MHz min
- 30 dB Bandwidth: 350 MHz max
- Selective Elliptic type design
- 50 Ω Source and Load
- Other frequencies available
- Surface Mount

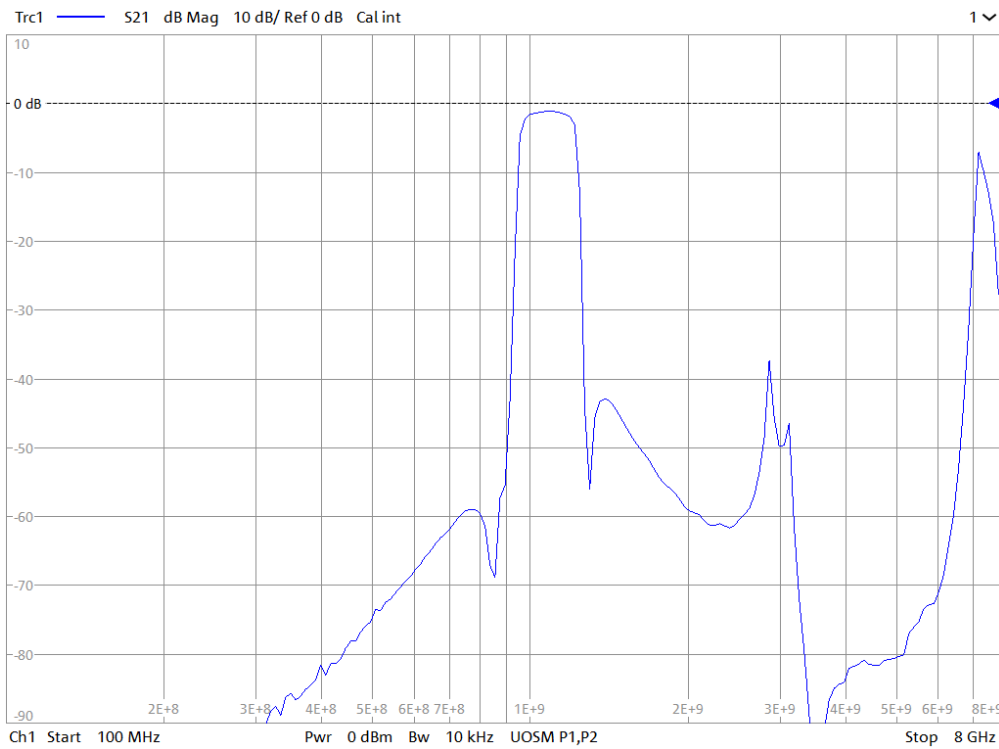
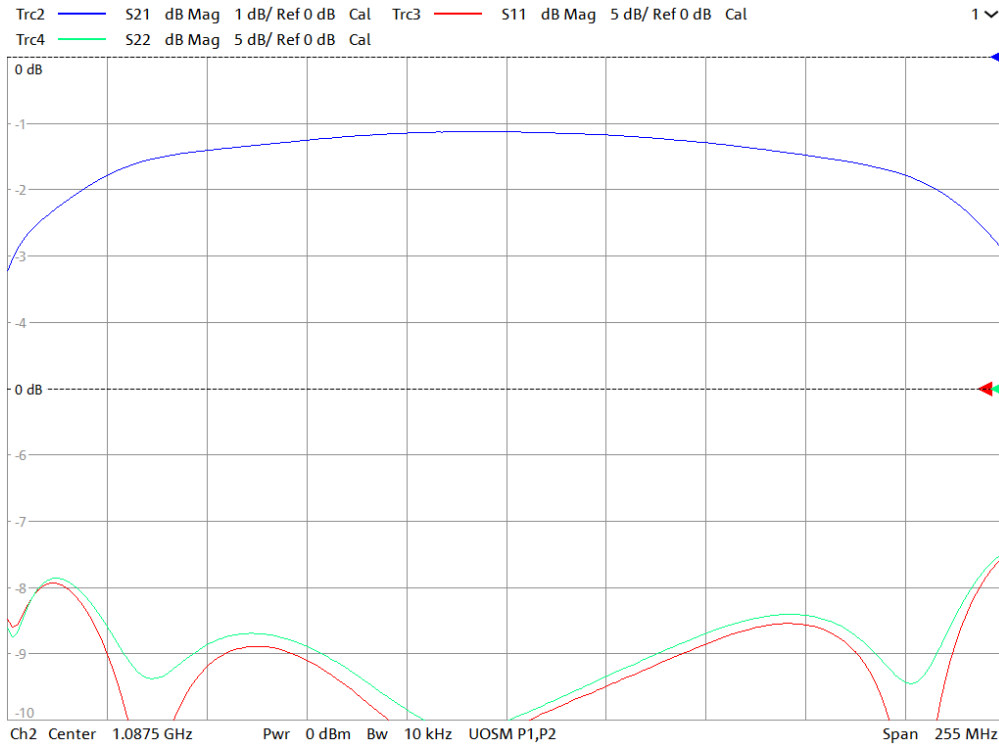
Typical Performance



KR Electronics, Inc.
91 Avenel Street
Avenel, NJ 07001

www.krfilters.com
sales@krfilters.com
(732) 636-1900

KR Electronics 3323-1

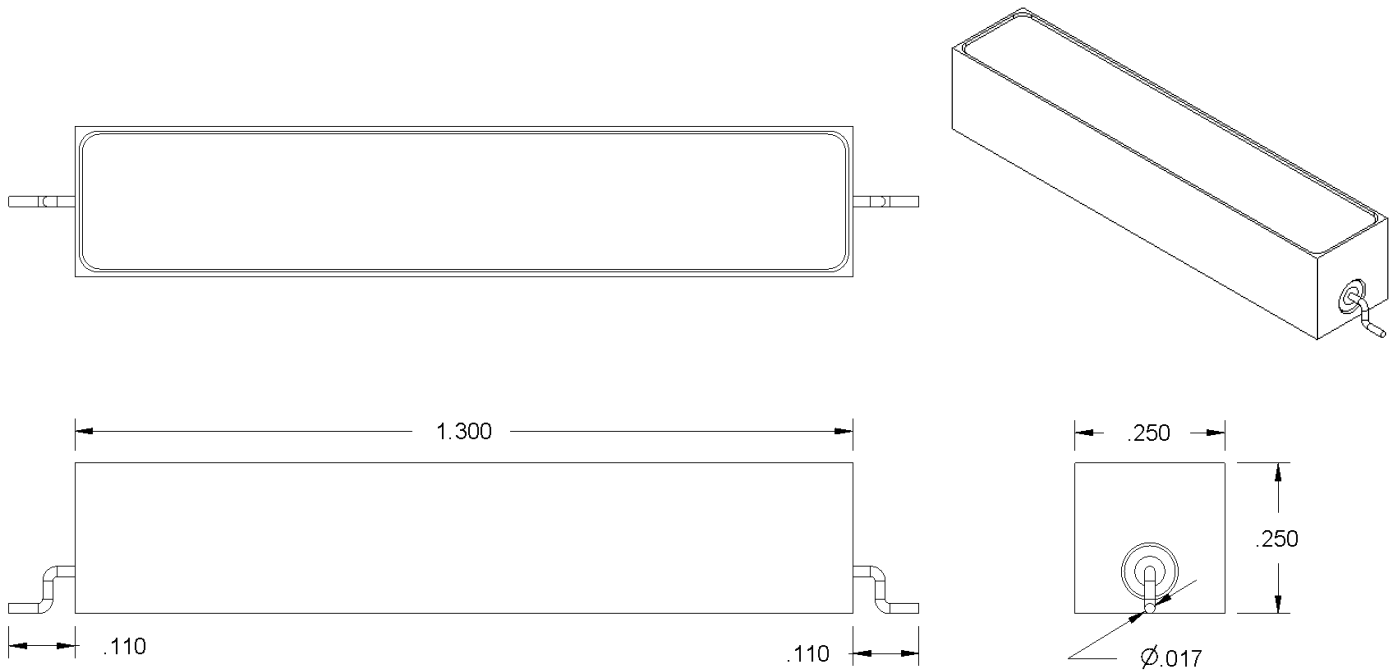


KR Electronics 3323-1

Specifications

Parameter	Specification	Notes
Filter type	Bandpass	
Center Frequency	1087.5 MHz	
Insertion Loss at Fc	2 dBa max	1.2 dBa typical
1 dBc Bandwidth	224 MHz typical	
3 dBc Bandwidth	241 MHz min	260-270 MHz typical
20 dBc Bandwidth	335 MHz min	315 MHz typical
30 dBc Bandwidth	350 MHz max	335 MHz typical
Source and Load	50 Ω	

Physical Dimensions



Notes:

1. Surface mount package
2. Dimensions in inches
3. Tolerance unless noted ± 0.010 "
4. Maximum reflow temperature is 210° C for 10 sec maximum.