

General Description

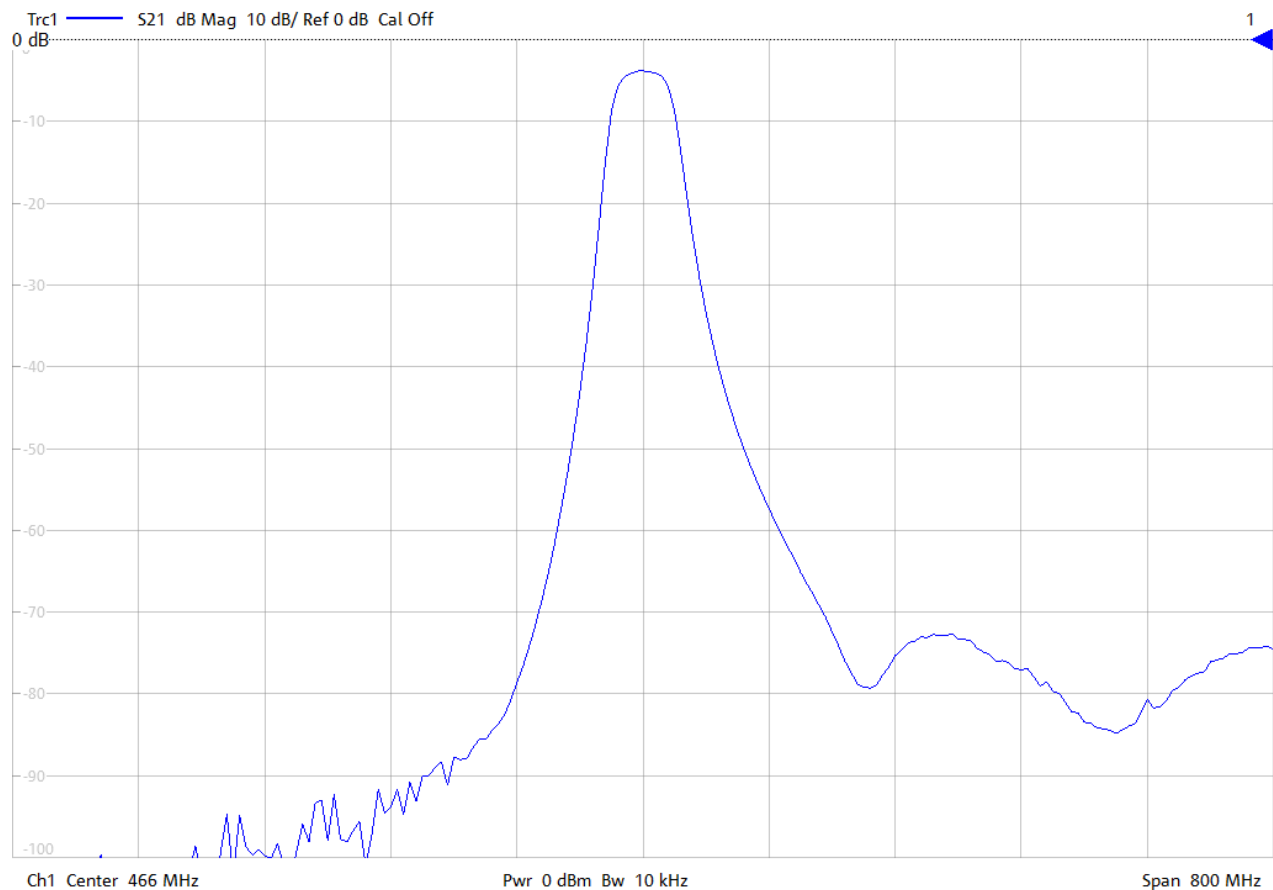
KR Electronics part number 3322 is a 466 MHz bandpass filter. Other frequencies are available. Please consult the factory.

Features

- 466 MHz Bandpass Filter
- 3 dB Bandwidth 30 MHz min
- 40 dB Bandwidth 94 MHz typical
- 50 Ω Source and Load
- Surface Mount
- Also available with SMA Connectors

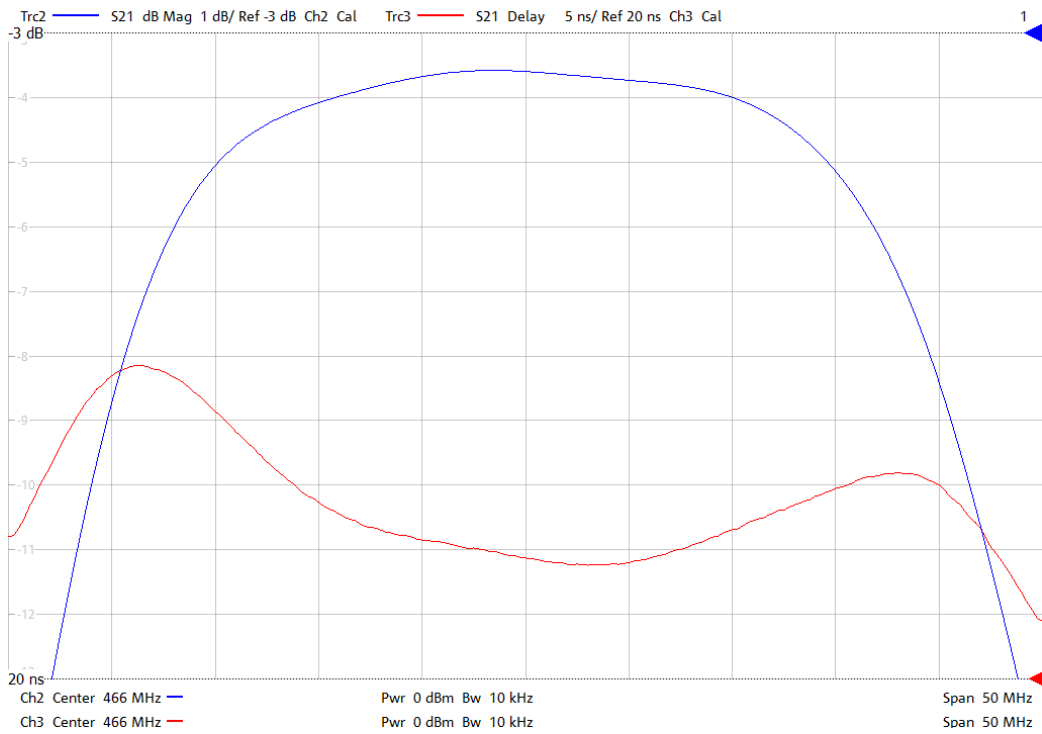
Typical Performance

Overall Response (10 dB/div)

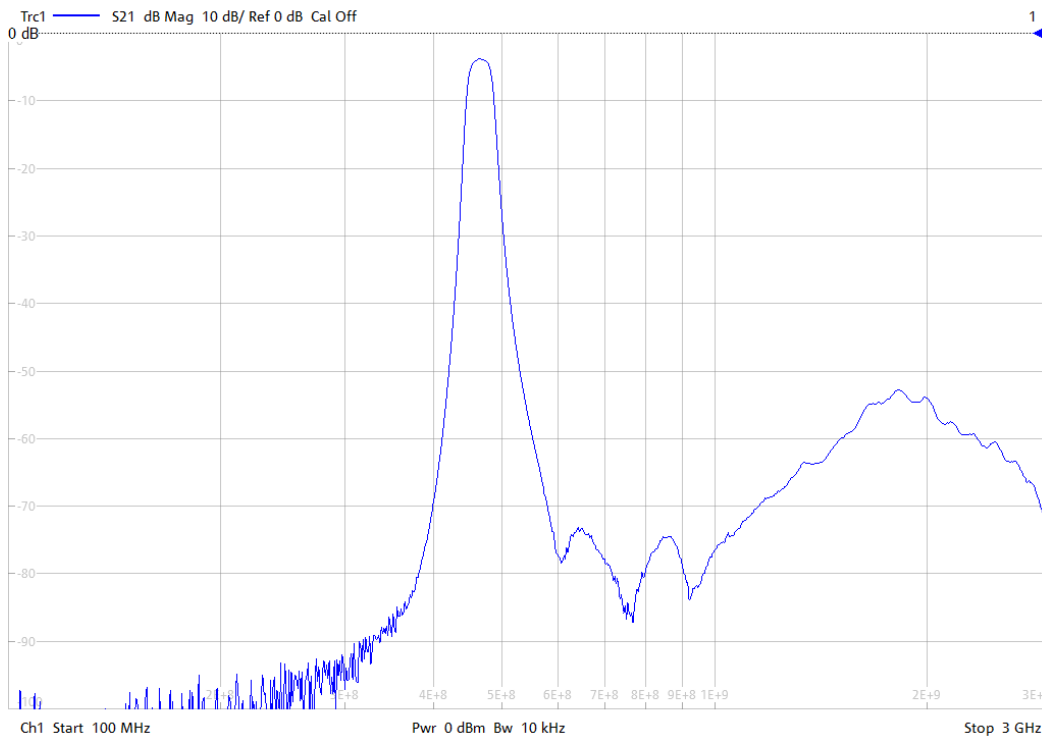


KR Electronics 3322

Passband Amplitude & Group Delay (1 dB/div & 5 nsec/div)



Overall Response



KR Electronics, Inc.
91 Avenel Street
Avenel, NJ 07001

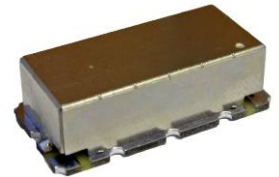
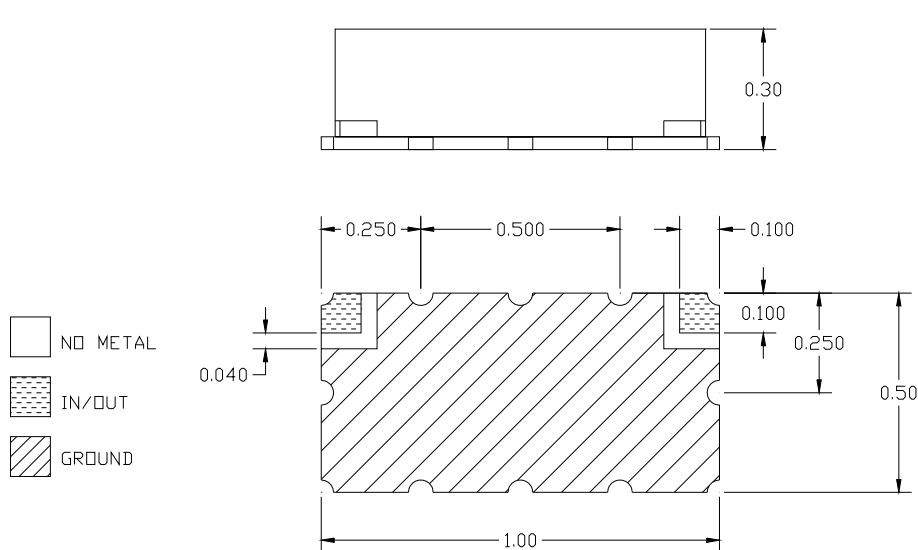
Web www.krfilters.com
Email sales@krfilters.com
Phone (732) 636-1900

KR Electronics 3322

Specifications

Parameter	Specification	Notes
Filter type	Bandpass	
Center Frequency	466 MHz	
Insertion Loss	4.5 dBa max	3.6 dBa typical
3 dBc Bandwidth	30 MHz min	36 MHz typical
20 dBc Bandwidth	59 MHz typical	
40 dBc Bandwidth	94 MHz typical	
60 dBc Bandwidth	160 MHz typical	
Source and Load	50 Ω	

Physical Dimensions



Notes:

1. Surface mount package
2. Dimensions in inches
3. Max reflow temperature 230° C for 10 sec
4. If boards are cleaned after installation units must be completely dried