

# KR Electronics, Inc.

## General Description

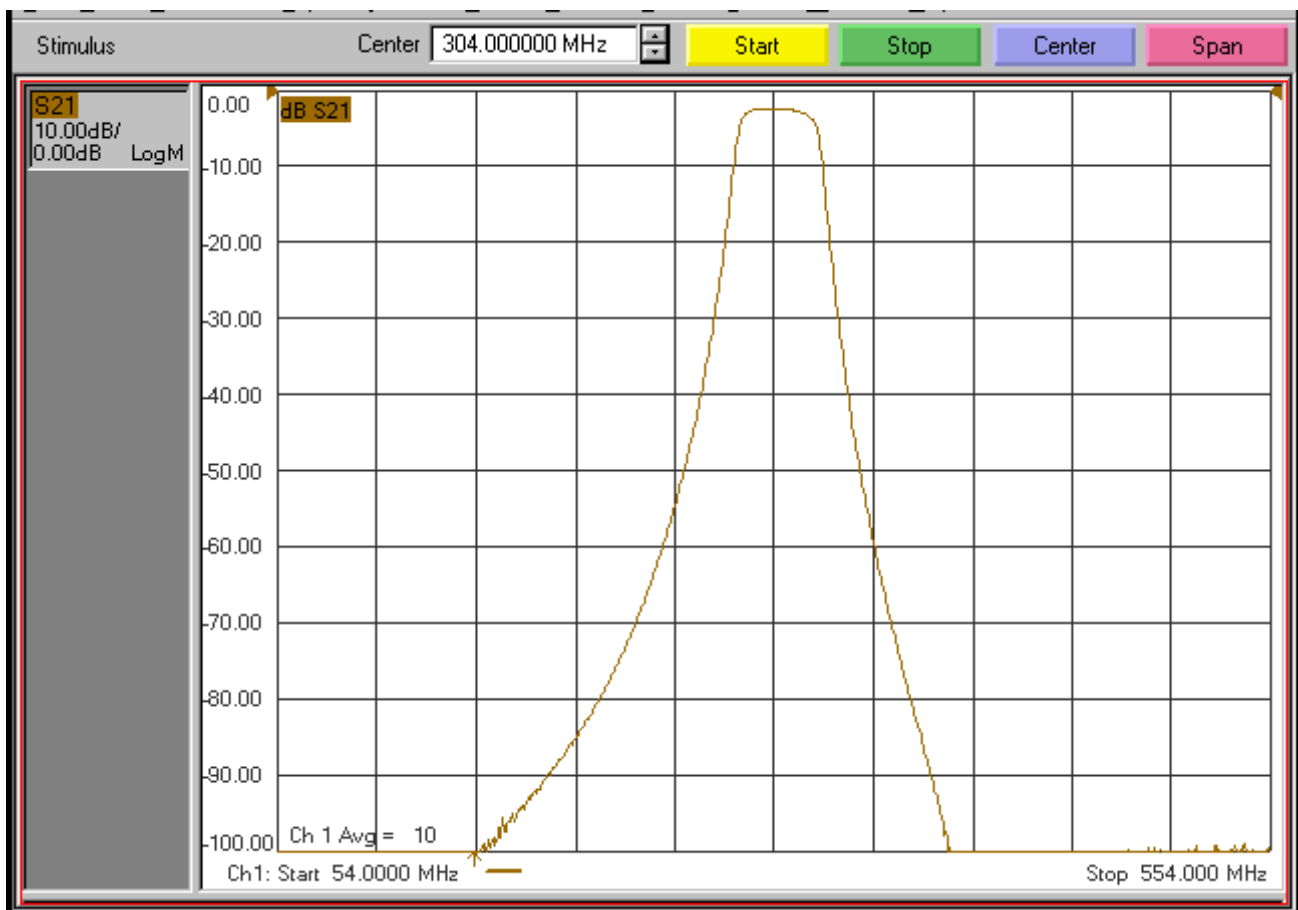
KR Electronics part number 3321-SMA is a 304 MHz bandpass filter. The filter has a min 2 dB bandwidth of 30 MHz. Other center frequencies are available. Please consult the factory.

### Features

- 304 MHz Bandpass Filter
- 30 MHz minimum 2 dB Bandwidth
- 112 MHz typical 60 dB Bandwidth
- 50  $\Omega$  Source and Load
- SMA Connectors
- Surface Mount also available

## Typical Performance

**Overall Response**  
(10 dB/div)

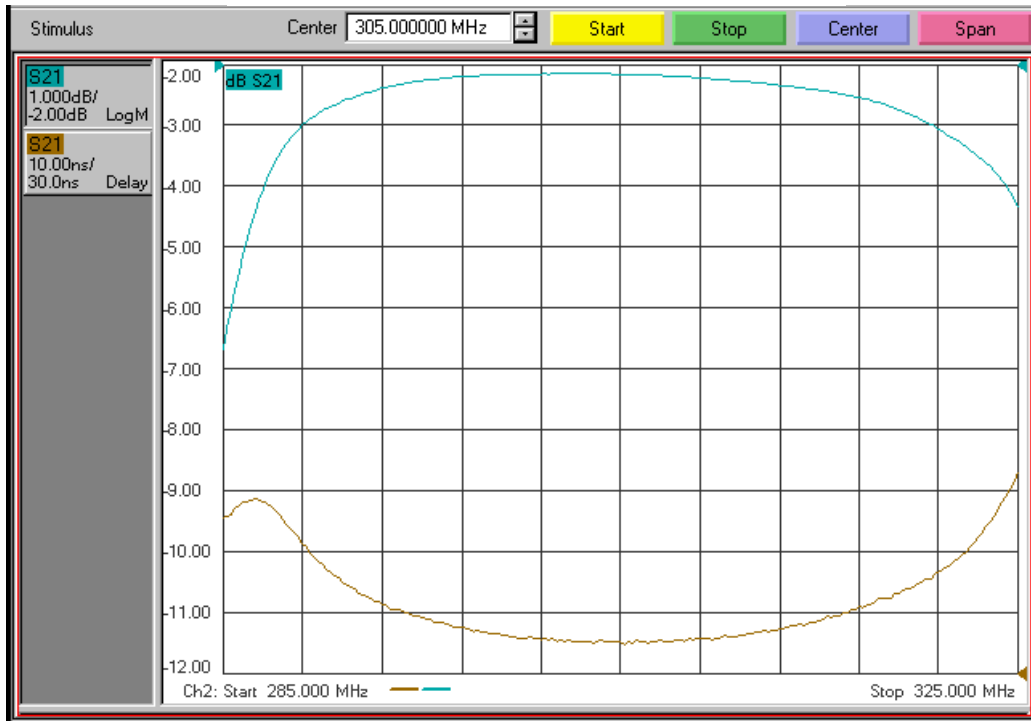


KR Electronics, Inc.  
91 Avenel Street  
Avenel, NJ 07001

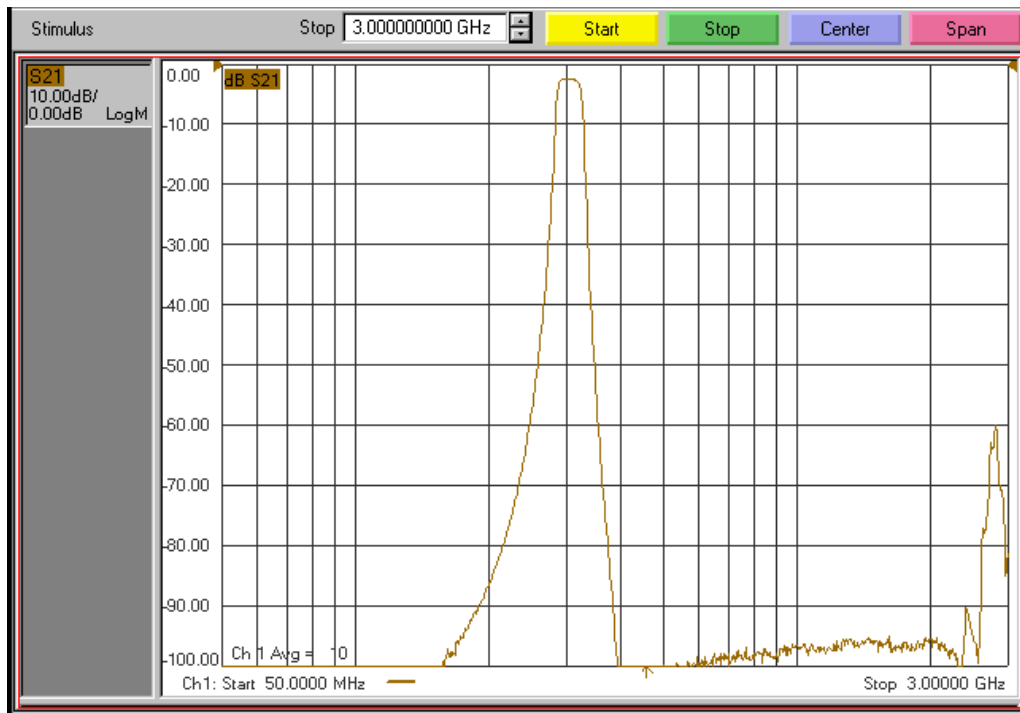
Web [www.krfilters.com](http://www.krfilters.com)  
Email [sales@krfilters.com](mailto:sales@krfilters.com)  
Phone (732) 636-1900  
Fax (732) 636-1982

# KR Electronics 3321-SMA

## Passband Amplitude & Group Delay (1 dB/div & 10 nsec/div)



## Overall Response (10 dB/div)



KR Electronics, Inc.  
91 Avenel Street  
Avenel, NJ 07001

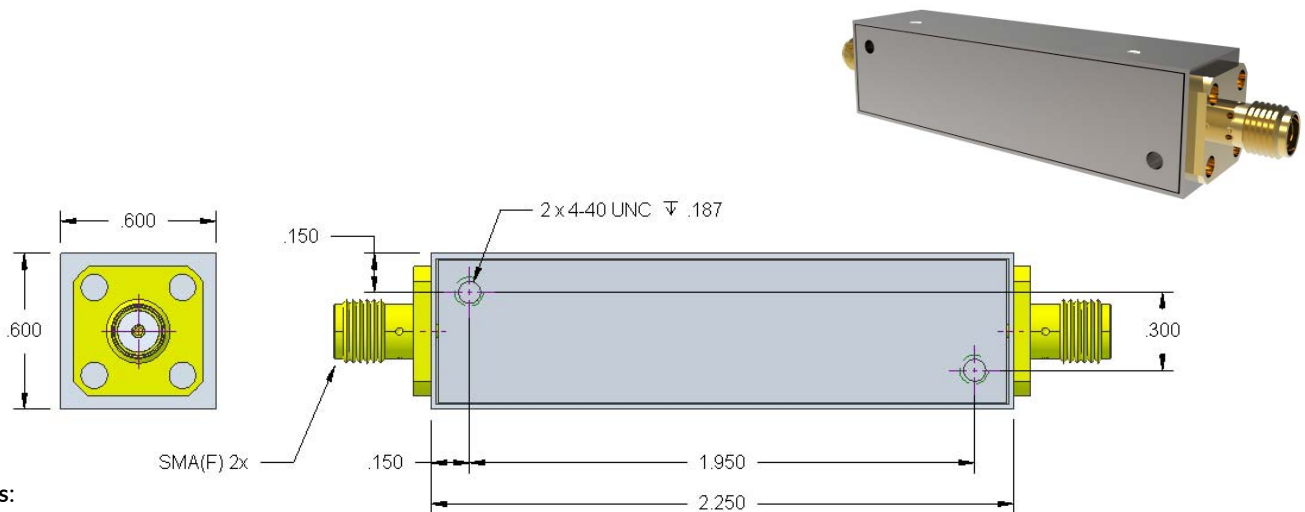
Web www.krfilters.com  
Email sales@krfilters.com  
Phone (732) 636-1900  
Fax (732) 636-1982

# KR Electronics 3321-SMA

## Specifications

Parameter	Specification	
Filter type	Bandpass	
Center Frequency (Fc)	304 MHz	
Insertion Loss at Fc	4 dBa max	2.2 dBa typical
1 dB Bandwidth	32.7 MHz typical	
2 dB Bandwidth	30 MHz min	
3 dB Bandwidth	39.8 MHz typical	
40 dB Bandwidth	77.5 MHz typical	
60 dB Bandwidth	112 MHz typical	
Source and Load	50 Ω	

## Physical Dimensions



**Notes:**

1. Dimensions in inches
2. Rectangular case
3. Surface mount package also available