

General Description

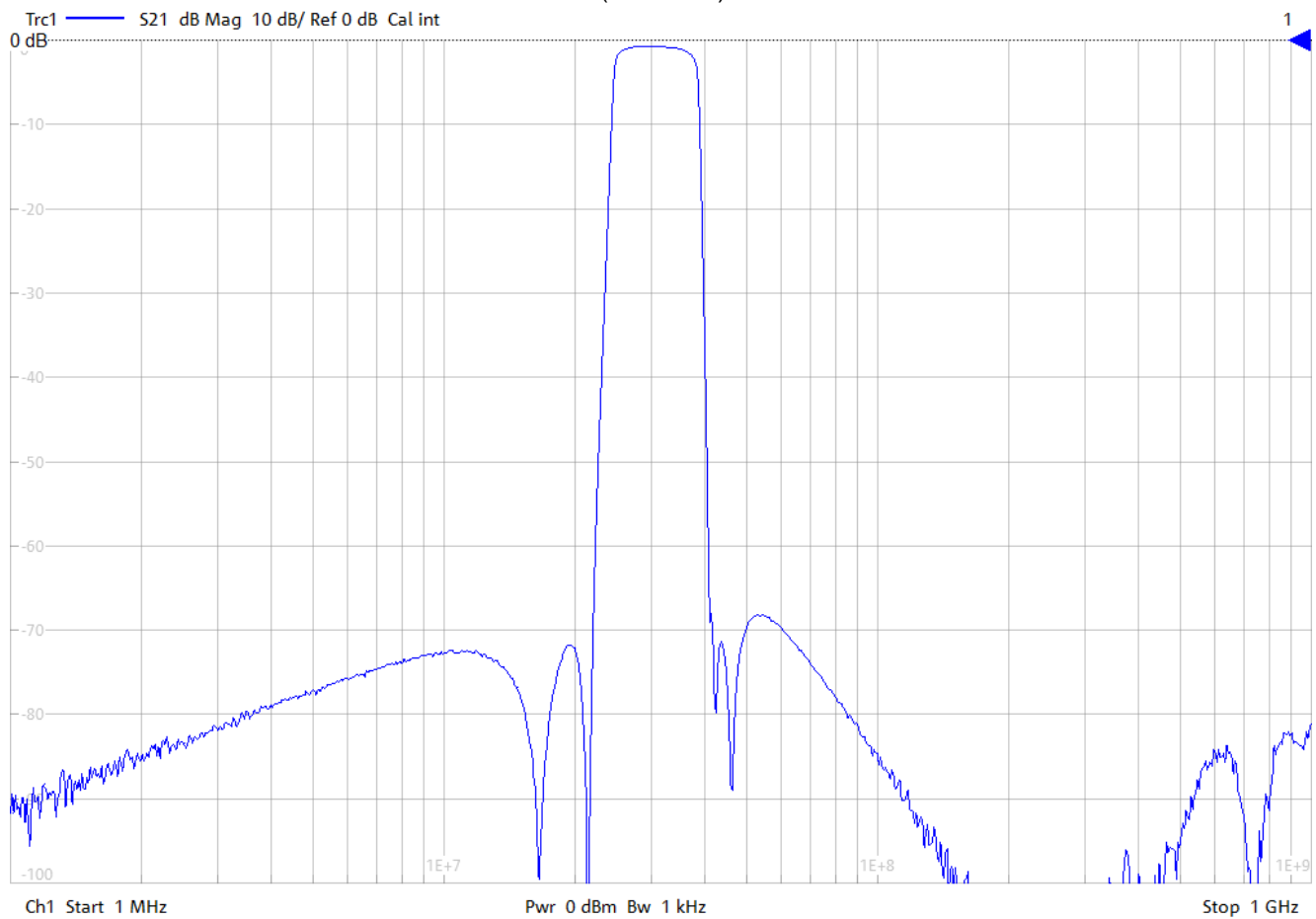
KR Electronics part number 3315 is a 31.6 MHz Bandpass filter. The filter has a minimum 2 dB bandwidth of 11 MHz. Other center frequencies and bandwidths are available. Please consult the factory.

Features

- 31.6 MHz Bandpass Filter
- 2 dB BW 11 MHz min, 13 MHz typ
- 60 dB BW 19 MHz max, 18.4 MHz typ
- Selective Elliptic Response
- 50 Ω Source and Load
- Other frequencies available
- Surface Mount
- Also available with SMA Connectors

Typical Performance

Overall Response
(10 dB/div)



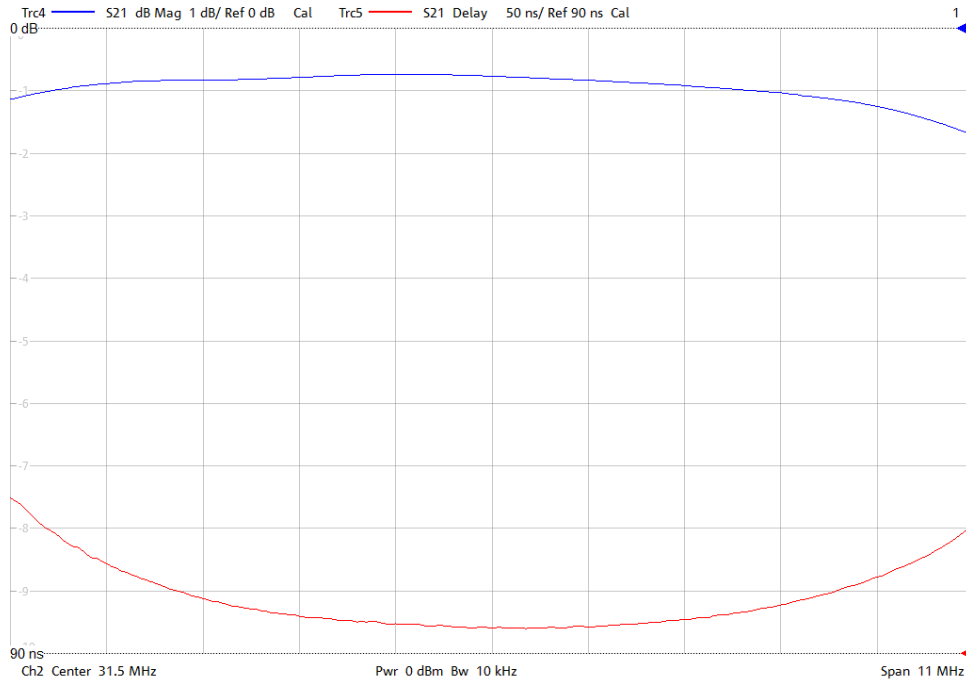
KR Electronics, Inc.
91 Avenel Street
Avenel, NJ 07001

Web www.krfilters.com
Email sales@krfilters.com
Phone (732) 636-1900
Fax (732) 636-1982

KR Electronics 3315

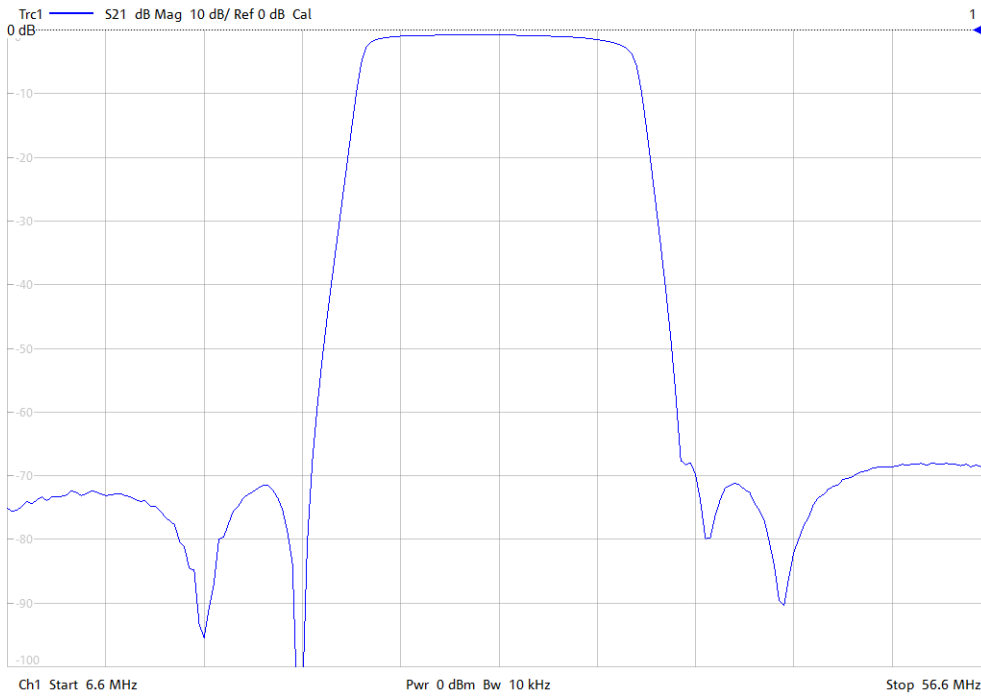
Passband Amplitude & Group Delay

(1 dB/div & 50 nsec/div)



Overall Response

(10 dB/div)



KR Electronics, Inc.
91 Avenel Street
Avenel, NJ 07001

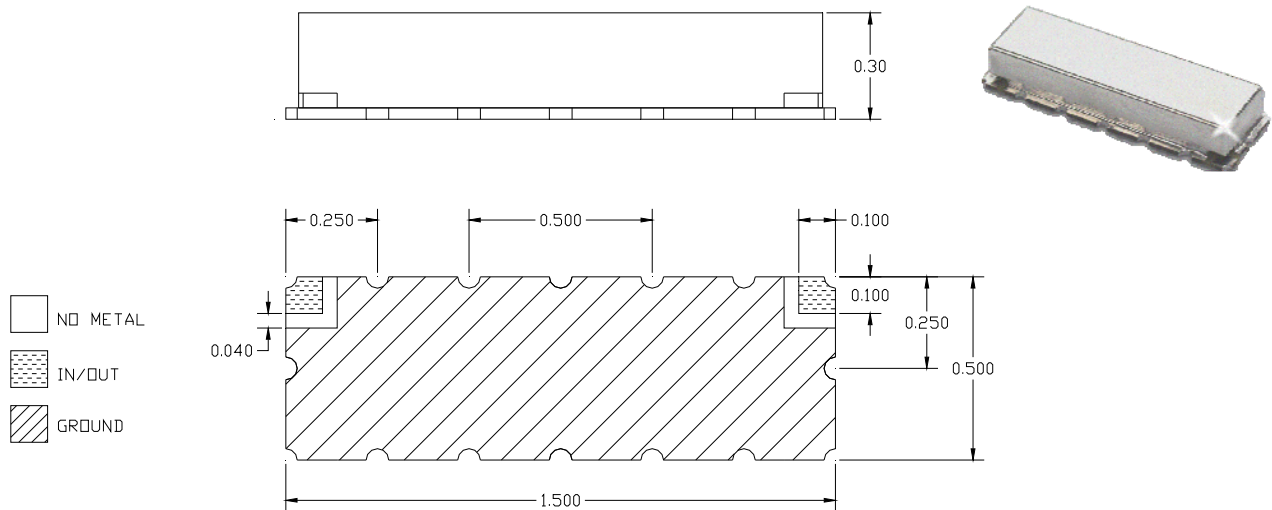
Web www.krfilters.com
Email sales@krfilters.com
Phone (732) 636-1900
Fax (732) 636-1982

KR Electronics 3315

Specifications

Parameter	Specification	Notes
Filter type	Bandpass	
Center Frequency	31.6 MHz	
Insertion Loss at Fc	2 dBa max	<1 dBa typical
2 dBc Bandwidth	11 MHz min	13 MHz typical
3 dBc Bandwidth	13.6 MHz typical	
40 dBc Bandwidth	17.0 MHz typical	
60 dBc Bandwidth	19 MHz max	
Source and Load	50 Ω	

Physical Dimensions



Notes:

1. Surface mount package
2. Dimensions in inches
3. Max reflow temperature 230° C for 10 sec
4. If boards are cleaned after installation units must be completely dried