

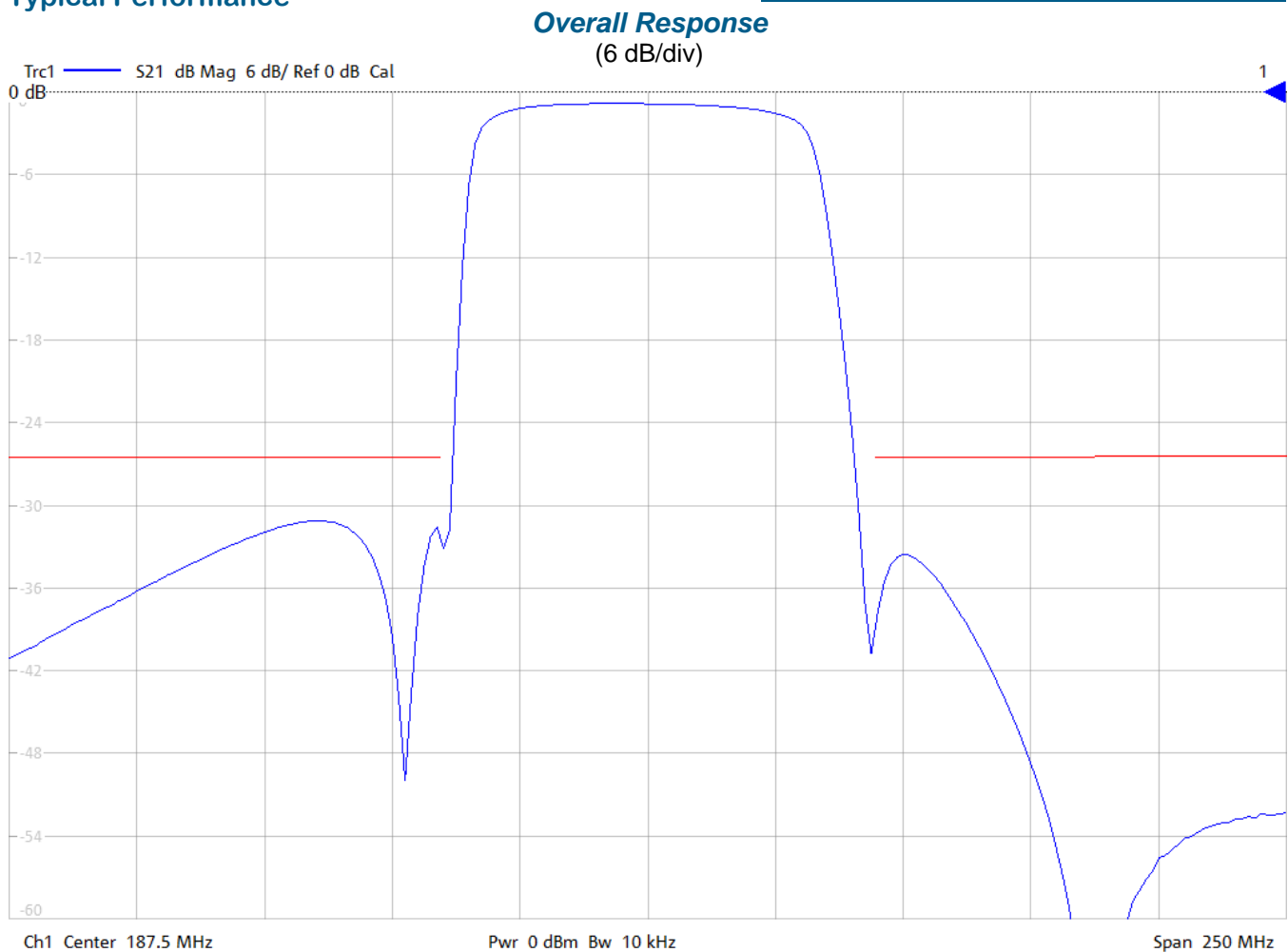
## General Description

KR Electronics part number 3310-187.5-SMA is a 187.5 MHz Bandpass filter. The filter has a minimum 1 dB bandwidth of 45 MHz. Other center frequencies and bandwidths are available. Please consult the factory.

## Features

- 187.5 MHz Bandpass Filter
- 1 dB BW 45 MHz min, 57 MHz Typ
- 25 dB BW 85 MHz max, 78 MHz Typ
- Selective Elliptic Response
- 50  $\Omega$  Source and Load
- Other frequencies available
- SMA Connectors
- Surface Mount also available

## Typical Performance

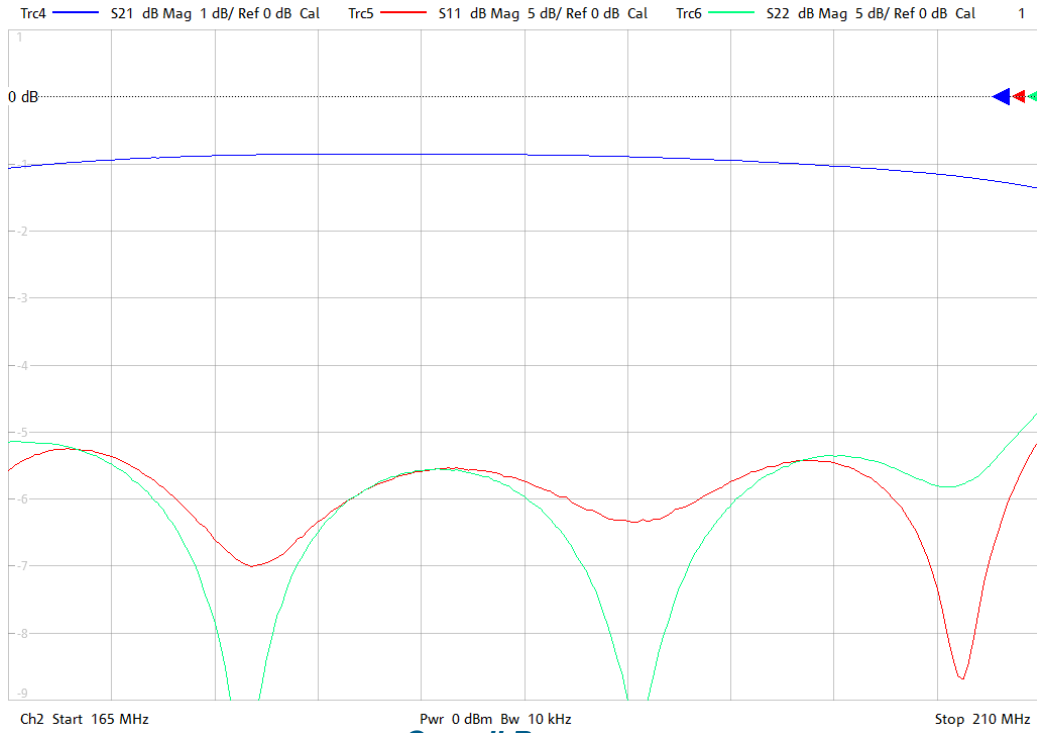


KR Electronics, Inc.  
91 Avenel Street  
Avenel, NJ 07001

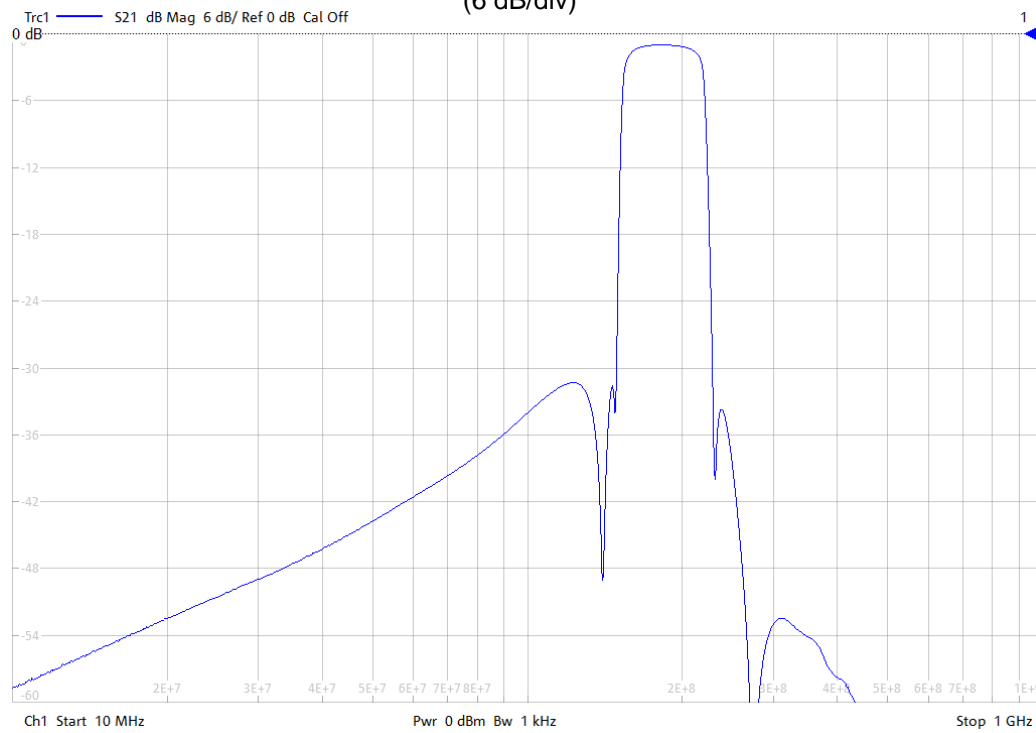
Web [www.krfilters.com](http://www.krfilters.com)  
Email [sales@krfilters.com](mailto:sales@krfilters.com)  
Phone (732) 636-1900  
Fax (732) 636-1982

# KR Electronics 3310-187.5-SMA

## Passband Amplitude & Return Loss (1 dB/div & 5 dB/div)



## Overall Response (6 dB/div)



KR Electronics, Inc.  
91 Avenel Street  
Avenel, NJ 07001

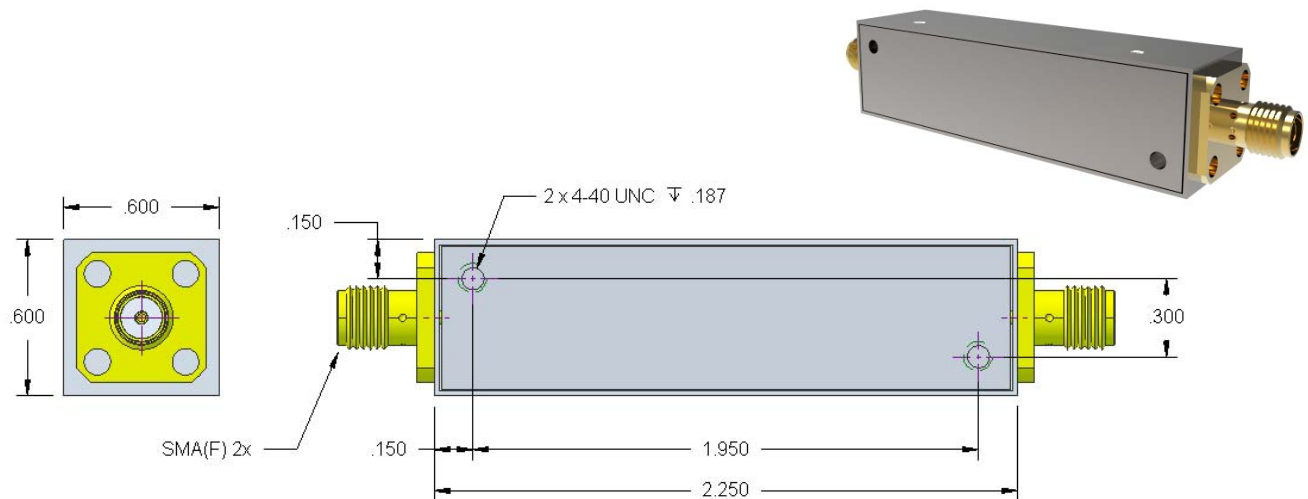
Web [www.krfilters.com](http://www.krfilters.com)  
Email [sales@krfilters.com](mailto:sales@krfilters.com)  
Phone (732) 636-1900  
Fax (732) 636-1982

# KR Electronics 3310-187.5-SMA

## Specifications

Parameter	Specification	Notes
Filter type	Bandpass	
Center Frequency	187.5 MHz	
Insertion Loss at Fc	2 dBa max	0.75 dBa typical
1 dBc Bandwidth	45 MHz min	57 MHz typical
3 dBc Bandwidth	65 MHz typical	
25 dBc Bandwidth	85 MHz max	78 MHz typical
30 dBc Bandwidth	80 MHz typical	
Source and Load	50 $\Omega$	

## Physical Dimensions



### Notes:

1. Dimensions in inches
2. Metal Case
3. SMA(F) Connectors
4. Also available in a surface mount package

KR Electronics, Inc.  
91 Avenel Street  
Avenel, NJ 07001

Web [www.krfilters.com](http://www.krfilters.com)  
Email [sales@krfilters.com](mailto:sales@krfilters.com)  
Phone (732) 636-1900  
Fax (732) 636-1982