

General Description

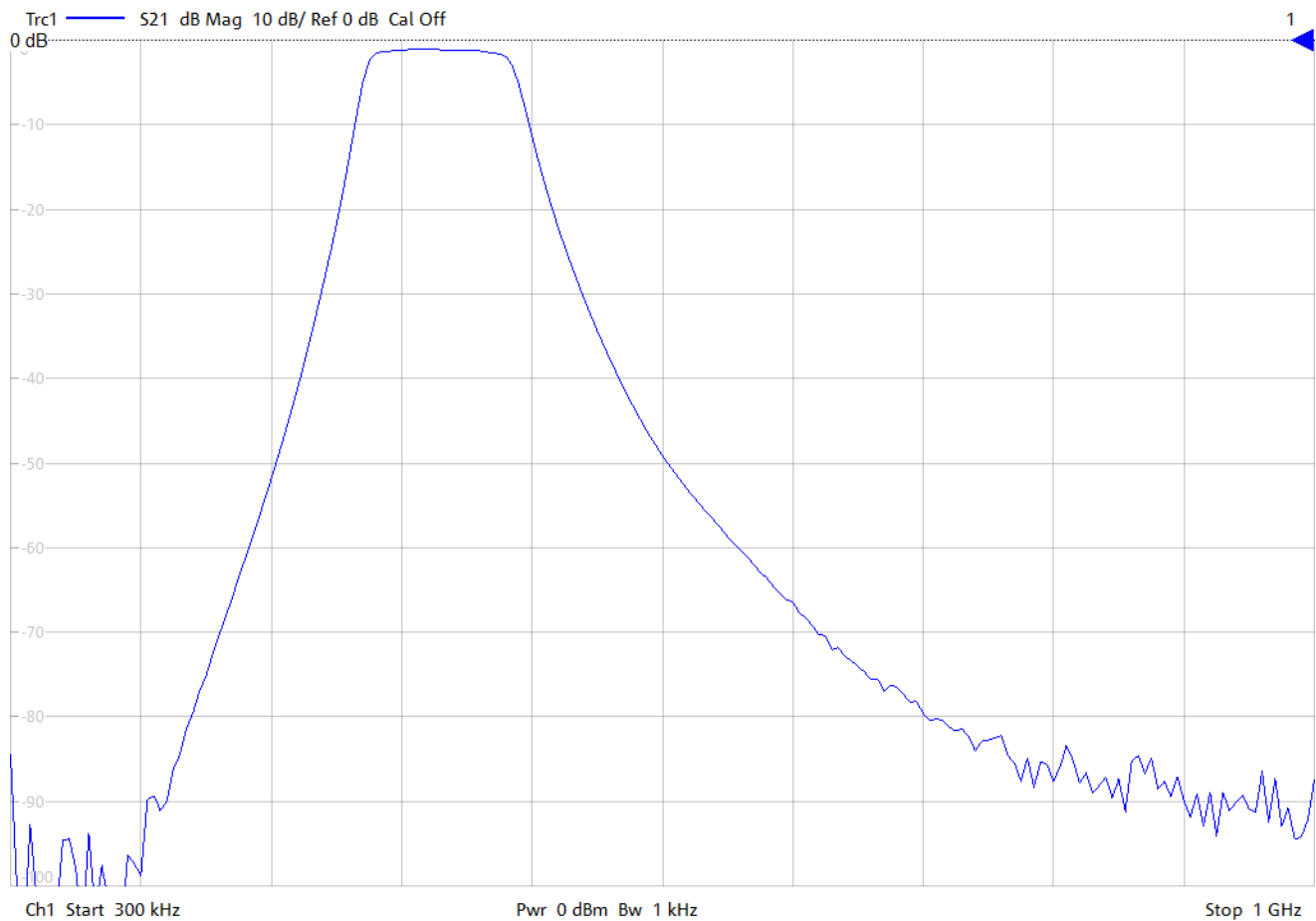
KR Electronics part number 3309-330-90+ is a 330 MHz Bandpass filter. The filter has a minimum 1 dB bandwidth of 90 MHz. Other center frequencies and bandwidths are available. Please consult the factory.

Features

- 330 MHz Bandpass Filter
- 1 dB Bandwidth 90 MHz min
- 60 dB Bandwidth 383 MHz typical
- 50 Ω Source and Load
- Other frequencies available
- Surface Mount
- Also available with SMA Connectors

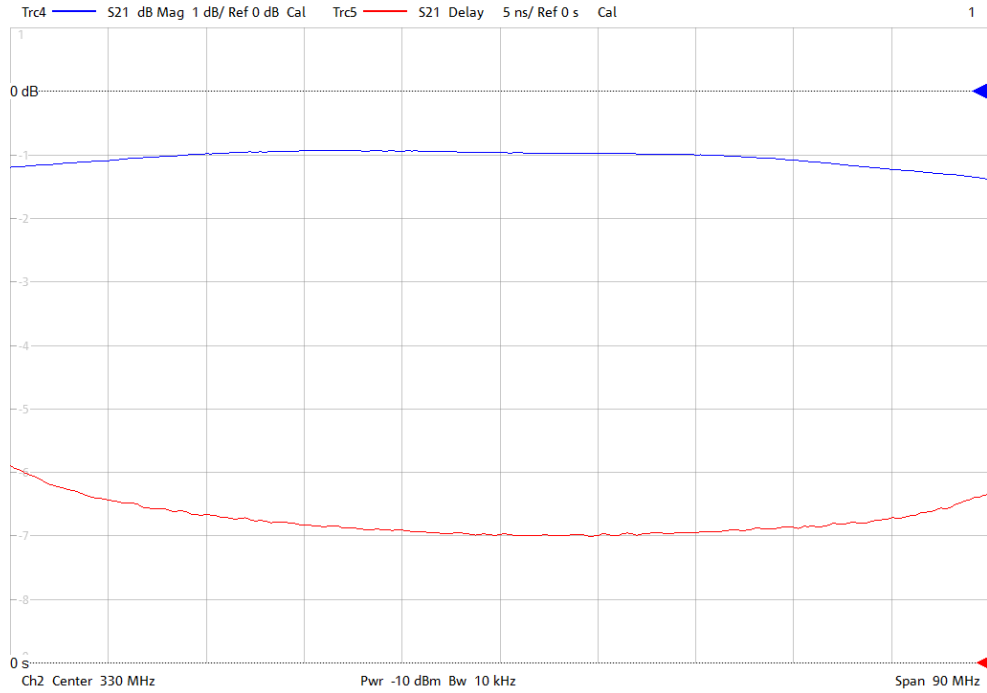
Typical Performance

Overall Response
(10 dB/div)

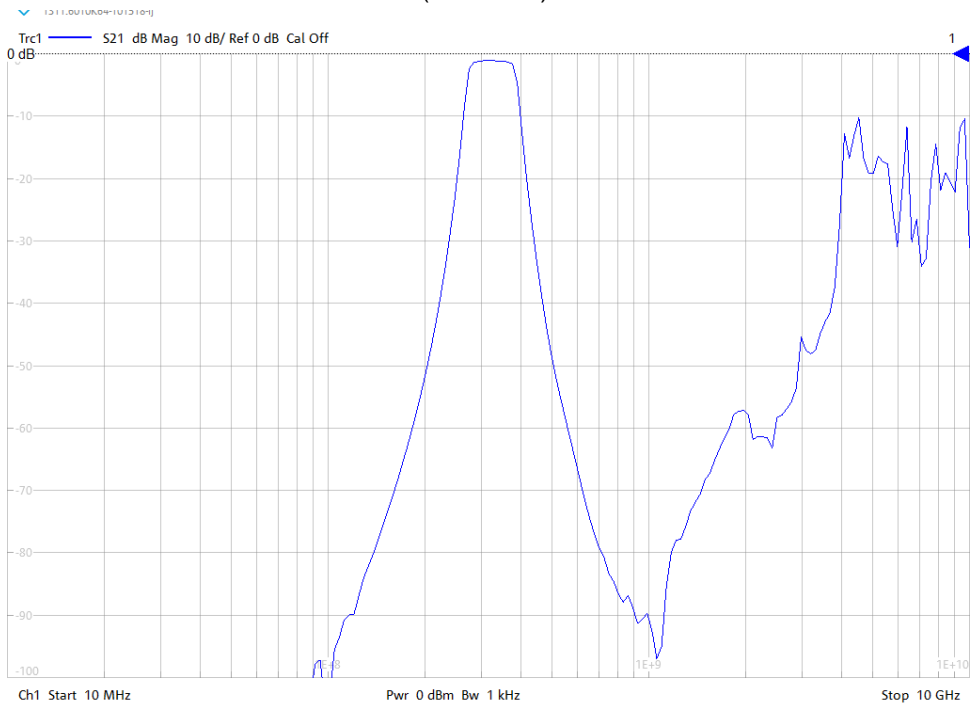


KR Electronics 3309-330-90+

Passband Amplitude & Group Delay (1 dB/div & 5 nsec/div)



Overall Response (10 dB/div)



KR Electronics, Inc.
91 Avenel Street
Avenel, NJ 07001

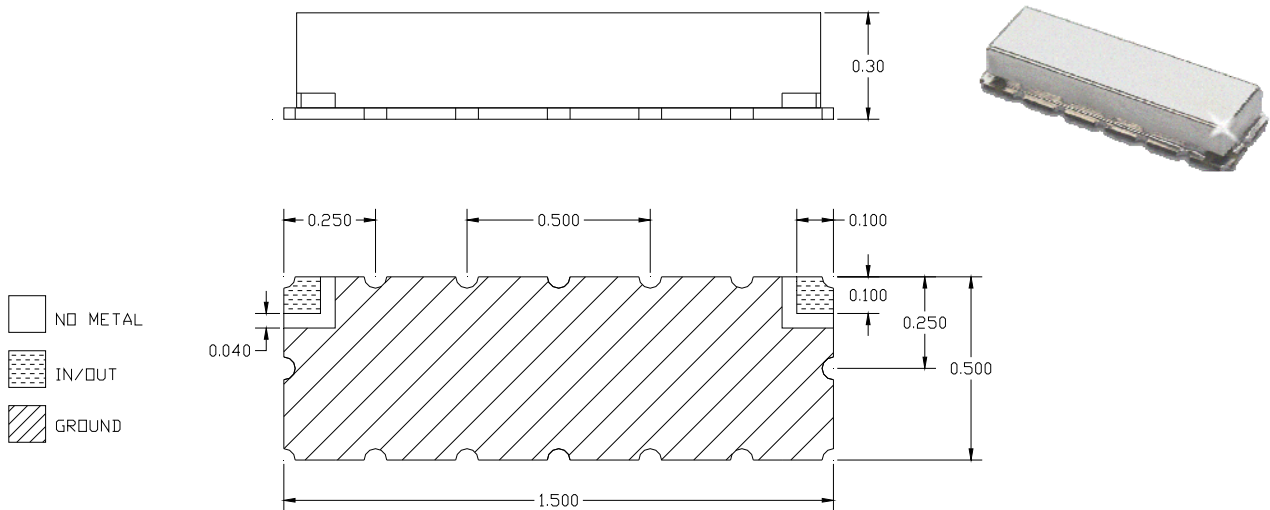
Web www.krfilters.com
Email sales@krfilters.com
Phone (732) 636-1900
Fax (732) 636-1982

KR Electronics 3309-330-90+

Specifications

Parameter	Specification	Notes
Filter type	Bandpass	
Center Frequency	330 MHz	
Insertion Loss at Fc	2 dBa max	1 dBa typical
1 dBc Bandwidth	90 MHz min	104 MHz typical
3 dBc Bandwidth	117 MHz typical	
40 dBc Bandwidth	251 MHz typical	
60 dBc Bandwidth	383 MHz typical	
Source and Load	50 Ω	

Physical Dimensions



Notes:

1. Surface mount package
2. Dimensions in inches
3. Max reflow temperature 230° C for 10 sec
4. If boards are cleaned after installation units must be completely dried

KR Electronics, Inc.
 91 Avenel Street
 Avenel, NJ 07001

Web www.krfilters.com
 Email sales@krfilters.com
 Phone (732) 636-1900
 Fax (732) 636-1982