

General Description

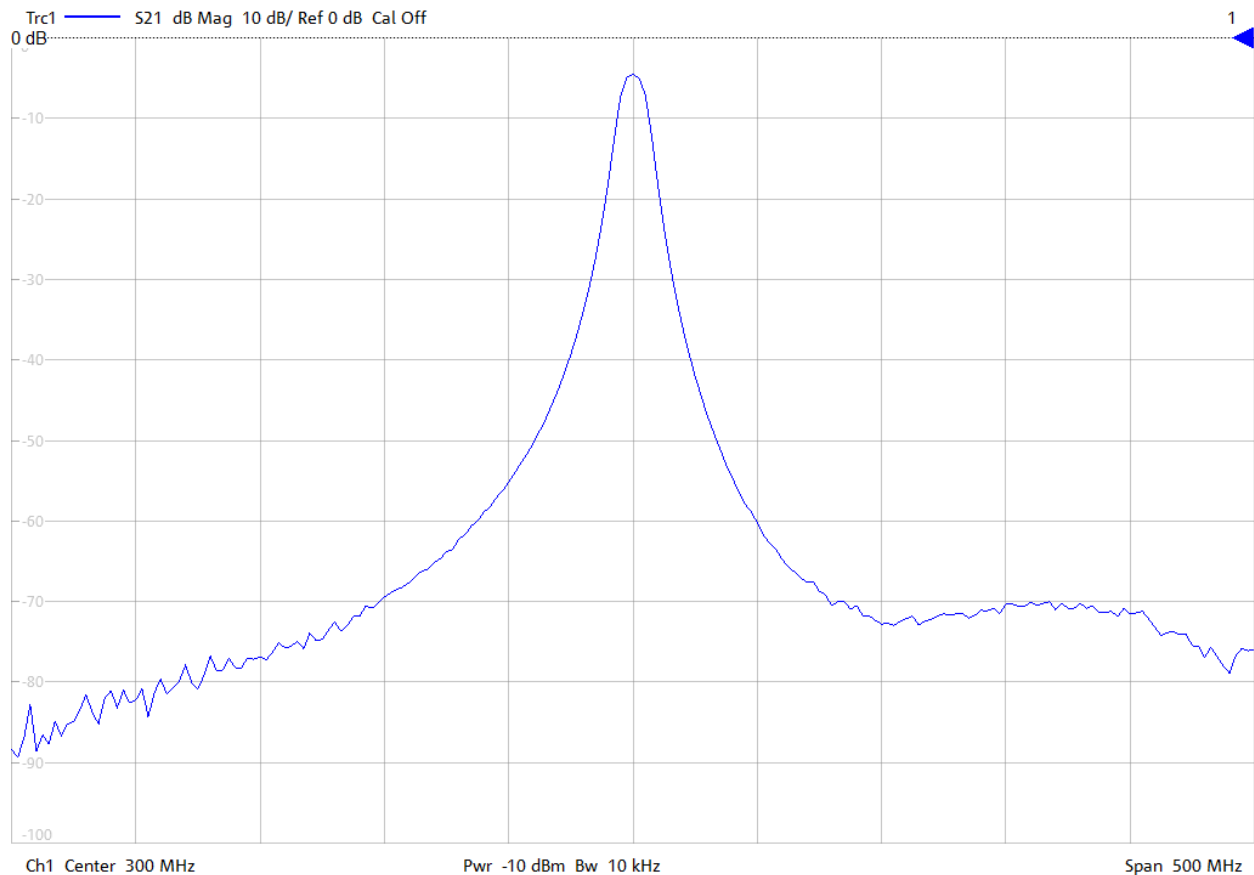
KR Electronics part number 3302 is a 300 MHz bandpass filter. The filter has a 3 dB bandwidth of 10 MHz. Other frequencies are available. Please consult the factory.

Features

- 300 MHz Bandpass Filter
- 3 dB Bandwidth 10 MHz \pm 1 MHz
- 40 dB Bandwidth 59 MHz typical
- 50 Ω Source and Load
- Surface Mount
- SMA Connectors Available

Typical Performance

Overall Response
(10 dB/div)

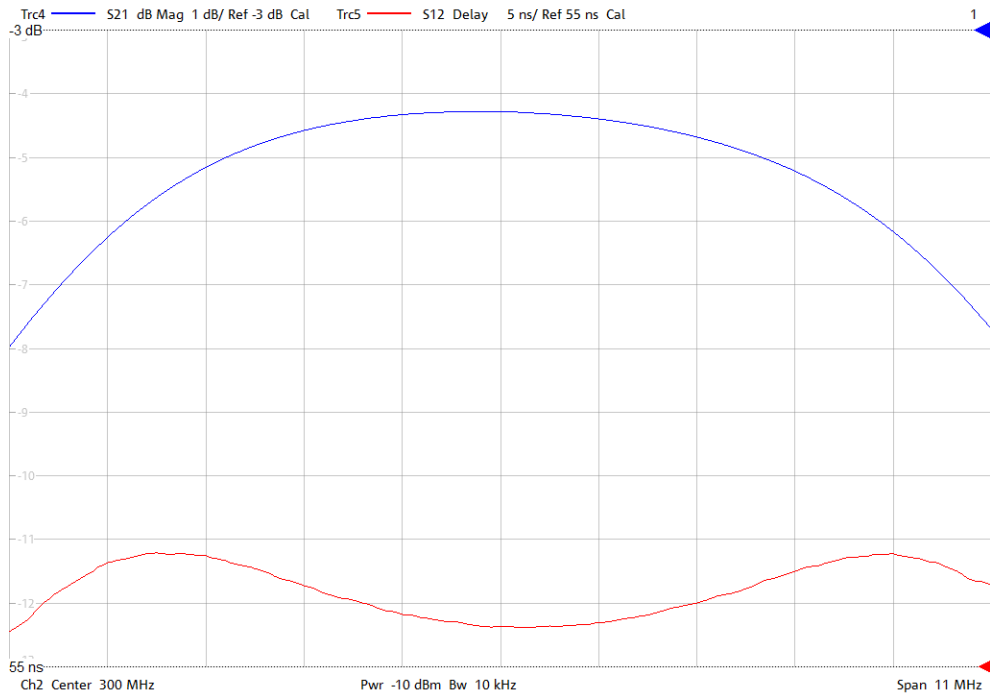


KR Electronics, Inc.
91 Avenel Street
Avenel, NJ 07001

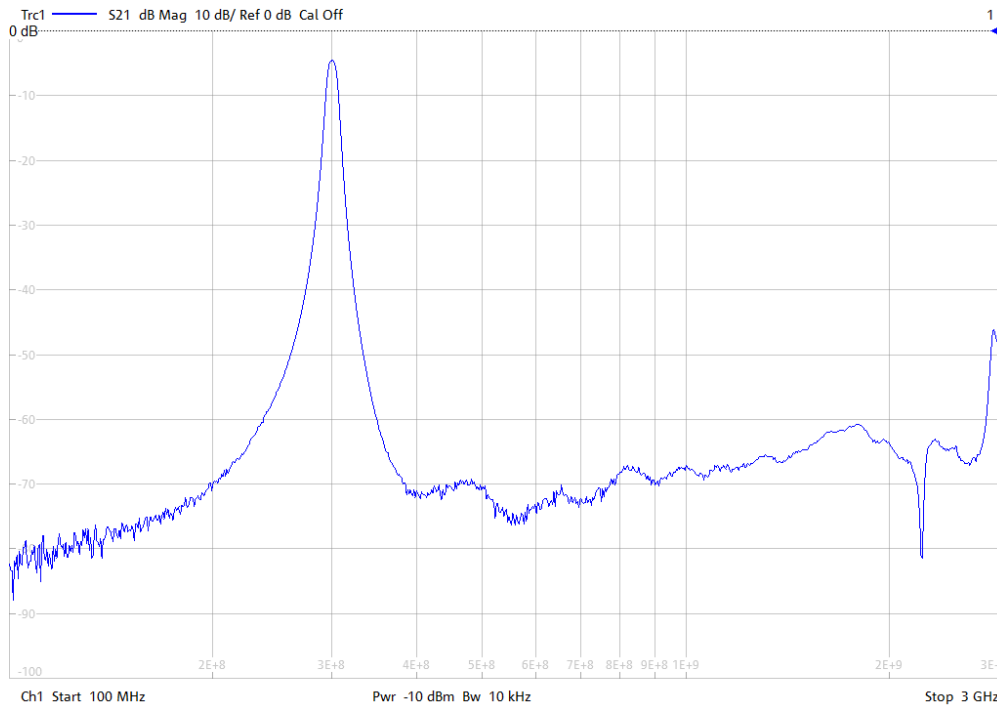
Web www.krfilters.com
Email sales@krfilters.com
Phone (732) 636-1900
Fax (732) 636-1982

KR Electronics 3302

Passband Amplitude & Group Delay (1 dB/div & 5 nsec/div)



Overall Response (10 dB/div)



KR Electronics, Inc.
91 Avenel Street
Avenel, NJ 07001

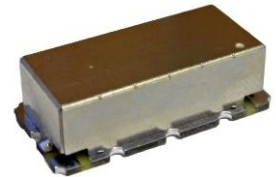
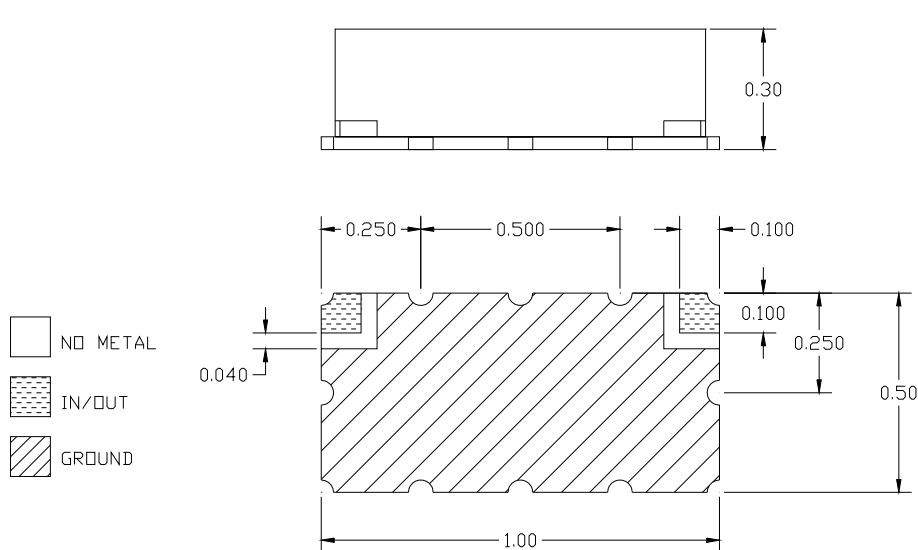
Web www.krfilters.com
Email sales@krfilters.com
Phone (732) 636-1900
Fax (732) 636-1982

KR Electronics 3302

Specifications

| Parameter | Specification | Notes |
|------------------|--------------------|-------|
| Filter type | Bandpass | |
| Center Frequency | 300 MHz | |
| Insertion Loss | 5 dBa max | |
| 1 dB Bandwidth | 6.7 MHz typical | |
| 3 dB Bandwidth | 10 MHz \pm 1 MHz | |
| 40 dB Bandwidth | 59 MHz typical | |
| 60 dB Bandwidth | 135 MHz typical | |
| Source and Load | 50 Ω | |

Physical Dimensions



Notes:

1. Surface mount package
2. Dimensions in inches
3. Max reflow temperature 230° C for 10 sec
4. If boards are cleaned after installation units must be completely dried