

## General Description

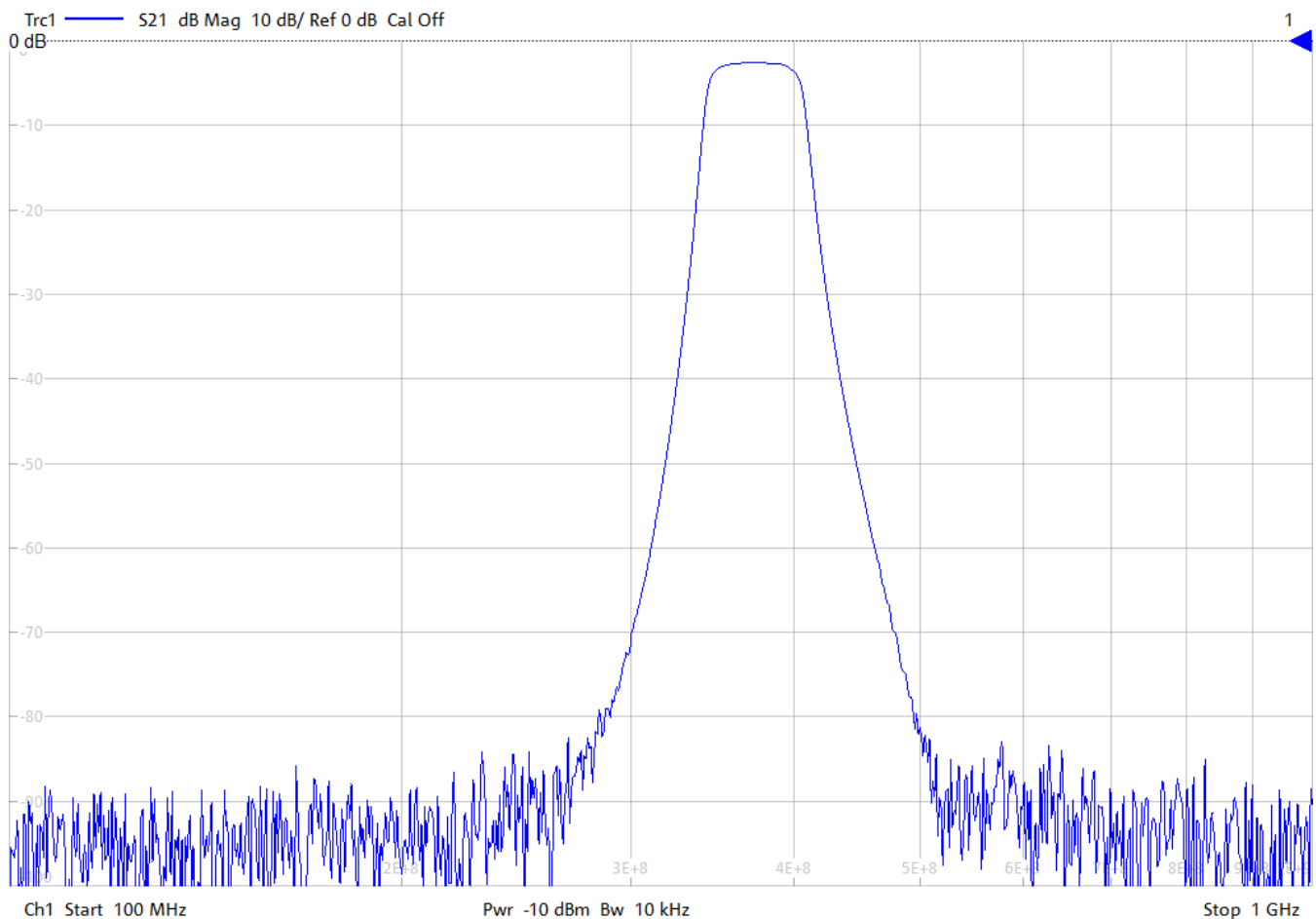
KR Electronics part number 3301-50 is a 375 MHz Bandpass filter. The filter has a 1 dB bandwidth of 50 MHz. Other center frequencies and bandwidths are available. Please consult the factory.

## Features

- 375 MHz Bandpass Filter
- 1 dB Bandwidth 50 MHz
- 40 dB Bandwidth 113 MHz typical
- 50  $\Omega$  Source and Load
- Other frequencies available
- Also available with SMA Connectors

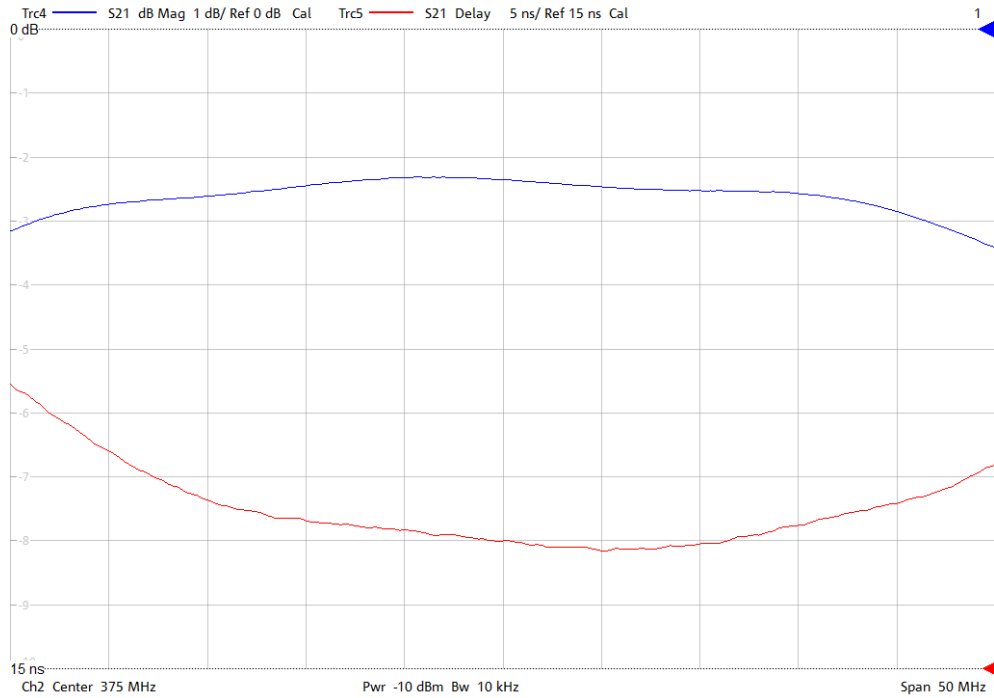
## Typical Performance

Overall Response  
(10 dB/div)

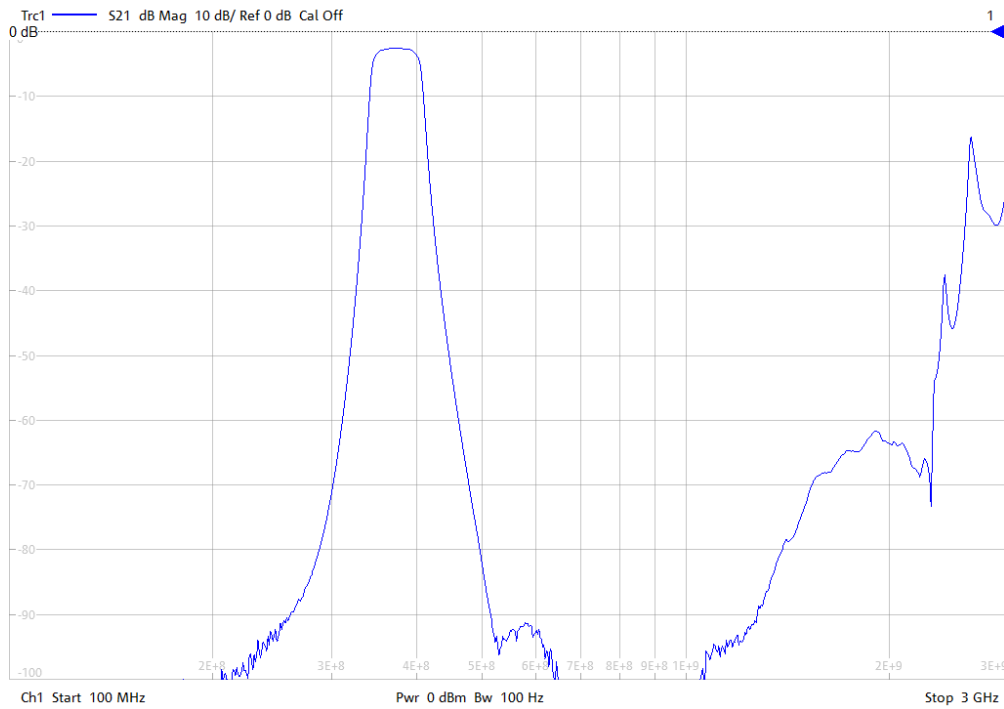


# KR Electronics 3301-50

## Passband Amplitude & Group Delay (1 dB/div & 5 nsec/div)



## Overall Response (10 dB/div)



KR Electronics, Inc.  
91 Avenel Street  
Avenel, NJ 07001

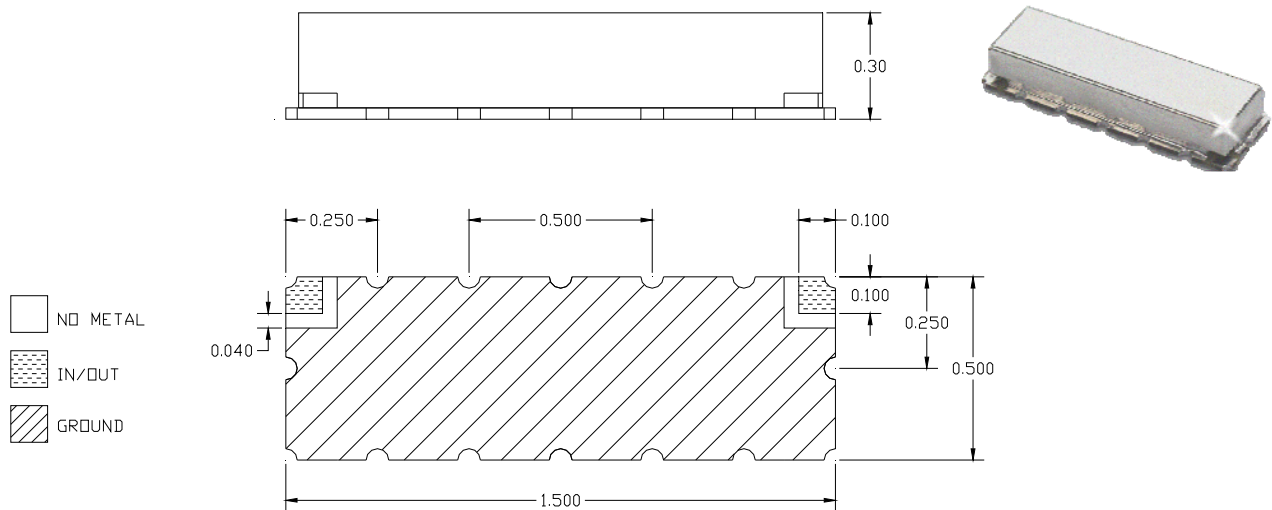
Web [www.krfilters.com](http://www.krfilters.com)  
Email [sales@krfilters.com](mailto:sales@krfilters.com)  
Phone (732) 636-1900

# KR Electronics 3301-50

## Specifications

Parameter	Specification	Notes
Filter type	Bandpass	
Center Frequency	375 MHz	
Insertion Loss at Fc	4 dBa max	2.4 dBa typical
1 dBc Bandwidth	50 MHz $\pm$ 5 MHz	
3 dBc Bandwidth	61 MHz typical	
40 dBc Bandwidth	113 MHz typical	
60 dBc Bandwidth	156 MHz typical	
Source and Load	50 $\Omega$	

## Physical Dimensions



### Notes:

1. Surface mount package
2. Dimensions in inches
3. Max reflow temperature 230° C for 10 sec
4. If boards are cleaned after installation units must be completely dried