

KR Electronics, Inc.

General Description

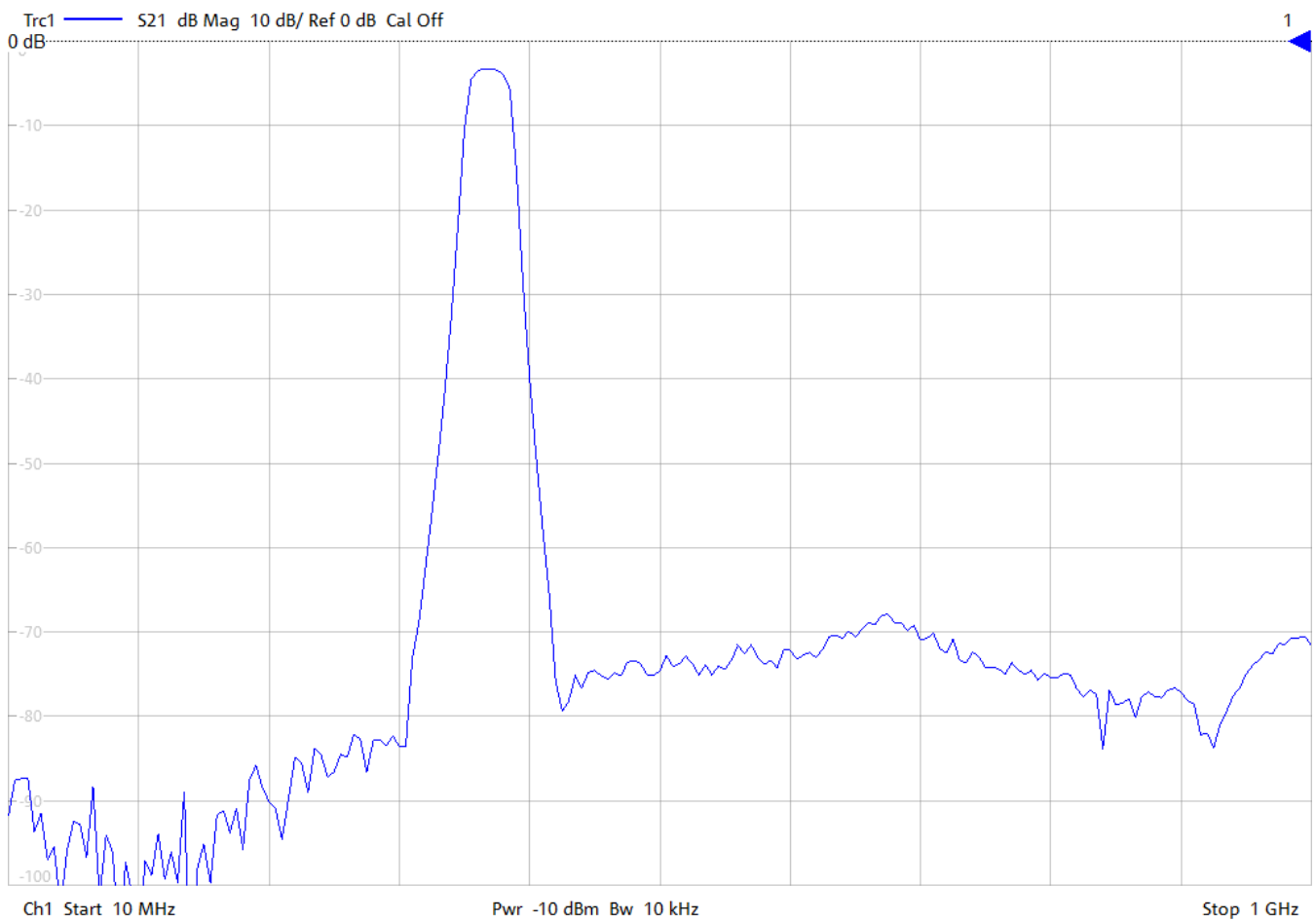
KR Electronics part number 3301-25 is a 375 MHz Bandpass filter. The filter has a 1 dB bandwidth of 25 MHz. Other center frequencies and bandwidths are available. Please consult the factory.

Features

- 375 MHz Bandpass Filter
- 1 dB Bandwidth 25 MHz
- 40 dB Bandwidth 67 MHz typical
- 50 Ω Source and Load
- Other frequencies available
- Also available with SMA Connectors

Typical Performance

Overall Response
(10 dB/div)

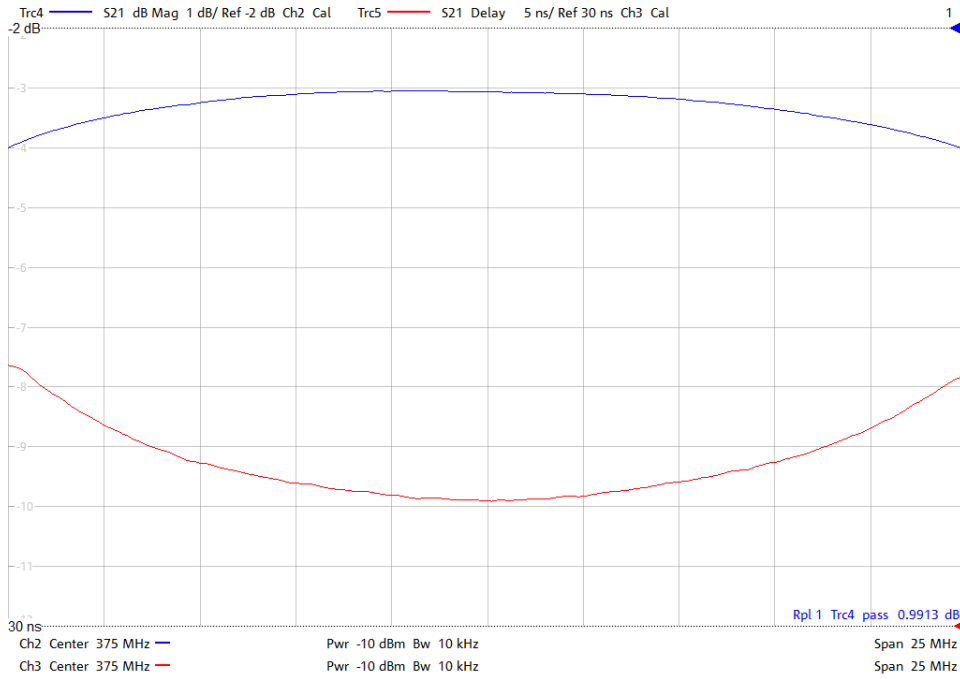


KR Electronics, Inc.
91 Avenel Street

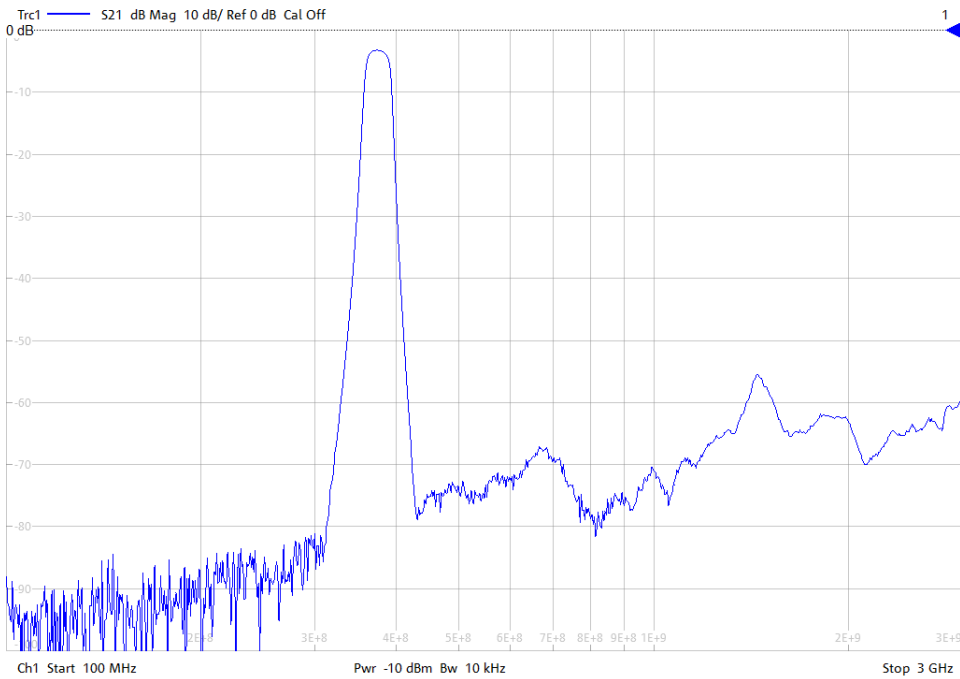
Web www.krfilters.com
Email sales@krfilters.com

KR Electronics 3301-25

Passband Amplitude & Group Delay (1 dB/div & 5 nsec/div)



Overall Response (10 dB/div)



KR Electronics, Inc.
91 Avenel Street
Avenel, NJ 07001

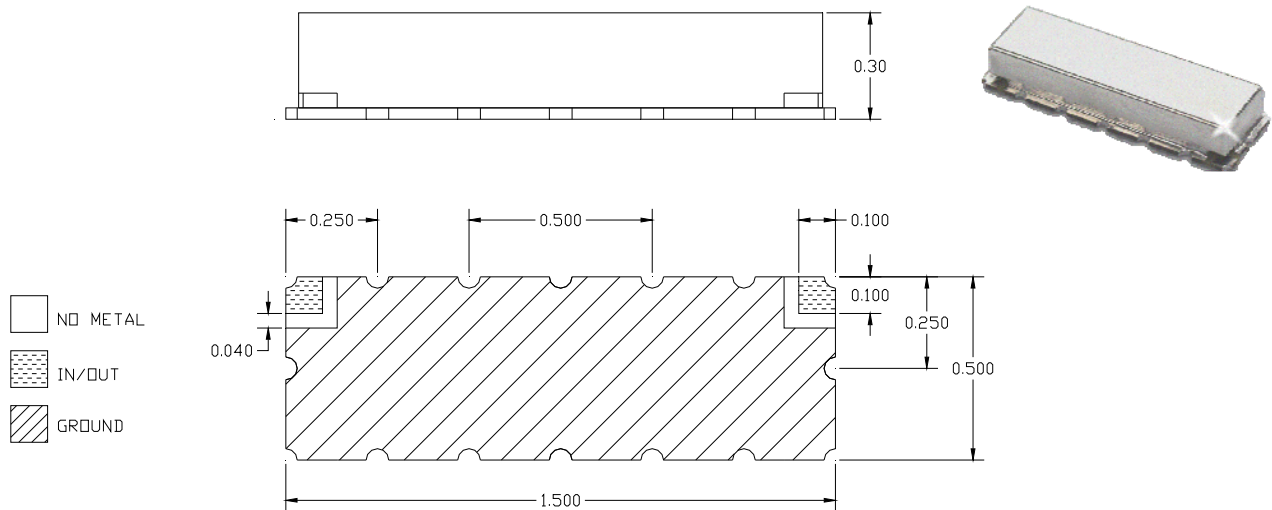
Web www.krfilters.com
Email sales@krfilters.com
Phone (732) 636-1900
Fax (732) 636-1982

KR Electronics 3301-25

Specifications

Parameter	Specification	Notes
Filter type	Bandpass	
Center Frequency	375 MHz	
Insertion Loss at Fc	5.6 dBa max	3 dBa typical
1 dBc Bandwidth	25 MHz \pm 2.5 MHz	
3 dBc Bandwidth	32 MHz typical	
40 dBc Bandwidth	67 MHz typical	
60 dBc Bandwidth	93 MHz typical	
Source and Load	50 Ω	

Physical Dimensions



Notes:

1. Surface mount package
2. Dimensions in inches
3. Max reflow temperature 230° C for 10 sec
4. If boards are cleaned after installation units must be completely dried