

KR Electronics, Inc.

General Description

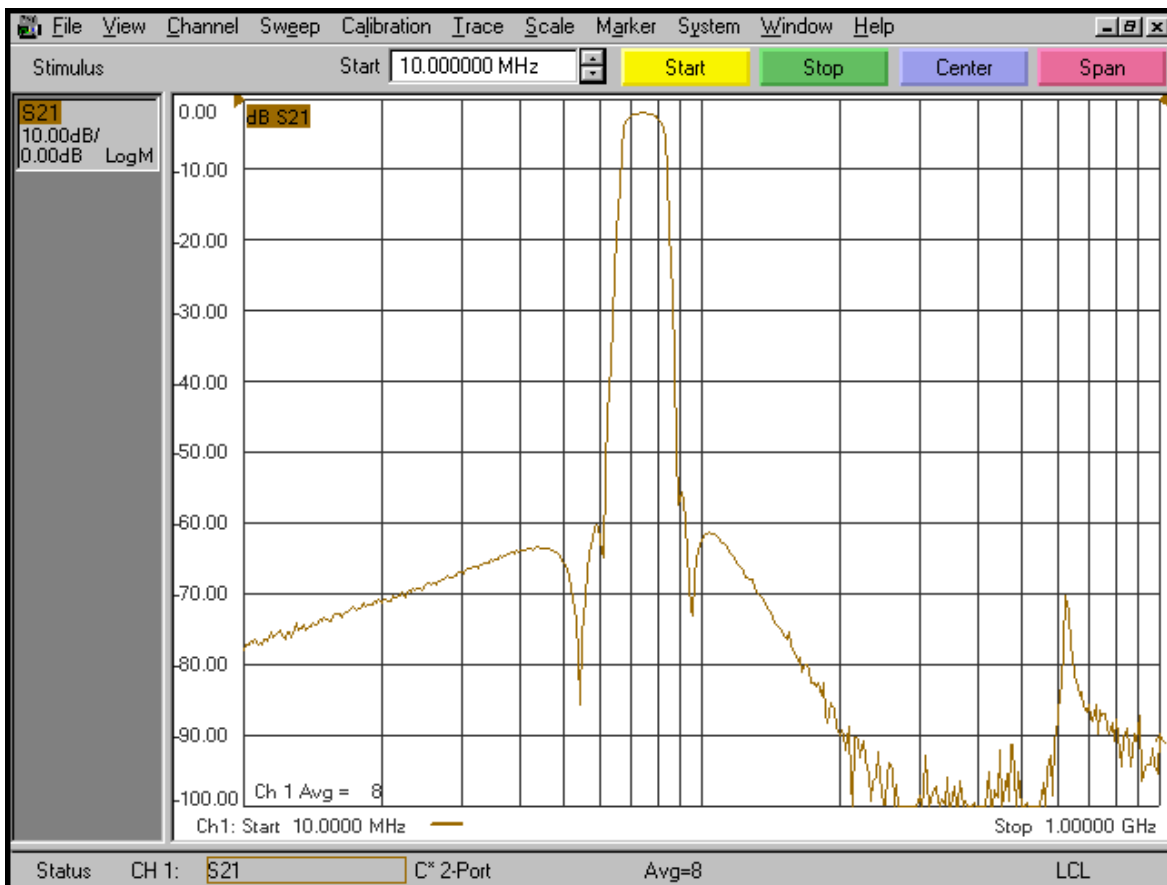
KR Electronics part number 3297-SMA is a 75 MHz bandpass filter. The filter has a minimum 1 dB bandwidth of 10 MHz. Other center frequencies and bandwidths are available. Please consult the factory.

Features

- 75 MHz Bandpass Filter
- 10 MHz min 1 dB Bandwidth
- Selective Elliptic Typed Design
- 50 Ω Source and Load
- SMA Connectors
- Surface Mount also available

Typical Performance

Overall Response (10 dB/div)

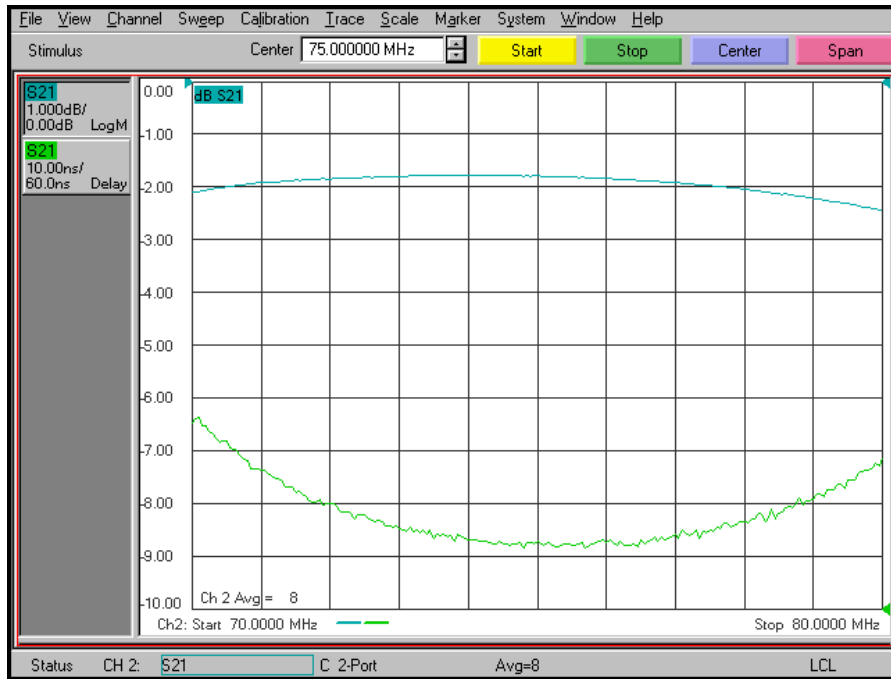


KR Electronics, Inc.
91 Avenel Street
Avenel, NJ 07001

Web www.krfilters.com
Email sales@krfilters.com
Phone (732) 636-1900
Fax (732) 636-1982

KR Electronics 3297-SMA

Passband Amplitude & Group Delay (1 dB/div & 10 nsec/div)



Overall Response (10 dB/div)



KR Electronics, Inc.
91 Avenel Street
Avenel, NJ 07001

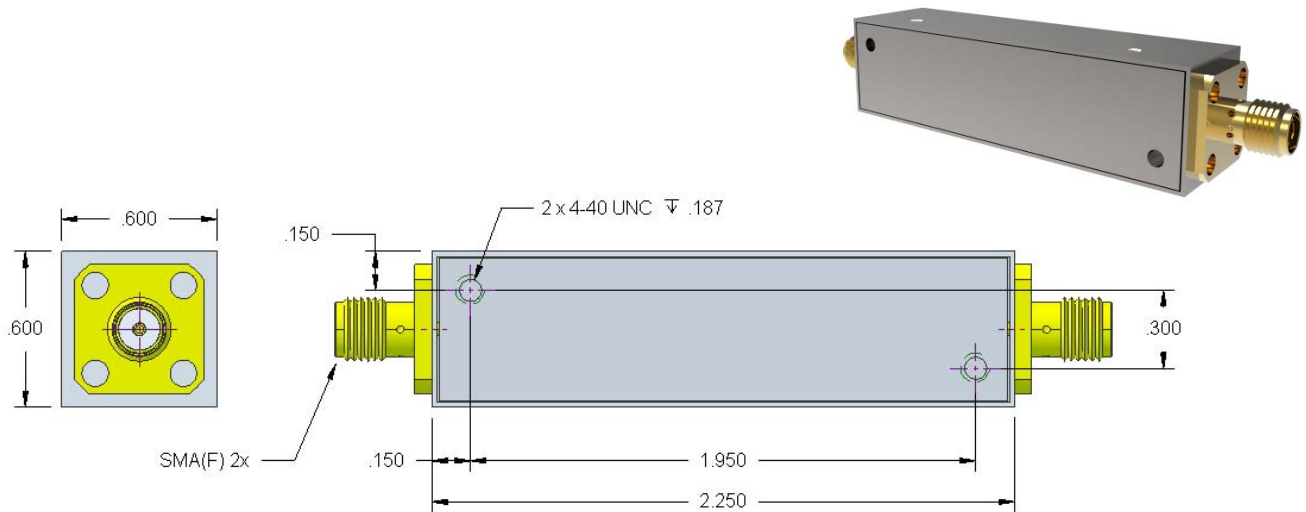
Web www.krfilters.com
Email sales@krfilters.com
Phone (732) 636-1900
Fax (732) 636-1982

KR Electronics 3297-SMA

Specifications

Parameter	Specification	
Filter type	Bandpass	
Center Frequency	75 MHz	
Insertion Loss	3 dBa max	2 dBa typical
1 dBc Bandwidth	10 MHz min	12 MHz typical
50 dBc Bandwidth	30 MHz max	27 MHz typical
Source and Load	50 Ω	

Physical Dimensions



Notes:

1. Dimensions in inches
2. Rectangular case
3. Also available in a surface mount package

KR Electronics, Inc.
 91 Avenel Street
 Avenel, NJ 07001

Web www.krfilters.com
 Email sales@krfilters.com
 Phone (732) 636-1900
 Fax (732) 636-1982