

General Description

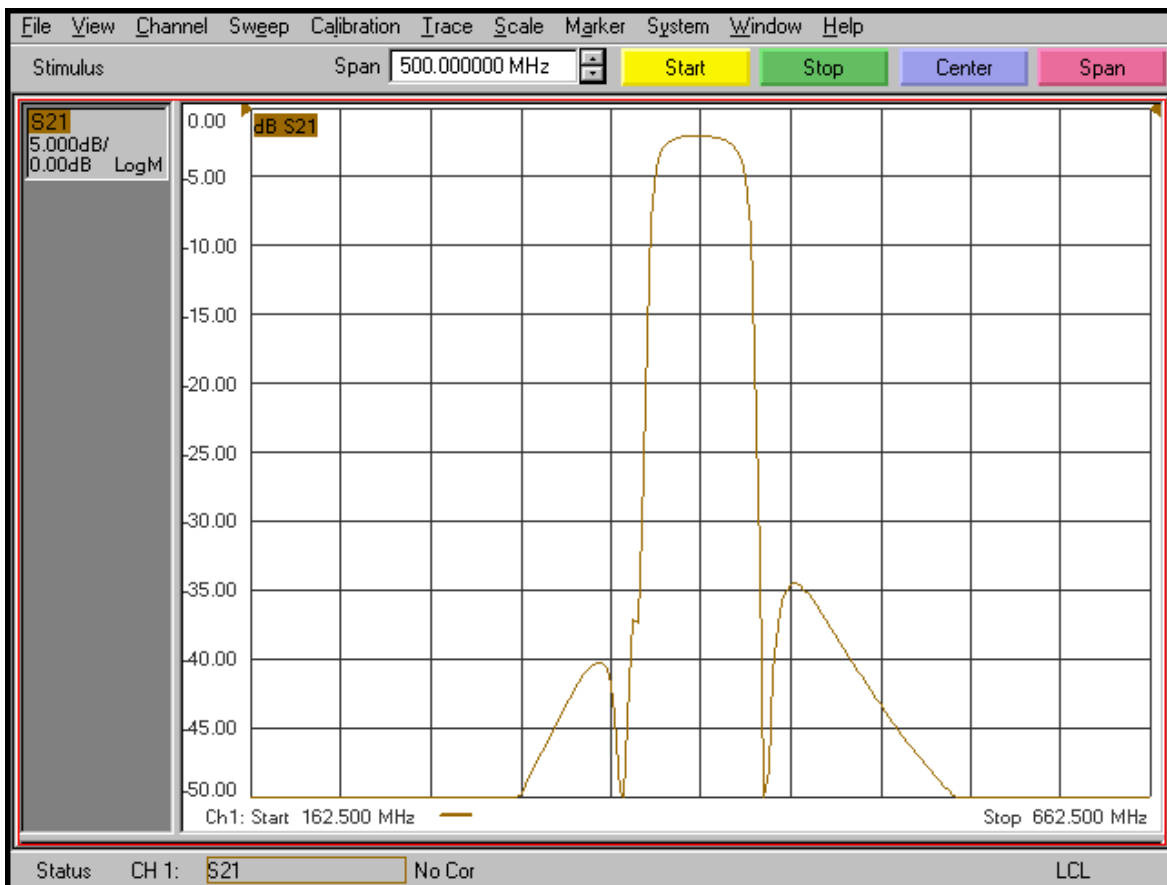
KR Electronics part number 3292-SMA is a 412.5 MHz bandpass filter. The filter has a minimum 3 dB bandwidth of 45 MHz. Other center frequencies and bandwidths are available. Please consult the factory.

Features

- 412.5 MHz Bandpass Filter
- 45 MHz min 3 dB Bandwidth
- Selective Elliptic Typed Design
- 50 Ω Source and Load
- SMA Connectors

Typical Performance

Overall Response (5 dB/div)

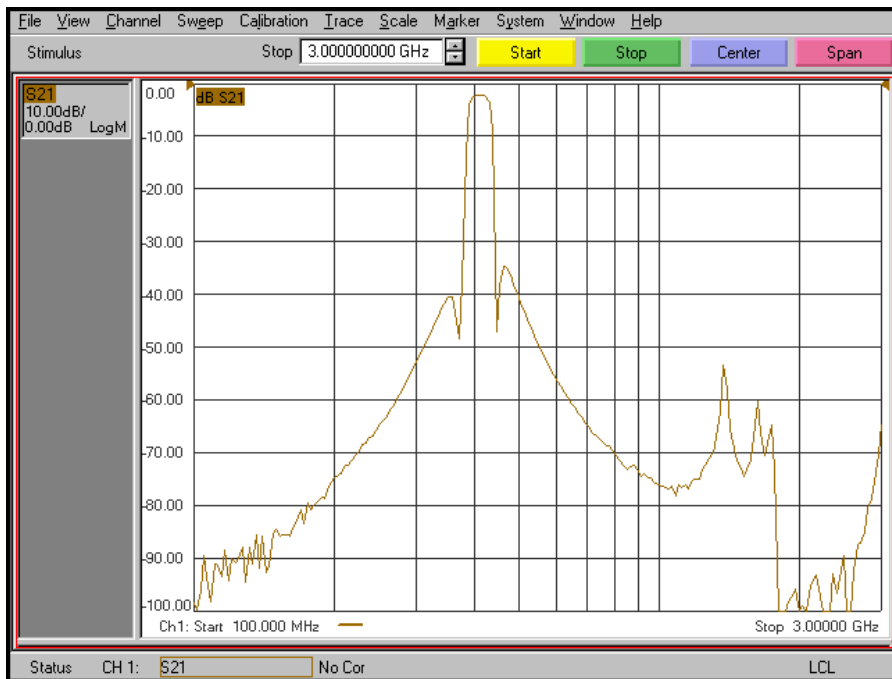


KR Electronics 3292-SMA

Passband Amplitude & Group Delay (1 dB/div & 10 nsec/div)



Overall Response (10 dB/div)



KR Electronics, Inc.
91 Avenel Street
Avenel, NJ 07001

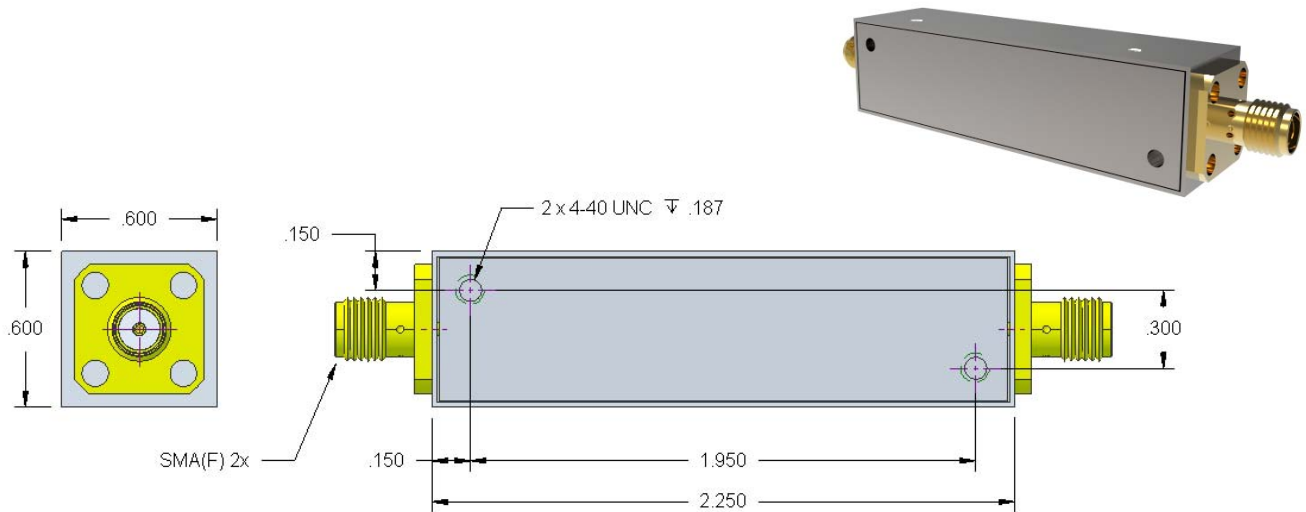
Web www.krfilters.com
Email sales@krfilters.com
Phone (732) 636-1900
Fax (732) 636-1982

KR Electronics 3292-SMA

Specifications

Parameter	Specification
Filter type	Bandpass
Center Frequency	412.5 MHz
Insertion Loss	2 dB max
3 dB Bandwidth	45 MHz min
25 dB Bandwidth	65 MHz max
Source and Load	50 Ω

Physical Dimensions



Notes:

1. Dimensions in inches
2. Rectangular case

KR Electronics, Inc.
91 Avenel Street
Avenel, NJ 07001

Web www.krfilters.com
Email sales@krfilters.com
Phone (732) 636-1900
Fax (732) 636-1982