

KR Electronics, Inc.

General Description

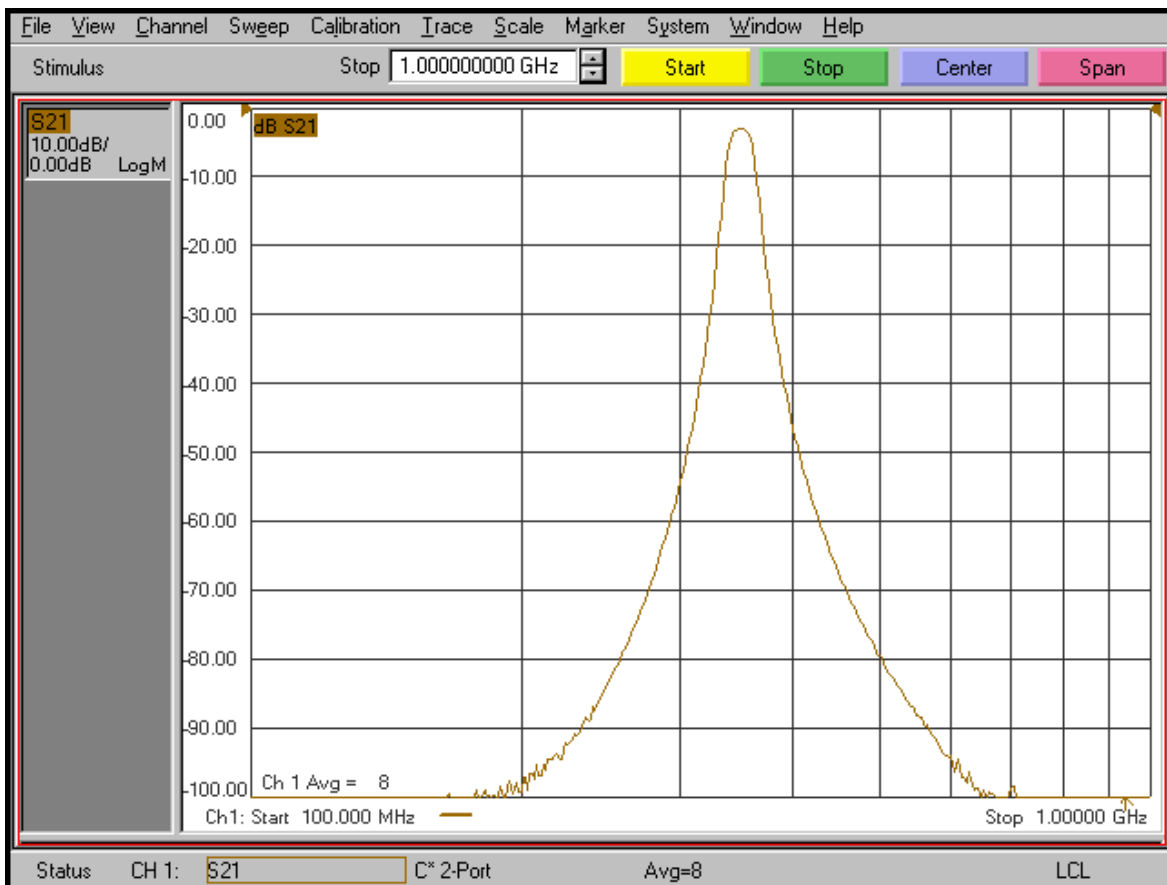
KR Electronics part number 3288-SMA is a 350 MHz bandpass filter. The filter has a minimum 3 dB bandwidth of 10 MHz. Other center frequencies and bandwidths are available. Please consult the factory.

Features

- 350 MHz Bandpass Filter
- 10 MHz min 3 dB Bandwidth
- High Stopband Loss
- 50 Ω Source and Load
- SMA Connectors

Typical Performance

Overall Response (10 dB/div)

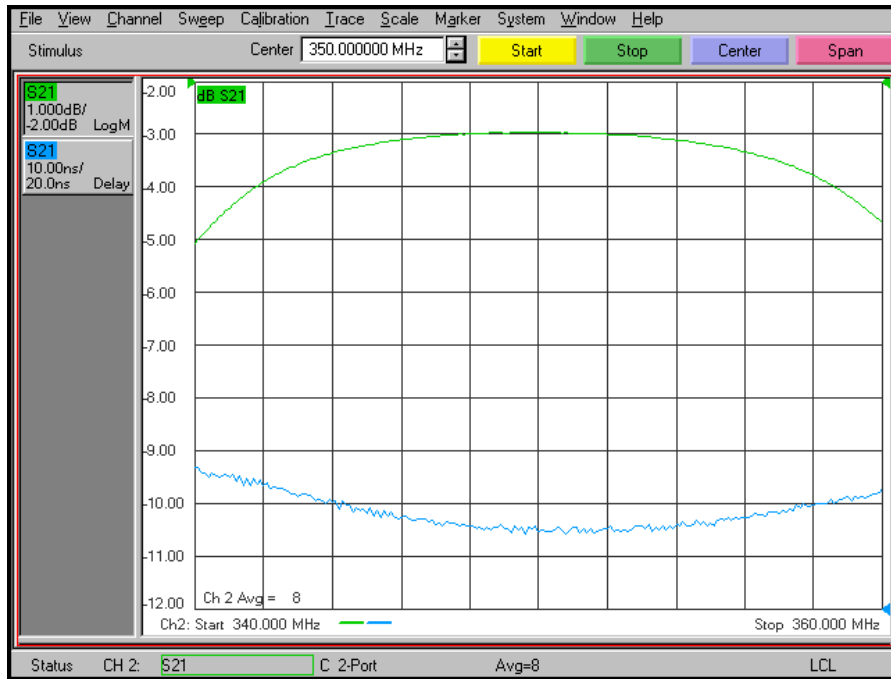


KR Electronics, Inc.
91 Avenel Street
Avenel, NJ 07001

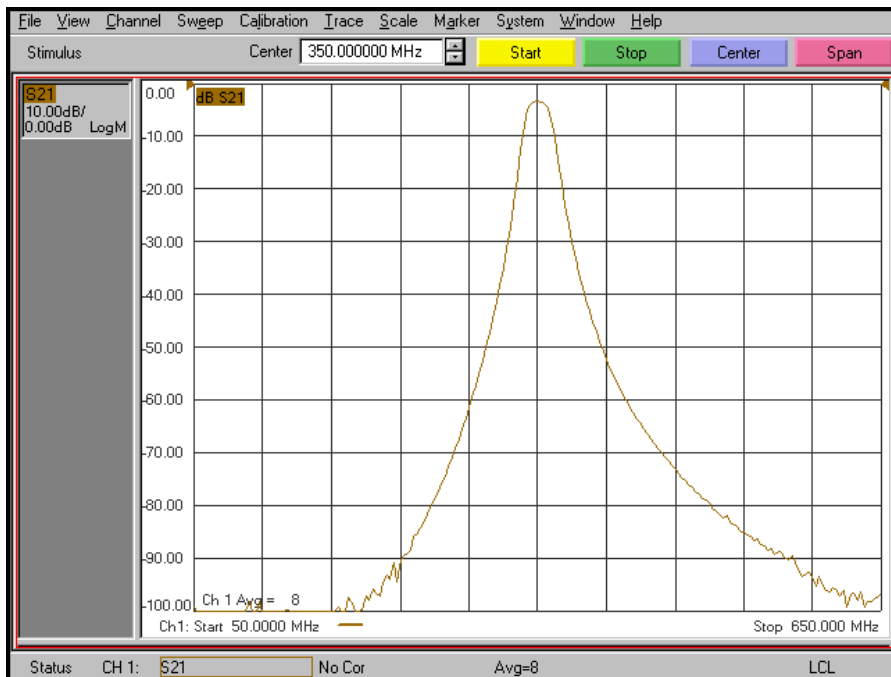
Web www.krfilters.com
Email sales@krfilters.com
Phone (732) 636-1900
Fax (732) 636-1982

KR Electronics 3288-SMA

Passband Amplitude & Group Delay (1 dB/div & 10 nsec/div)



Overall Response (10 dB/div)



KR Electronics, Inc.
91 Avenel Street
Avenel, NJ 07001

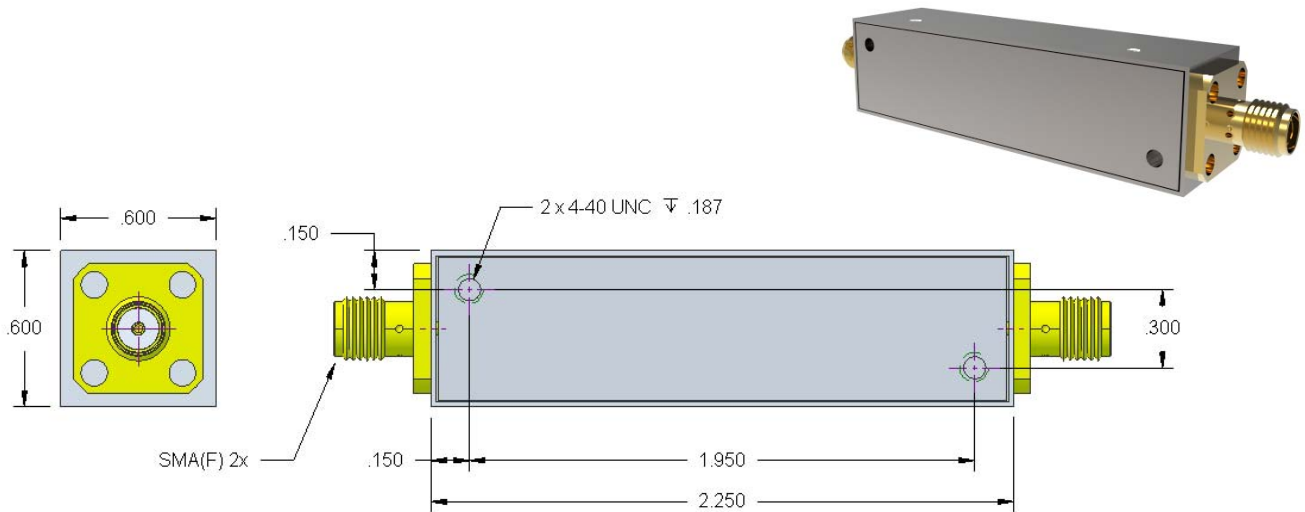
Web www.krfilters.com
Email sales@krfilters.com
Phone (732) 636-1900
Fax (732) 636-1982

KR Electronics 3288-SMA

Specifications

Parameter	Specification	
Filter type	Bandpass	
Center Frequency	350 MHz	
Insertion Loss	3.5 dB max	3 dB typical
1 dB Bandwidth	17 MHz typical	
3 dB Bandwidth	10 MHz min	22 MHz typical
Rejection at 240MHz & below	80 dB min	
Rejection at 450 MHz	60 dB min	
Source and Load	50 Ω	

Physical Dimensions



Notes:

1. Dimensions in inches
2. Rectangular case

KR Electronics, Inc.
91 Avenel Street
Avenel, NJ 07001

Web www.krfilters.com
Email sales@krfilters.com
Phone (732) 636-1900
Fax (732) 636-1982