

KR Electronics, Inc.

General Description

KR Electronics part number 3284 is a 435 MHz Bandpass filter. The filter has a min 3 dB bandwidth of 70 MHz. Other center frequencies and bandwidths are available. Please consult the factory.

Features

- 435 MHz Bandpass Filter
- 3 dB Bandwidth 70 MHz min
- 45 dB Bandwidth 150 MHz max
- Selective Elliptic Type Design
- 50 Ω Source and Load
- Other frequencies available
- Also available with SMA Connectors

Typical Performance

Overall Response (10 dB/div)



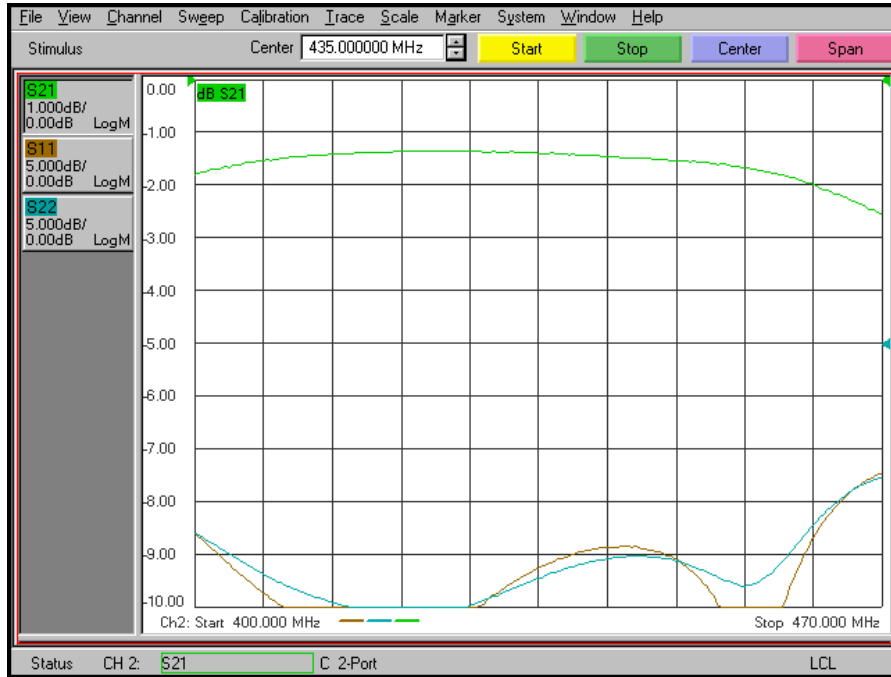
KR Electronics, Inc.
91 Avenel Street
Avenel, NJ 07001

Web www.krfilters.com
Email sales@krfilters.com
Phone (732) 636-1900
Fax (732) 636-1982

KR Electronics 3284

Passband Amplitude & Return Loss

(1 dB/div & 5 dB/div)



Overall Response

(10 dB/div)



KR Electronics, Inc.
91 Avenel Street
Avenel, NJ 07001

Web
Email
Phone
Fax

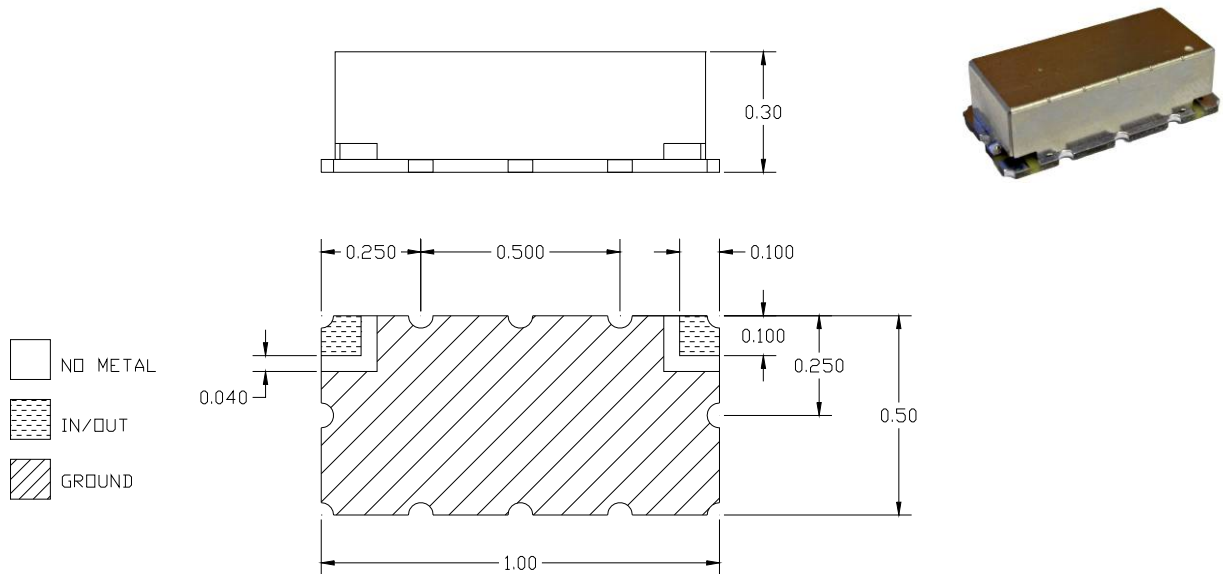
www.krfilters.com
sales@krfilters.com
(732) 636-1900
(732) 636-1982

KR Electronics 3284

Specifications

Parameter	Specification	Notes
Filter type	Bandpass	
Center Frequency	435 MHz	
Insertion Loss at Fc	2.5 dBa max	1.5 dBa typical
3 dBc Bandwidth	70 MHz min	90 MHz typical
Rejection below 360 MHz	45 dB min	
Rejection 510 MHz to 2000 MHz	45 dB min	
Source and Load	50 Ω	

Physical Dimensions



Notes:

1. Surface mount package
2. Dimensions in inches
3. Max reflow temperature 230° C for 10 sec