

# KR Electronics, Inc.

## General Description

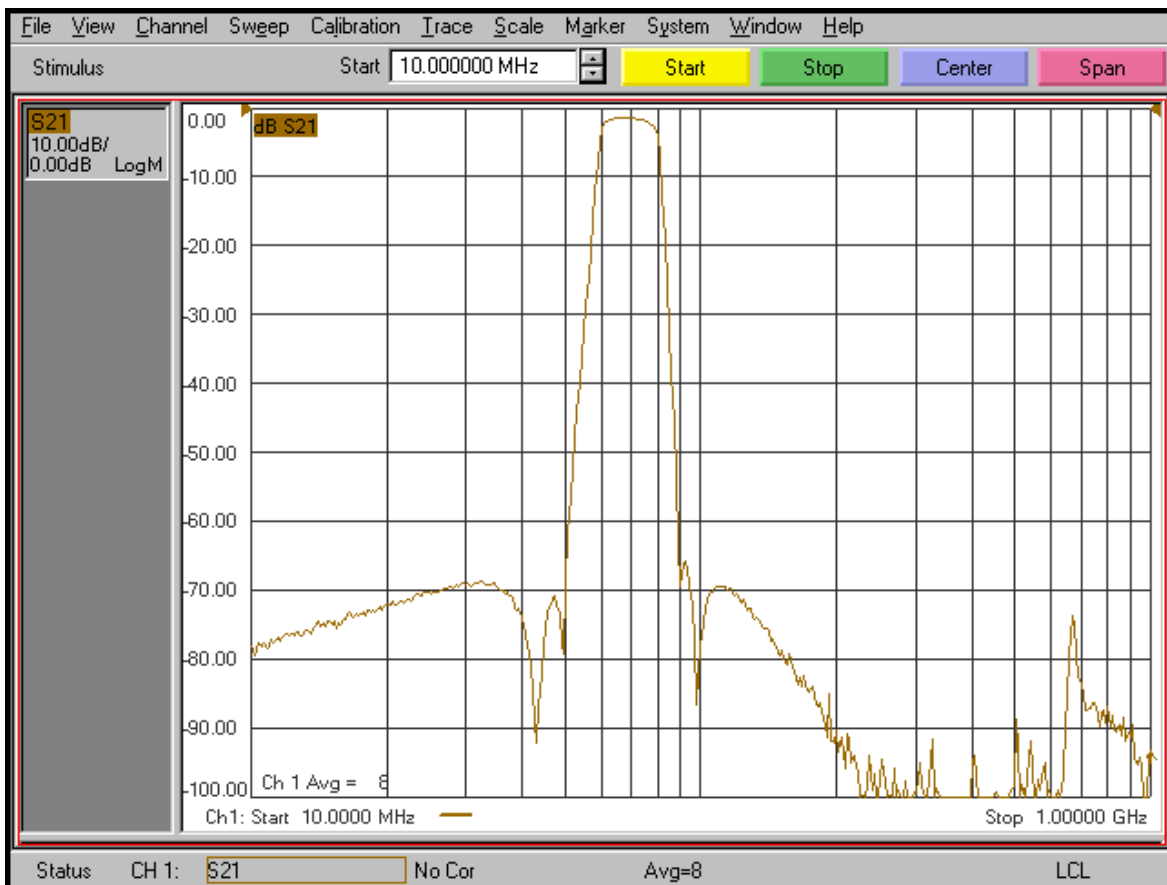
KR Electronics part number 3277-SMA is a 70 MHz bandpass filter. The filter has a 3 dB bandwidth of 20 MHz and maximum 60 dB bandwidth of 40 MHz. Other center frequencies and bandwidths are available. Please consult the factory.

### Features

- 70 MHz Bandpass Filter
- 20 MHz 3 dB Bandwidth
- Sharp Elliptic Type Design
- 50  $\Omega$  Source and Load
- SMA Connectors
- Also available as surface mount

## Typical Performance

### Overall Response (10 dB/div)

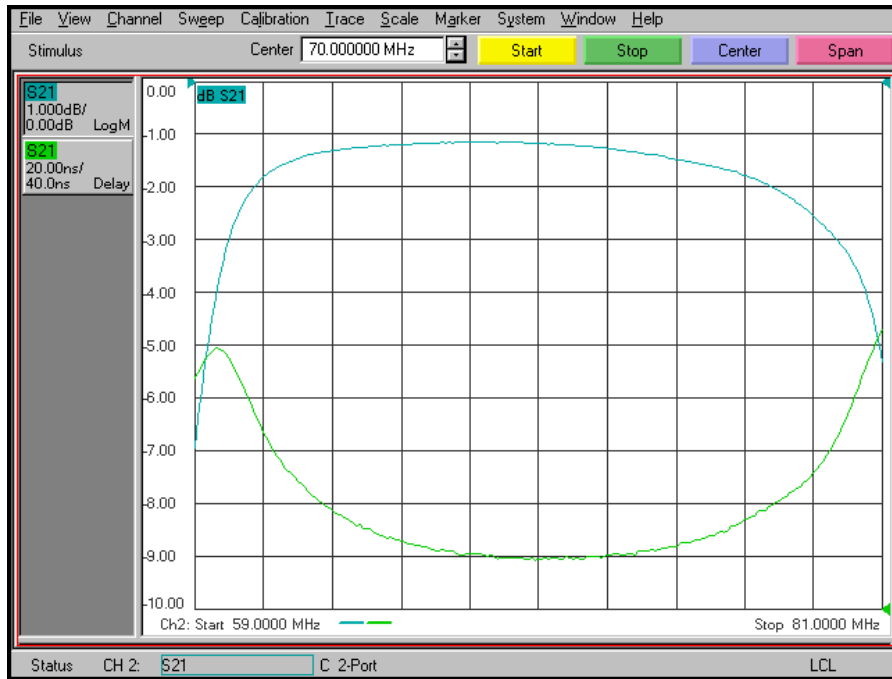


KR Electronics, Inc.  
91 Avenel Street  
Avenel, NJ 07001

Web [www.krfilters.com](http://www.krfilters.com)  
Email [sales@krfilters.com](mailto:sales@krfilters.com)  
Phone (732) 636-1900  
Fax (732) 636-1982

# KR Electronics 3277-SMA

## Passband Amplitude & Group Delay (1 dB/div & 20 nsec/div)



## Overall Response (10 dB/div)



KR Electronics, Inc.  
91 Avenel Street  
Avenel, NJ 07001

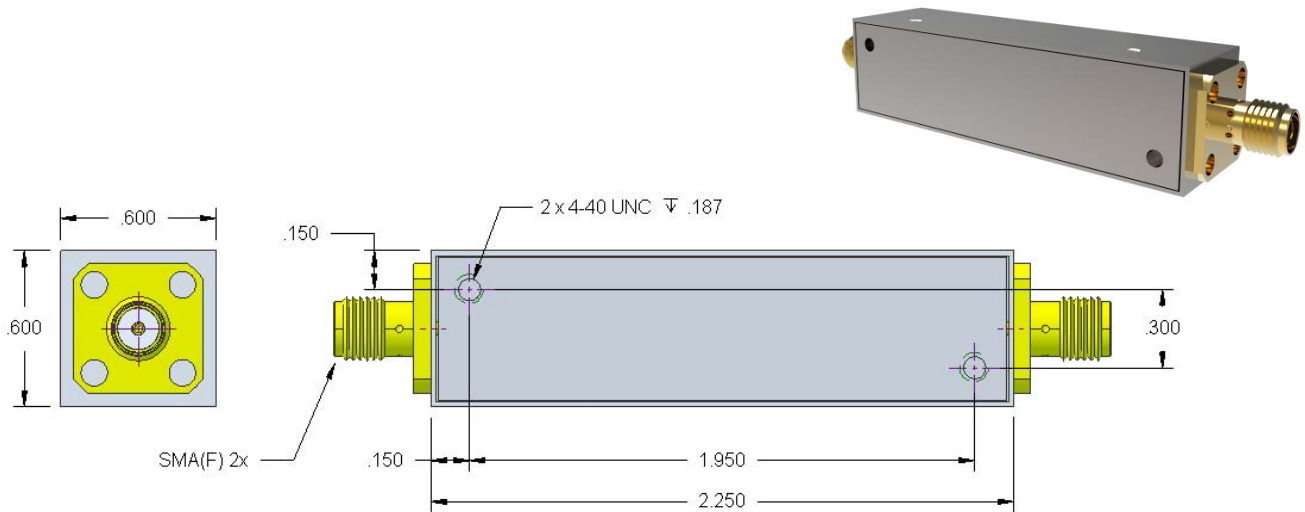
Web [www.krfilters.com](http://www.krfilters.com)  
Email [sales@krfilters.com](mailto:sales@krfilters.com)  
Phone (732) 636-1900  
Fax (732) 636-1982

# KR Electronics 3277-SMA

## Specifications

Parameter	Specification	
Filter type	Bandpass	
Center Frequency	70 MHz	
Insertion Loss	2.5 dB max	1.2 dB typical
1 dB Bandwidth	17 MHz typical	
3 dB Bandwidth	20 MHz $\pm$ 2 MHz	
Rejection at 50 MHz & below	60 dB min	
Rejection at 90 MHz to 1 GHz	60 dB min	
Source and Load	50 $\Omega$	

## Physical Dimensions



### Notes:

1. Dimensions in inches
2. Rectangular case
3. Also available in surface mount package

KR Electronics, Inc.  
91 Avenel Street  
Avenel, NJ 07001

Web [www.krfilters.com](http://www.krfilters.com)  
Email [sales@krfilters.com](mailto:sales@krfilters.com)  
Phone (732) 636-1900  
Fax (732) 636-1982