

# KR Electronics, Inc.

## General Description

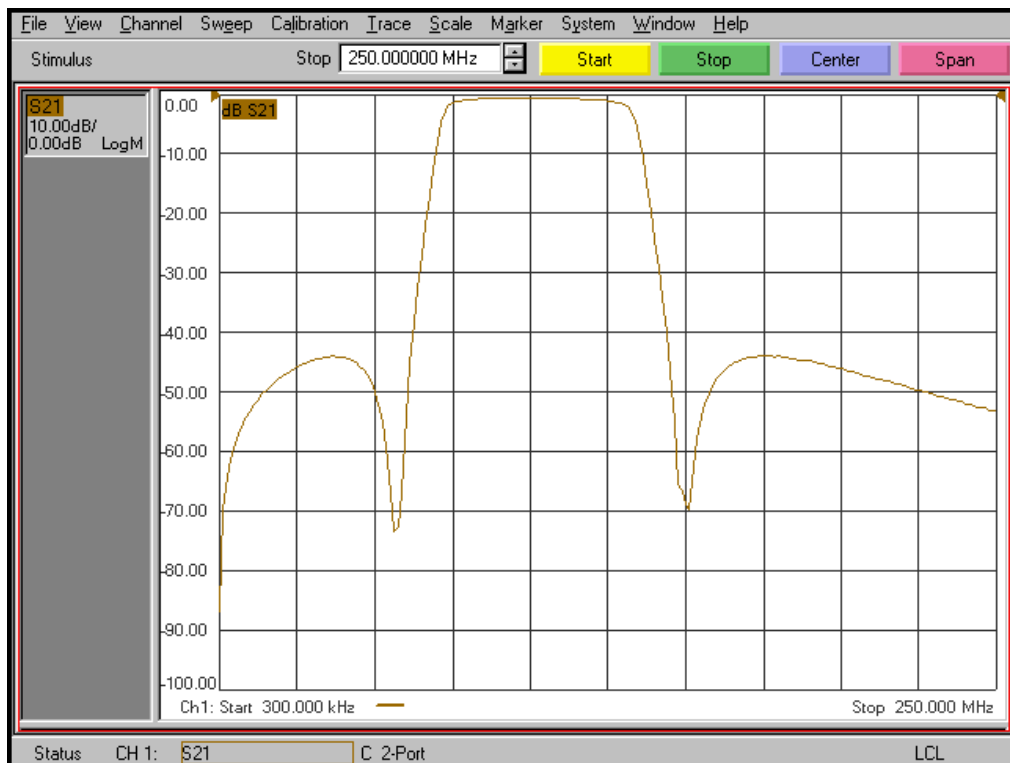
KR Electronics part number 3259-97.5+ is a 97.5 MHz band-pass filter. Other frequencies are available. Please consult the factory.

### Features

- 97.5 MHz Bandpass Filter
- 1 dB Bandwidth 45 MHz min
- Sharp Elliptic Type Design
- 50  $\Omega$  Source and Load
- Surface Mount
- SMA Connectors Available

## Typical Performance

**Overall Response**  
(10 dB/div)

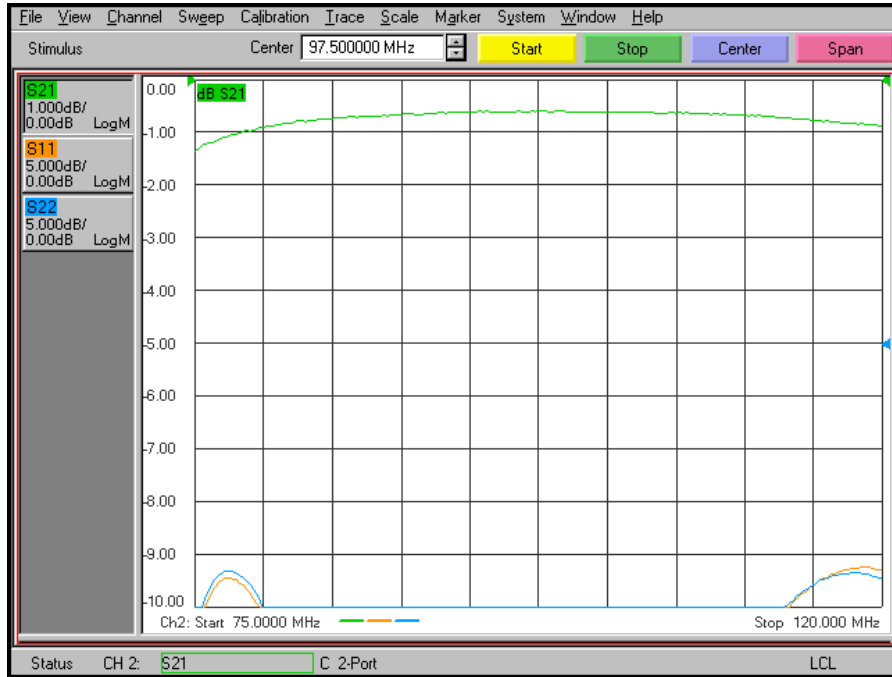


KR Electronics, Inc.  
91 Avenel Street  
Avenel, NJ 07001

Web [www.krfilters.com](http://www.krfilters.com)  
Email [sales@krfilters.com](mailto:sales@krfilters.com)  
Phone (732) 636-1900  
Fax (732) 636-1982

# KR Electronics 3259-97.5+

## Passband Amplitude & Return Loss (1 dB/div & 5 dB/div)



## Overall Response (10 dB/div)



KR Electronics, Inc.  
91 Avenel Street  
Avenel, NJ 07001

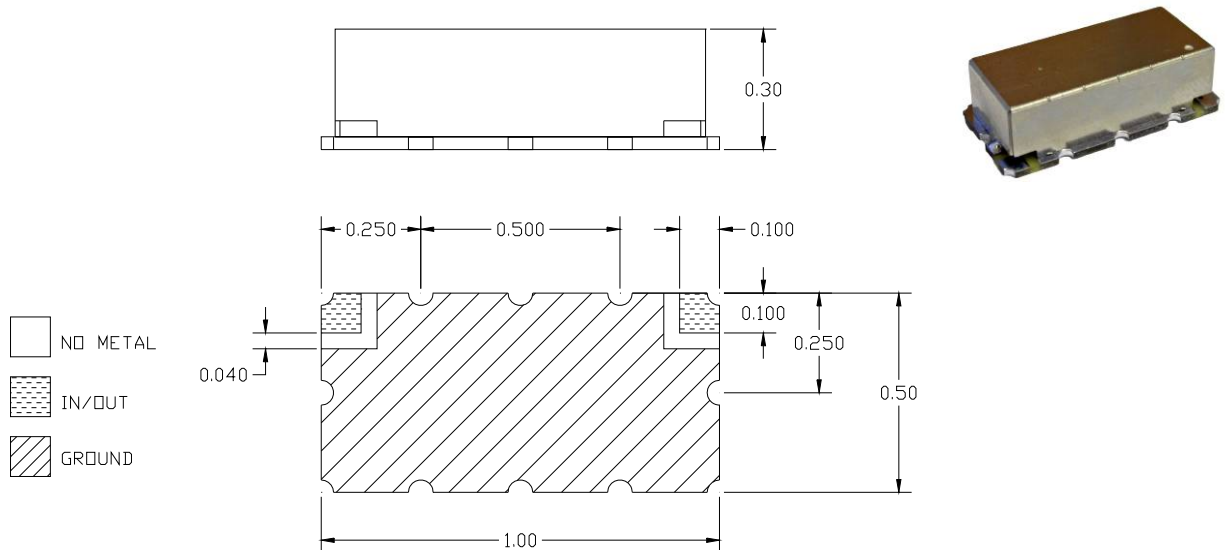
Web [www.krfilters.com](http://www.krfilters.com)  
Email [sales@krfilters.com](mailto:sales@krfilters.com)  
Phone (732) 636-1900  
Fax (732) 636-1982

# KR Electronics 3259-97.5+

## Specifications

Parameter	Specification	Notes
Filter type	Bandpass	
Center Frequency	97.5 MHz	
Insertion Loss	2 dBa max	0.7 dBa typical
1 dB Bandwidth	45 MHz min /55 MHz typical	Passband 75 MHz to 120 MHz
3 dB Bandwidth	61 MHz typical	
Rejection at 62 MHz & 145 MHz	25 dB min	40 dB typical
40 dB Bandwidth	82 MHz typical	
Source and Load	50 $\Omega$	

## Physical Dimensions



**Notes:**

1. Surface mount package
2. Dimensions in inches
3. Max reflow temperature 230° C for 10 sec
4. If boards are cleaned after installation units must be completely dried