

General Description

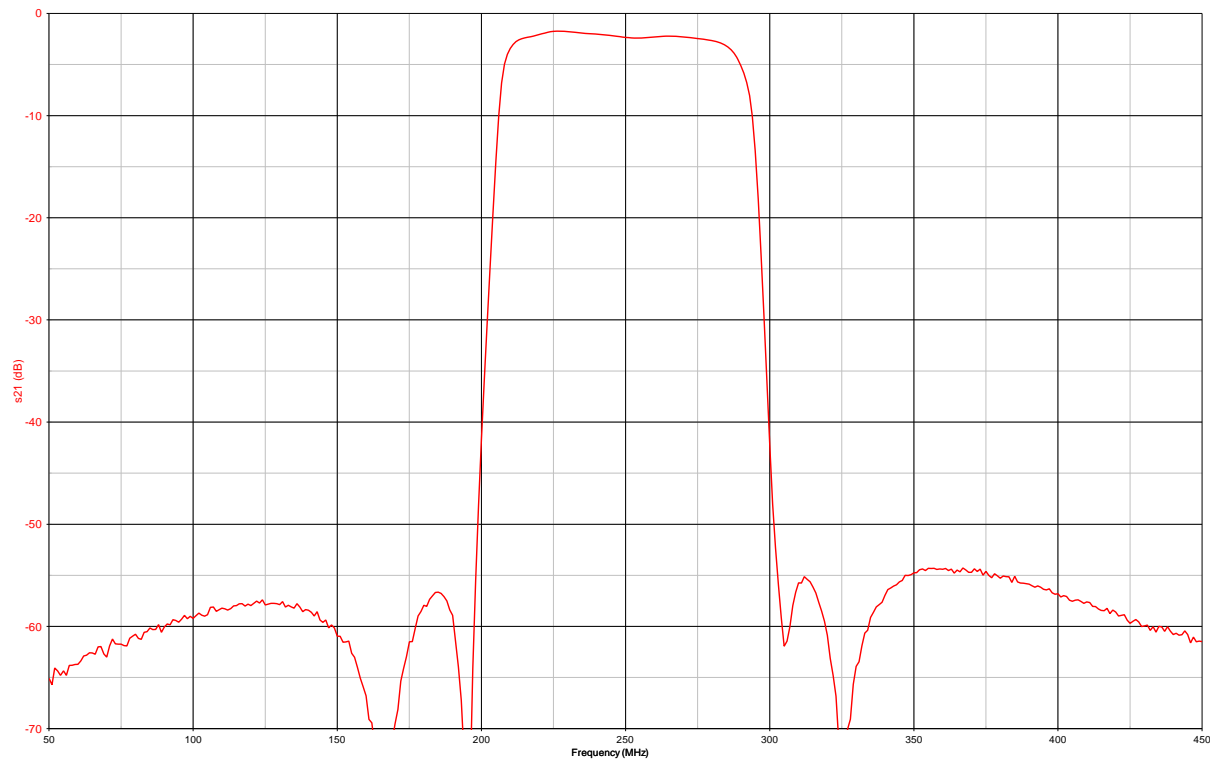
KR Electronics part number 3248-SMA is a 250 MHz group delay equalized bandpass filter. The filter has a min 3 dB minimum bandwidth of 75 MHz. Other frequencies are available. Please consult the factory.

Features

- 250 MHz Bandpass Filter
- Group Delay Equalized
- 3 dB Bandwidth 75 MHz min
- 40 dB Bandwidth 102 MHz max
- Sharp Elliptic Type Design
- 50 Ω Source and Load
- SMA Connectors
- Surface Mount Package Available

Typical Performance

Overall Response
(10 dB/div)

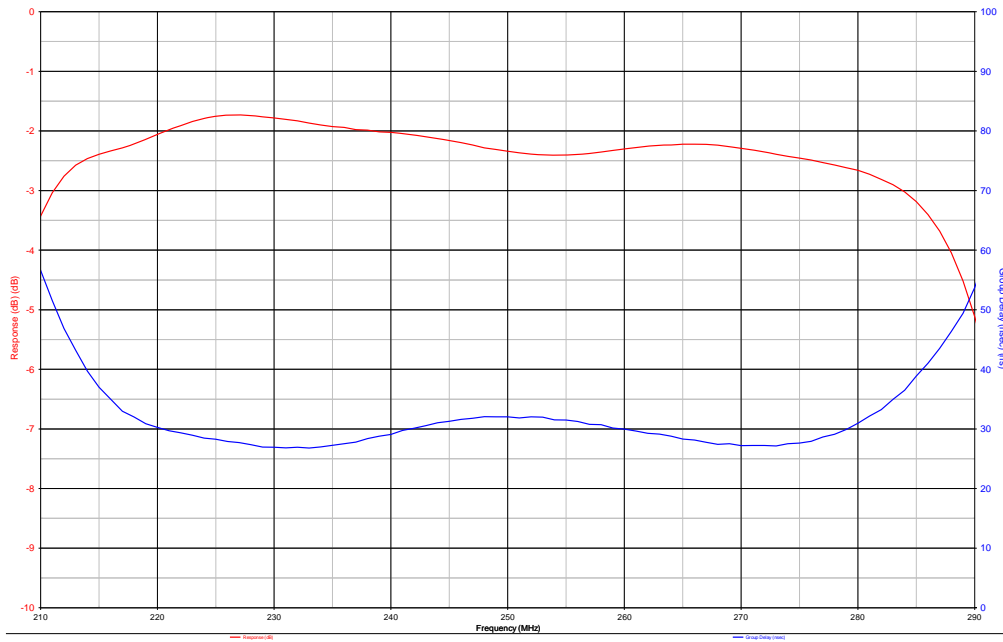


KR Electronics 3248-SMA

Typical Performance

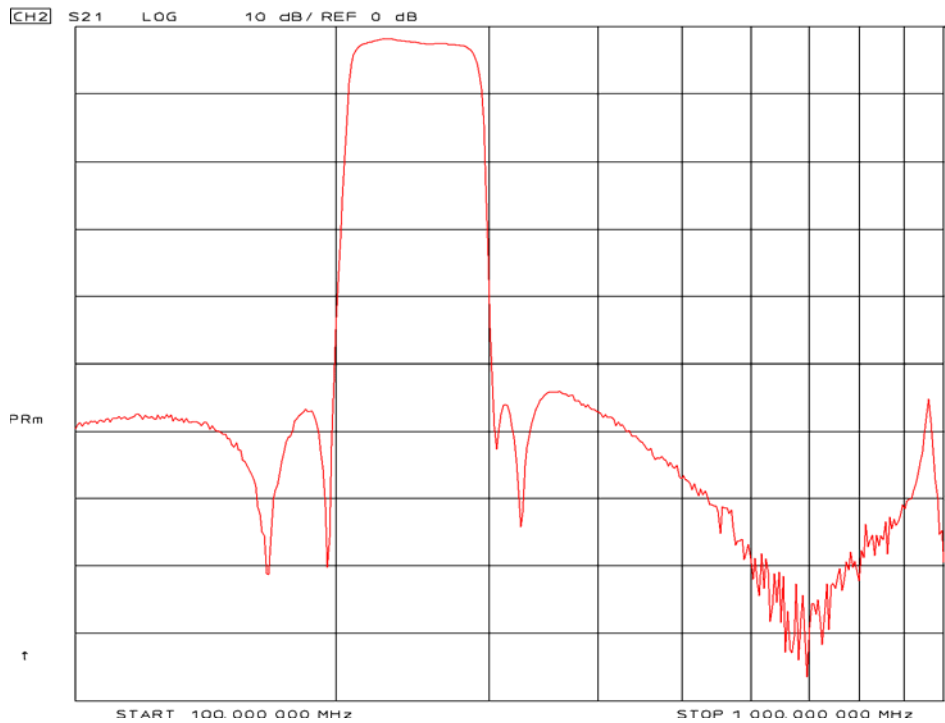
Passband Amplitude & Group Delay

(1 dB/div & 10 nsec/div)



Overall Response

(10 dB/div)



KR Electronics, Inc.
91 Avenel Street
Avenel, NJ 07001

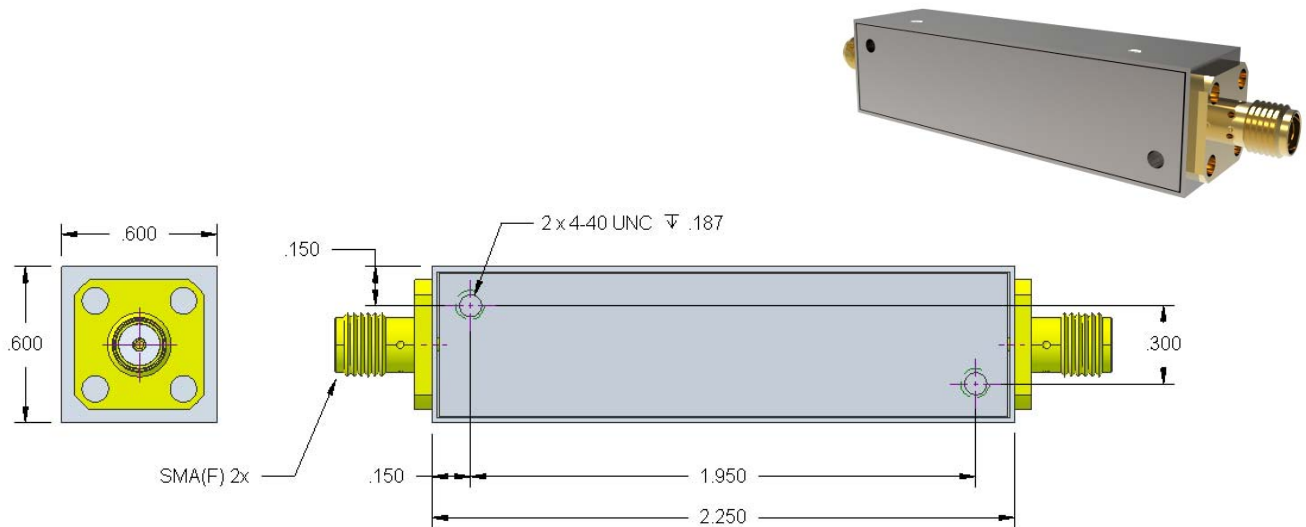
Web www.krfilters.com
Email sales@krfilters.com
Phone (732) 636-1900
Fax (732) 636-1982

KR Electronics 3248-SMA

Specifications

| Parameter | Specification | Notes |
|------------------------|---------------|-----------------|
| Filter type | Bandpass | |
| Center Frequency (Fc) | 250 MHz | |
| Insertion Loss (at Fc) | 4.5 dBa max | 2.5 dBa typical |
| 3 dBc Bandwidth | 75 MHz min | 82 MHz typical |
| 40 dBc Bandwidth | 102 MHz max | 100 MHz typical |
| 50 dBc Bandwidth | 120 MHz max | 104 MHz typical |
| Source and Load | 50 Ω | |
| | | |
| | | |

Physical Dimensions



Notes:

1. Dimensions in inches
2. Rectangular case
3. Also available in surface mount package

KR Electronics, Inc.
91 Avenel Street
Avenel, NJ 07001

Web www.krfilters.com
Email sales@krfilters.com
Phone (732) 636-1900
Fax (732) 636-1982