

General Description

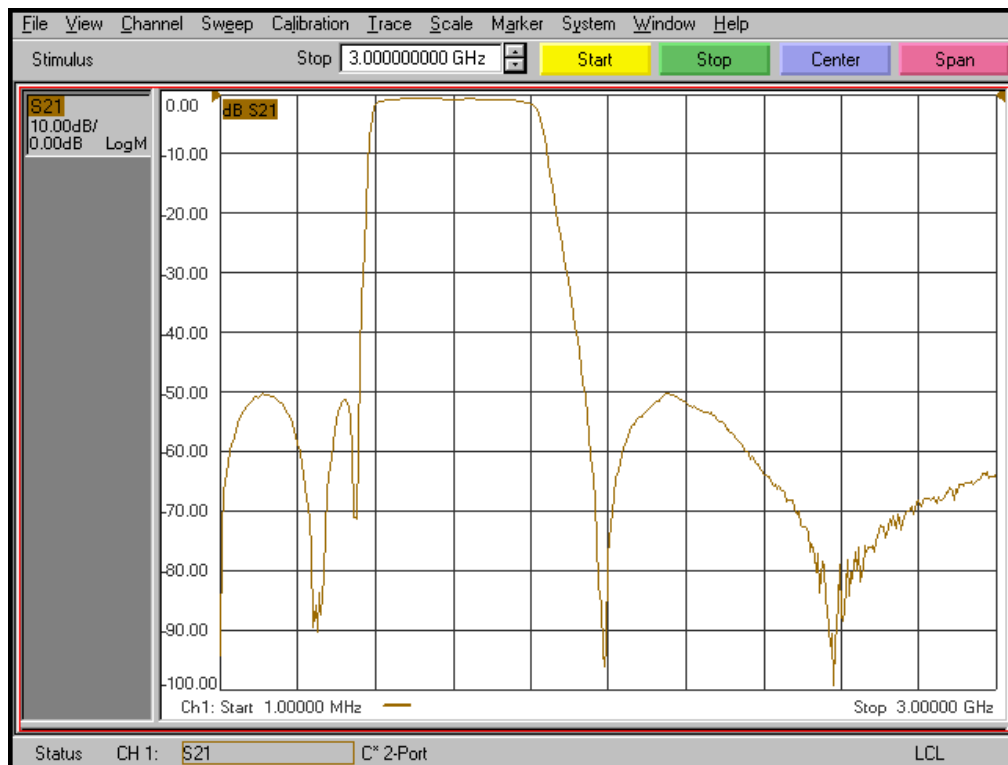
KR Electronics part number 3242-SMA is a 900 MHz band-pass filter. The filter has a min 3 dB bandwidth of 620 MHz. Other frequencies are available. Please consult the factory.

Features

- 900 MHz Bandpass Filter
- 3 dB Bandwidth 620 MHz min
- 40 dB Bandwidth 860 MHz max
- Selective Elliptic Response
- 50 Ω Source and Load
- SMA Connectors
- Surface Mount Package Available

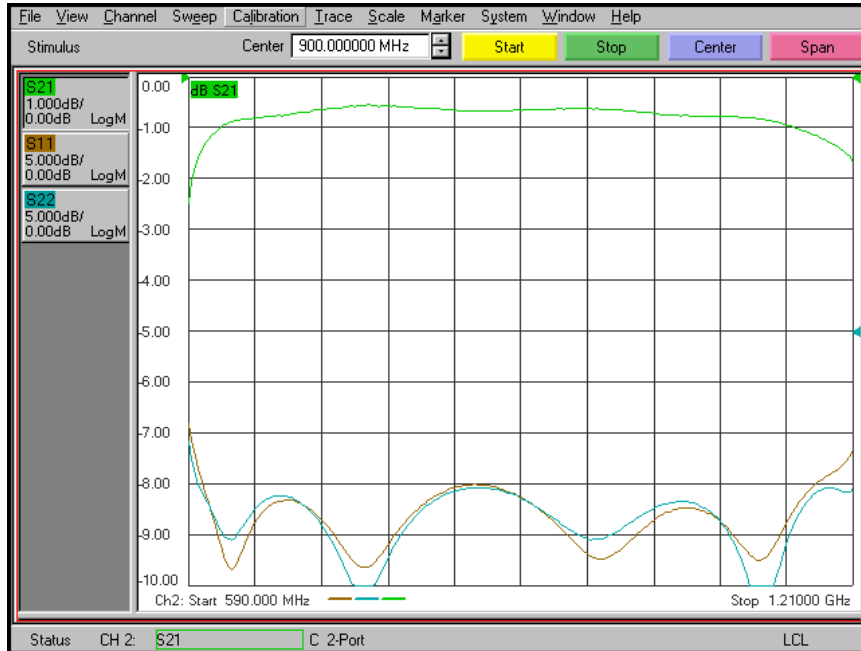
Typical Performance

Overall Response (10 dB/div)



Typical Performance

Passband Amplitude & Return Loss (1 dB/div & 5 dB/div)



Overall Response (10 dB/div)



KR Electronics, Inc.
91 Avenel Street
Avenel, NJ 07001

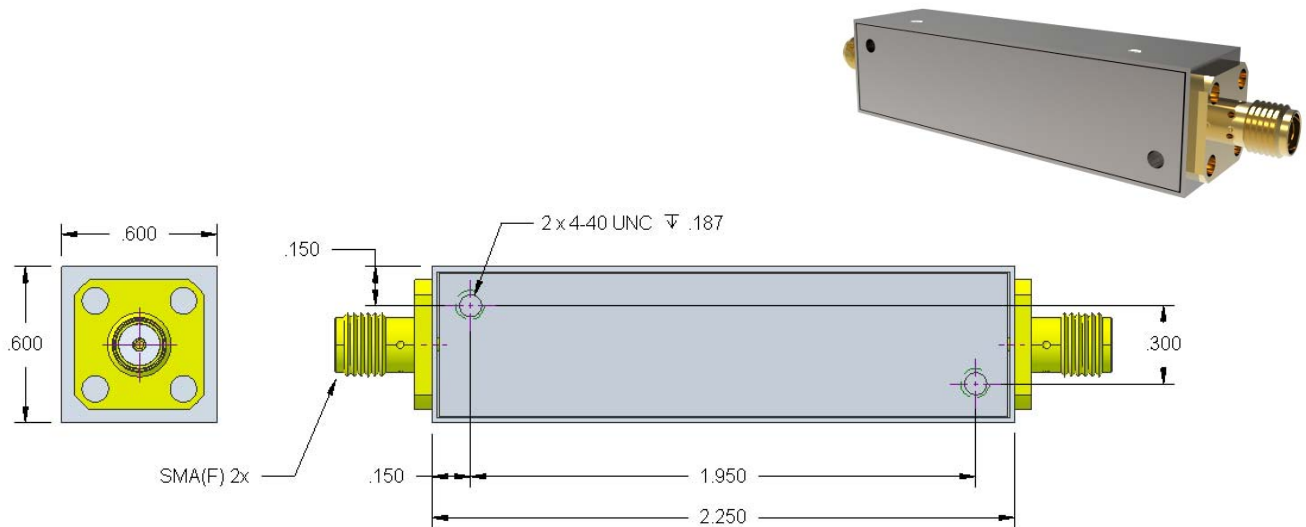
Web www.krfilters.com
Email sales@krfilters.com
Phone (732) 636-1900
Fax (732) 636-1982

KR Electronics 3242-SMA

Specifications

| Parameter | Specification | Notes |
|------------------------|-----------------|----------------------------|
| Filter type | Bandpass | |
| Center Frequency (Fc) | 900 MHz | |
| Insertion Loss (at Fc) | 2 dBa max | 1 dBa typical |
| 3 dBc Bandwidth | 620 MHz min | |
| 20 dBc Bandwidth | 742 MHz typical | |
| 40 dBc Bandwidth | 860 MHz max | 40 dBc maintained to 3 GHz |
| Source and Load | 50 Ω | |
| | | |
| | | |

Physical Dimensions



Notes:

1. Dimensions in inches
2. Rectangular case
3. Also available in surface mount package

KR Electronics, Inc.
91 Avenel Street
Avenel, NJ 07001

Web www.krfilters.com
Email sales@krfilters.com
Phone (732) 636-1900
Fax (732) 636-1982