

KR Electronics, Inc.

General Description

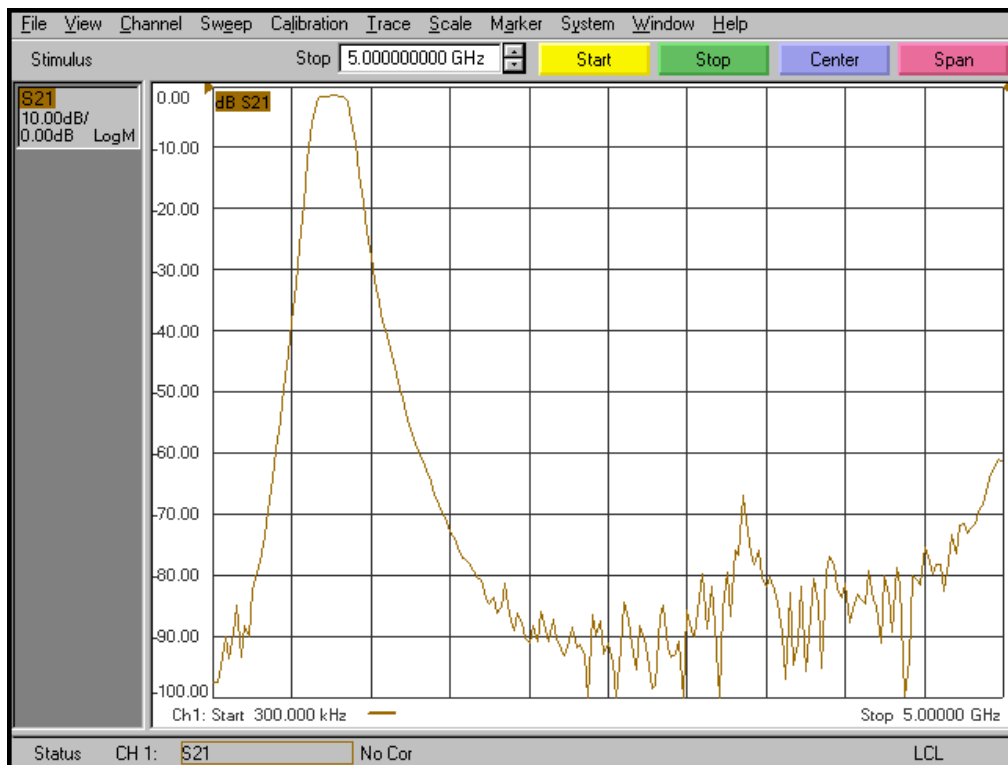
KR Electronics part number 3231-SMA is a 750 MHz band-pass filter. The filter has a min 3 dB bandwidth of 220 MHz. Other frequencies are available. Please consult the factory.

Features

- 750 MHz Bandpass Filter
- 3 dB Bandwidth 220 MHz min
- 40 dB Bandwidth 616 MHz typical
- 50 Ω Source and Load
- SMA Connectors

Typical Performance

Overall Response
(10 dB/div)

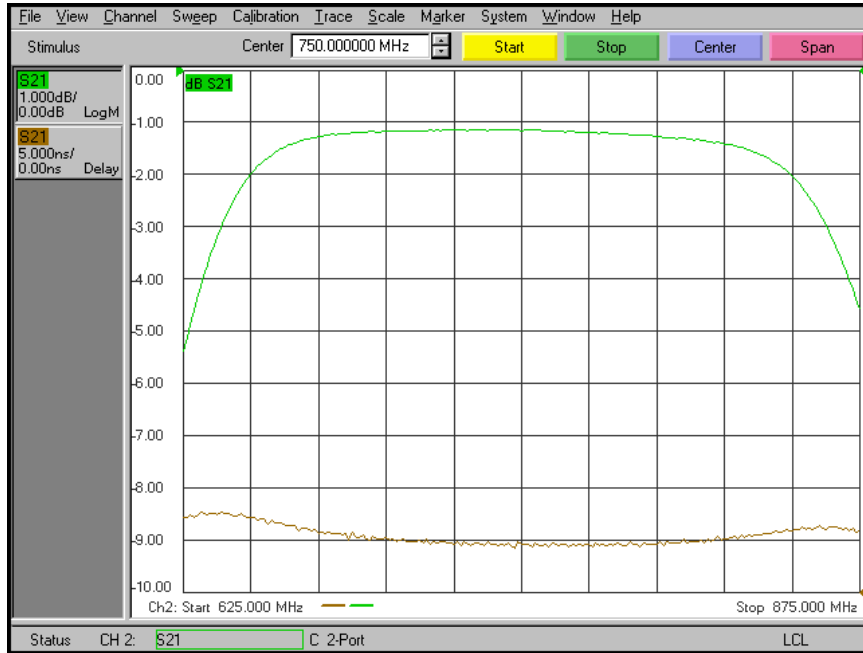


KR Electronics, Inc.
91 Avenel Street
Avenel, NJ 07001

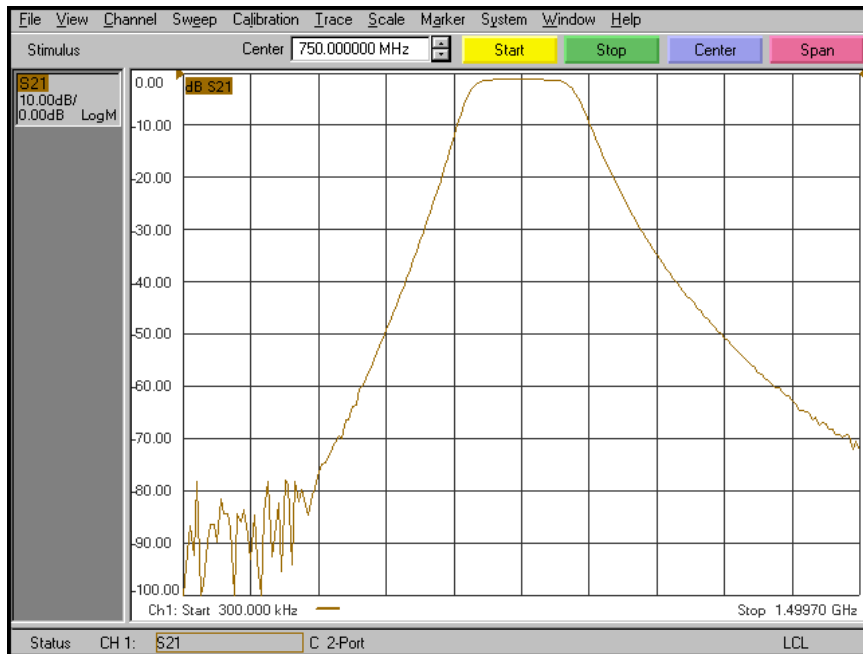
Web www.krfilters.com
Email sales@krfilters.com
Phone (732) 636-1900
Fax (732) 636-1982

Typical Performance

Passband Amplitude & Group Delay
(1 dB/div & 5 nsec/div)



Overall Response
(10 dB/div)



KR Electronics, Inc.
91 Avenel Street
Avenel, NJ 07001

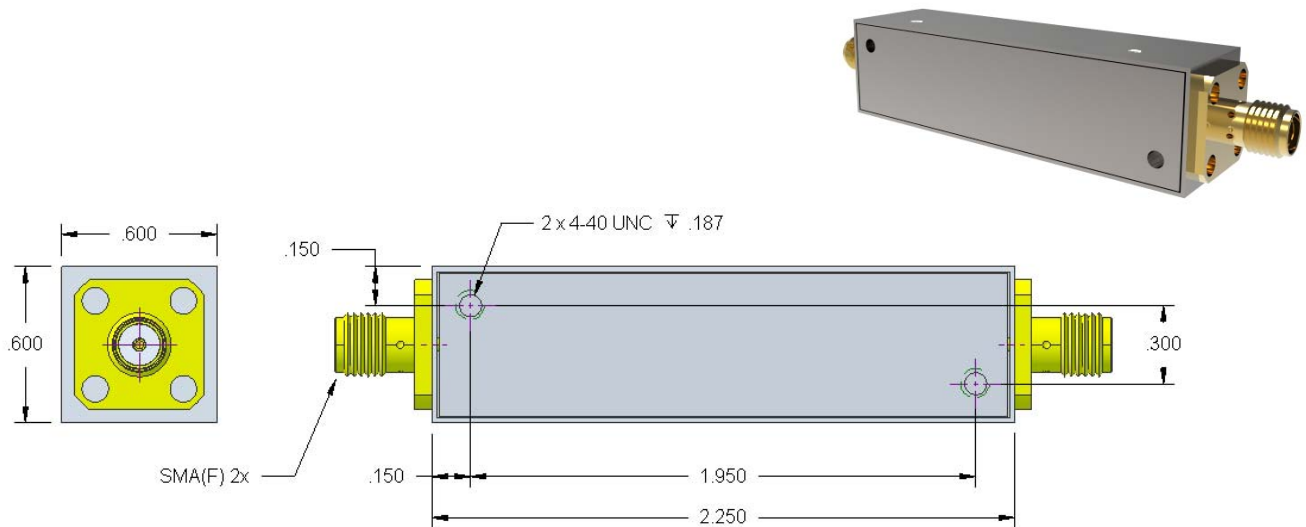
Web www.krfilters.com
Email sales@krfilters.com
Phone (732) 636-1900
Fax (732) 636-1982

KR Electronics 3231-SMA

Specifications

Parameter	Specification	Notes
Filter type	Bandpass	
Center Frequency (Fc)	750 MHz	
Insertion Loss (at Fc)	3 dBa max	1.2 dBa typical
3 dBc Bandwidth	220 MHz min	640 MHz to 860 MHz
20 dBc Bandwidth	391 MHz typical	
40 dBc Bandwidth	616 MHz typical	
50 dBc Bandwidth	764 MHz typical	
60 dBc Bandwidth	939 MHz typical	
Source and Load	50 Ω	

Physical Dimensions



Notes:

1. Dimensions in inches
2. Rectangular case

KR Electronics, Inc.
91 Avenel Street
Avenel, NJ 07001

Web www.krfilters.com
Email sales@krfilters.com
Phone (732) 636-1900
Fax (732) 636-1982