

KR Electronics, Inc.

General Description

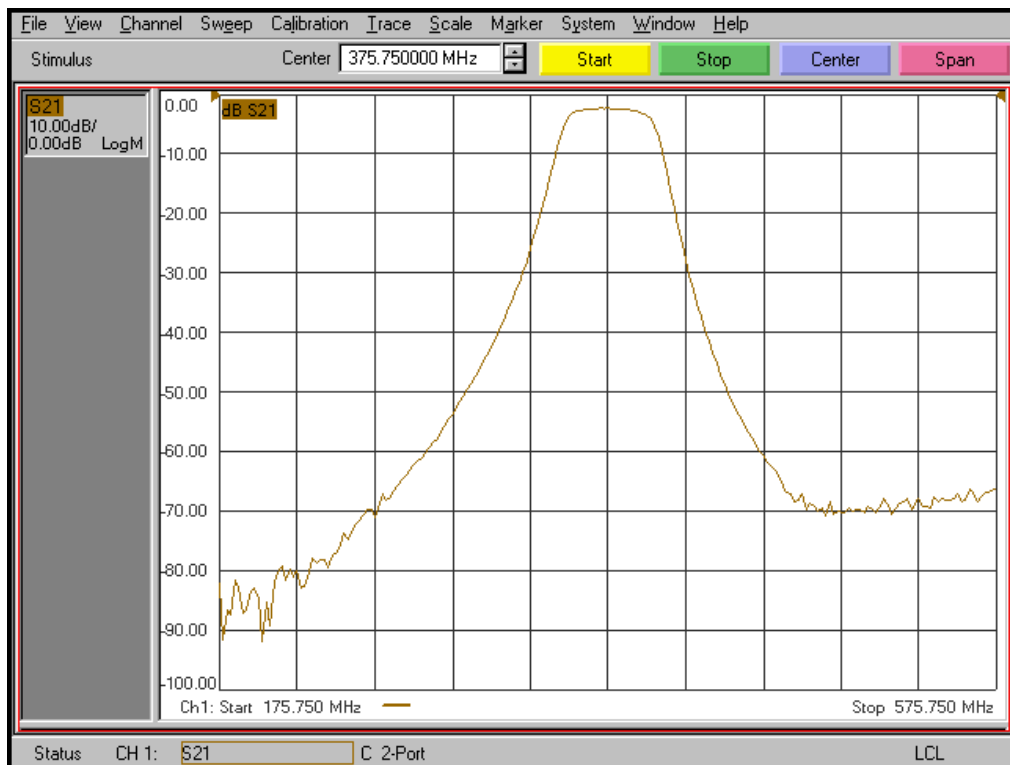
KR Electronics part number 3226 is a 375.75 MHz bandpass filter. The filter has a minimum 3 dB bandwidth of 40 MHz. Other center frequencies and bandwidths are available. Please consult the factory.

Features

- 375.75 MHz Bandpass Filter
- 3 dB Bandwidth 40 MHz min
- 50 Ω Source and Load
- Surface Mount
- Also available with SMA Connectors

Typical Performance

Overall Response (10 dB/div)



KR Electronics, Inc.
91 Avenel Street
Avenel, NJ 07001

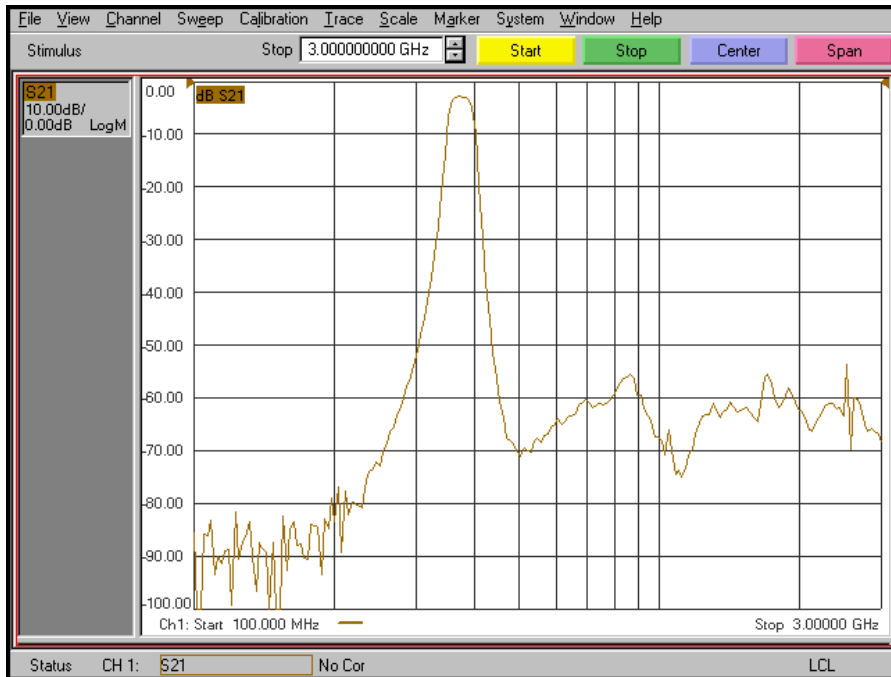
Web www.krfilters.com
Email sales@krfilters.com
Phone (732) 636-1900
Fax (732) 636-1982

KR Electronics 3226

Passband Amplitude & Group Delay (1 dB/div & 10 nsec/div)



Overall Response (10 dB/div)



KR Electronics, Inc.
91 Avenel Street
Avenel, NJ 07001

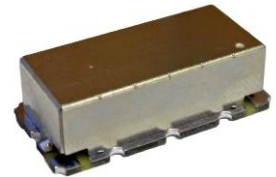
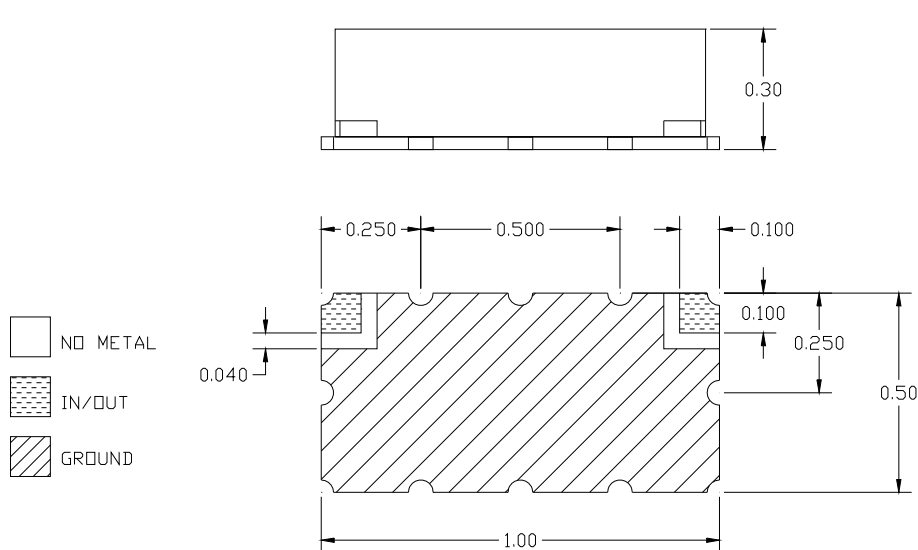
Web www.krfilters.com
Email sales@krfilters.com
Phone (732) 636-1900
Fax (732) 636-1982

KR Electronics 3226

Specifications

Parameter	Specification	Notes
Filter type	Bandpass	
Center Frequency	375.75 MHz	
Insertion Loss	3.5 dBa max	2.4 dBa typical
1 dB Bandwidth	37 MHz typical	
3 dB Bandwidth	40 MHz min	46 typical
40 dB Bandwidth	113 MHz typical	
50 dB Bandwidth	143 MHz typical	50 dB min at 275 MHz & 475 MHz
Source and Load	50 Ω	

Physical Dimensions



Notes:

1. Surface mount package
2. Dimensions in inches
3. Max reflow temperature 230° C for 10 sec
4. If boards are cleaned after installation units must be completely dried